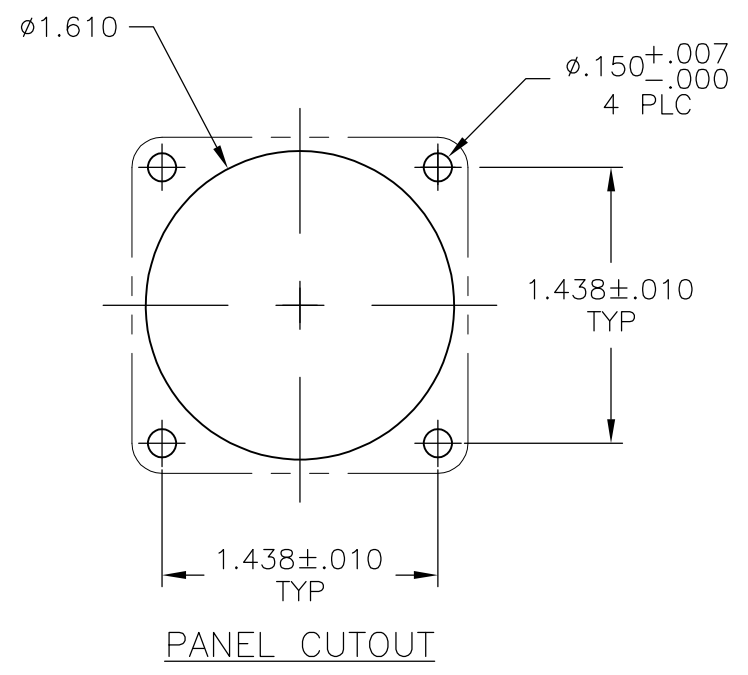
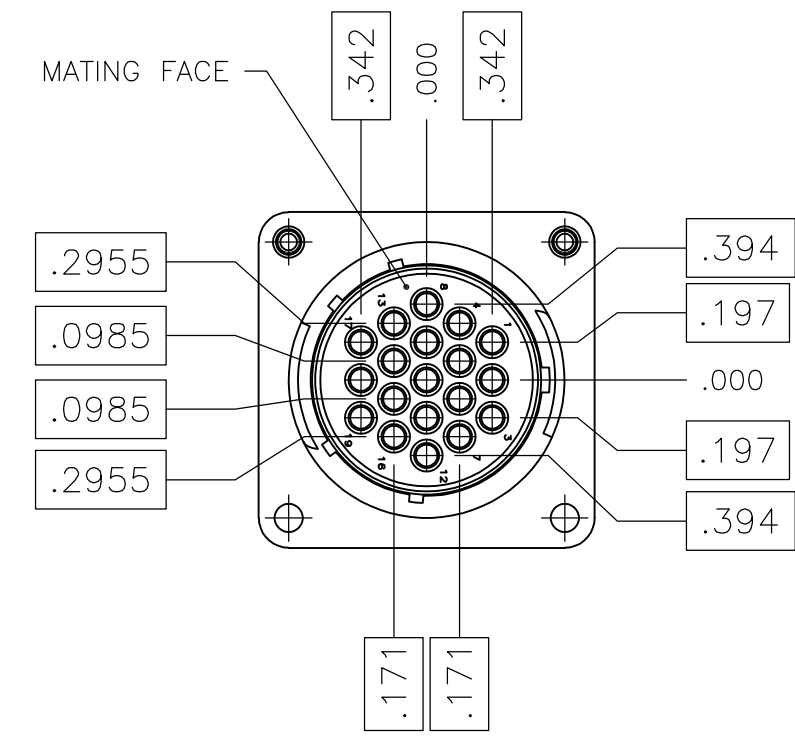
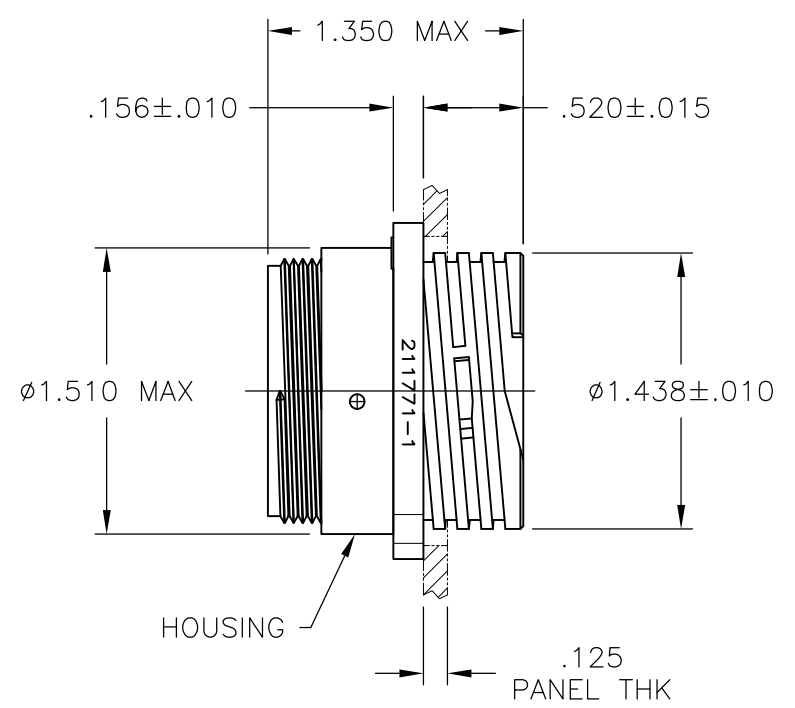
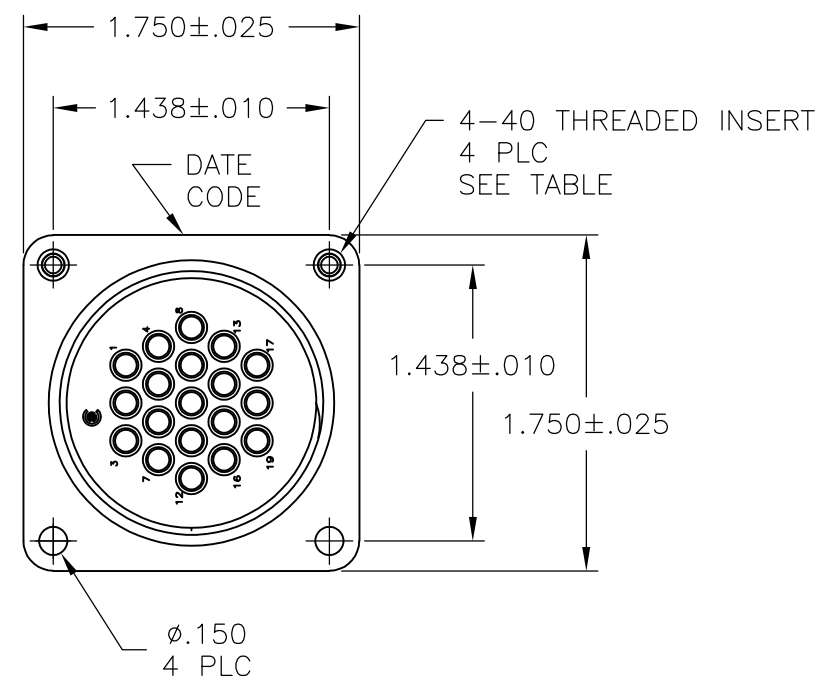


THIS DRAWING IS UNPUBLISHED. RELEASED FOR PUBLICATION
 © COPYRIGHT - By - ALL RIGHTS RESERVED.

REVISIONS					
P	LTR	DESCRIPTION	DATE	DWN	APVD
	D1	REVISED PER ECO-11-004917	11MAR11	RK	HMR
	E	REVISED PER ECO-16-015839	03NOV2016	RS	MZ

NOTES:

- ① HOUSING: NYLON, BLACK.
THREADED INSERTS: BRASS.
- 2 WILL ACCEPT (19) MULTIMATE PIN CONTACTS.



YES	NORMAL	211771-2
NO	NORMAL	211771-1
4-40 THREADED INSERTS	KEYING	PART NUMBER

THIS DRAWING IS A CONTROLLED DOCUMENT.		DWN C.OBERMAN 8-16-94	TE Connectivity			
DIMENSIONS: INCHES		CHK R.STONE 8-17-94				
TOLERANCES UNLESS OTHERWISE SPECIFIED:		APVD - 10-3-94 A.FRANTUM	NAME			
0 PLC ± - 1 PLC ± - 2 PLC ± .005 3 PLC ± - 4 PLC ± - ANGLES ± -		PRODUCT SPEC - 10-3-94 A.FRANTUM	RECEPTACLE HOUSING, STD SEX, SERIES I, SHELL SIZE 23, CPC			
MATERIAL		APPLICATION SPEC -	SIZE	CAGE CODE	DRAWING NO	RESTRICTED TO
FINISH -		WEIGHT	A3	00779	C-211771	-
CUSTOMER DRAWING			SCALE	SHEET	REV	
			1:1	1 OF 1	E	