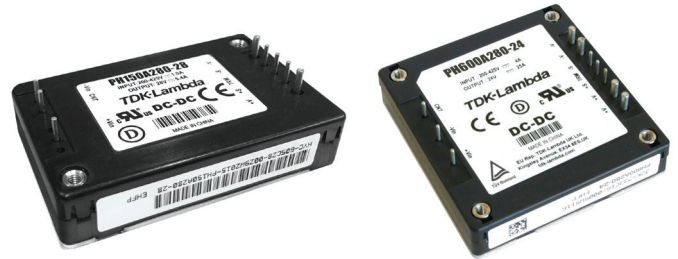


## 50W to 600W, 200 to 425VDC Input DC-DC Converters

<https://product.tdk.com/en/power/ph-a>  
[www.emea.lambda.tdk.com/ph-a](http://www.emea.lambda.tdk.com/ph-a)



The PH-A series of isolated DC-DC converters operate from a wide range 200 to 425Vdc input and are available in multiple power levels from 50 to 600W. Output voltages cover 3.3V to 48V and can be adjusted using the trim terminal by up to -60% to +20%. All models feature remote sense and remote on/off and can be conduction cooled to a cold plate or mounted with an optional heatsink. The 300 and 600W models are certified to EN 62477-1 (OVC III) for use in industrial robots connected to an incoming distribution panel, avoiding the requirement for an isolation transformer. These efficient converters are also well suited for HVDC (High Voltage Direct Current) power transmission systems and renewable energy applications.

Features	Benefits
• Wide Range 200 to 425Vdc Input	• Suitable for HVDC Applications
• Baseplate Cooled	• Can be Conduction or Convection Cooled (With an Optional Heatsink)
• -40 to 100°C Baseplate Temperature	• Operates in Harsh Environments
• Certified to IEC/EN62477-1 (OVC III)	• No External Transformer Needed
• Up to 93% Efficient	• Easier To Cool In the End System

Model Selector							
Model	Output Voltage (V)	Adjustment Range (V)	Maximum Current (A)	Maximum Power (W)	Input Current (A) 280V input, 100% load	Efficiency (%) 280V input, 100% load	Ovoltage Protection (%) <sup>(2)</sup>
PH75A280-3.3	3.3	2.97 - 3.96	15	49.5	0.22	83	130 - 200
PH100A280-3.3	3.3	2.97 - 3.96	20	66	0.29	83	130 - 200
PH50A280-5	5	4 - 6	10	50.0	0.21	86	125 - 150
PH75A280-5	5	4 - 6	15	75.0	0.32	86	125 - 150
PH100A280-5	5	4 - 6	20	100.0	0.42	86	125 - 150
PH300A280-5	5	2.5 - 6	60	300.0	1.22	89	125 - 145
PH50A280-12	12	9.6 - 13.2	4.2	50.4	0.2	89	115 - 145
PH75A280-12	12	9.6 - 13.2	6.3	75.6	0.31	89	115 - 145
PH100A280-12	12	9.6 - 13.2	8.4	100.8	0.41	89	115 - 145
PH150A280-12	12	9.6 - 13.2	12.5	150.0	0.62	88	115 - 145
PH300A280-12	12	4.8 - 14.4	25	300.0	1.22	89	125 - 145
PH75A280-15	15	12 - 16.5	5	75.0	0.3	90	115 - 145
PH150A280-15	15	12 - 16.5	10	150.0	0.6	90	115 - 145
PH50A280-24	24	19.2 - 26.4	2.1	50.4	0.2	89	115 - 145
PH75A280-24	24	19.2 - 26.4	3.2	76.8	0.31	90	115 - 145
PH100A280-24	24	19.2 - 26.4	4.2	100.8	0.4	90	115 - 145
PH150A280-24	24	19.2 - 26.4	6.3	151.2	0.61	89	115 - 145
PH300A280-24	24	9.6 - 28.8	12.5	300.0	1.2	90.5	125 - 145
PH600A280-24	24	14.4 - 28.8	25	600.0	2.33	93	125 - 145
PH75A280-28	28	22.4 - 30.8	2.7	75.6	0.3	90	115 - 145
PH150A280-28	28	22.4 - 30.8	5.4	151.2	0.61	90	115 - 145
PH300A280-28	28	11.2 - 33.6	10.8	302.4	1.2	91	125 - 145
PH50A280-48	48	38.4 - 52.8	1.1	52.8	0.21	89	115 - 145
PH75A280-48	48	38.4 - 52.8	1.6	76.8	0.31	90	115 - 145
PH100A280-48	48	38.4 - 52.8	2.1	100.8	0.4	90	115 - 145
PH150A280-48	48	38.4 - 52.8	3.2	153.6	0.6	90	115 - 145
PH300A280-48	48	19.2 - 57.6	6.3	302.4	1.19	92	125 - 145

Options	
Suffix	Description
Blank	M3 tapped mounting inserts
/T	3.3mm non-threaded inserts

Heat Sink Accessories	
Suffix	Description
<a href="#">HAQ-10T</a>	PH50A to 150A 25mm transverse fins
<a href="#">HAH-10T</a>	PH300A and 600A 25mm transverse fins
<a href="#">HAH-15L</a>	PH300A and 600A 38mm longitudinal fins

Related Products		
Type	Part Number	Description
DC-DC Converters	<a href="#">PH-A series</a>	1200W, 200 to 425V Input DC-DC Converters
DC-DC Converters	<a href="#">CN200B110 to CN300B110</a>	200 to 300W, 43 to 160V Input DC-DC Converters

Specifications		
Model	PH50A to PH150A	PH300A to PH600A
<b>Input</b>		
Input Voltage range	Vdc	200 - 425
Input Current (280Vdc)	A	See model selector
No Load Power Consumption	W	See evaluation data on website
Efficiency (280Vdc)	-	See model selector
Safety Certifications and Markings	-	IEC/UL/CSA/EN62368-1, 60950-1, EN62477-1 OVC III (PH300A and 600A only), CE Mark and UKCA Mark
<b>Output</b>		
Line Regulation	mV	3.3V - 5V: 10; 12V: 24; 15V: 30, 24V: 48, 28V: 56, 48V: 96
Load Regulation	mV	3.3V - 5V: 10; 12V: 24; 15V: 30, 24V: 48, 28V: 56, 48V: 96
Ripple & Noise	mV	3.3V - 5V: 100; 12V - 15V: 150; 24V: 240, 28V: 280, 48V: 400 (1)
Temperature Coefficient	%/°C	0.02
Minimum Load	-	No minimum load required
Overcurrent Protection	%	102 - 150 Constant current style. (PH600A constant current and hiccup)
Overvoltage Protection	V	Yes, see model selector
Remote Sense	-	Yes
Remote On/Off	-	Yes; Low = ON, High = OFF
Parallel Operation	-	Not possible
Series Operation	-	Possible, see installation manual
<b>Environmental</b>		
Operating Temperature	°C	-40 to +100 Base-plate, -40 to +85 Ambient (See derating section)
Storage Temperature	°C	-40 to +100
Humidity (non condensing)	%RH	5 - 95 Operating and Non Operating
Cooling	-	Conduction, convection or forced air (See Installation Manual for heatsink selection)
Altitude	m	3,000
Withstand Voltage (For 1 minute)	Vac	Input to Base-plate: 2,500; Input to Output 3,000; Output to Base-plate: 500
Isolation Resistance	MΩ	>100 at 25°C, 70%RH & 500Vdc
Vibration	-	Non Operating, 10-55Hz (sweep for 1 min.) Amplitude 0.825mm constant (Max 49 m/s <sup>2</sup> ) X,Y,Z 1 hour each
Shock	-	196.1m/s <sup>2</sup>
<b>Other</b>		
Weight (Typ)	g	55
Size (WxHxD)	mm	37.2 x 12.7 x 58.3
Size (WxHxD)	Inches	1.46 x 0.5 x 2.30
MTBF - Telcordia SR-332 issue 3 (3)	Hours	2 128,235
Warranty	yrs	5 years

Notes

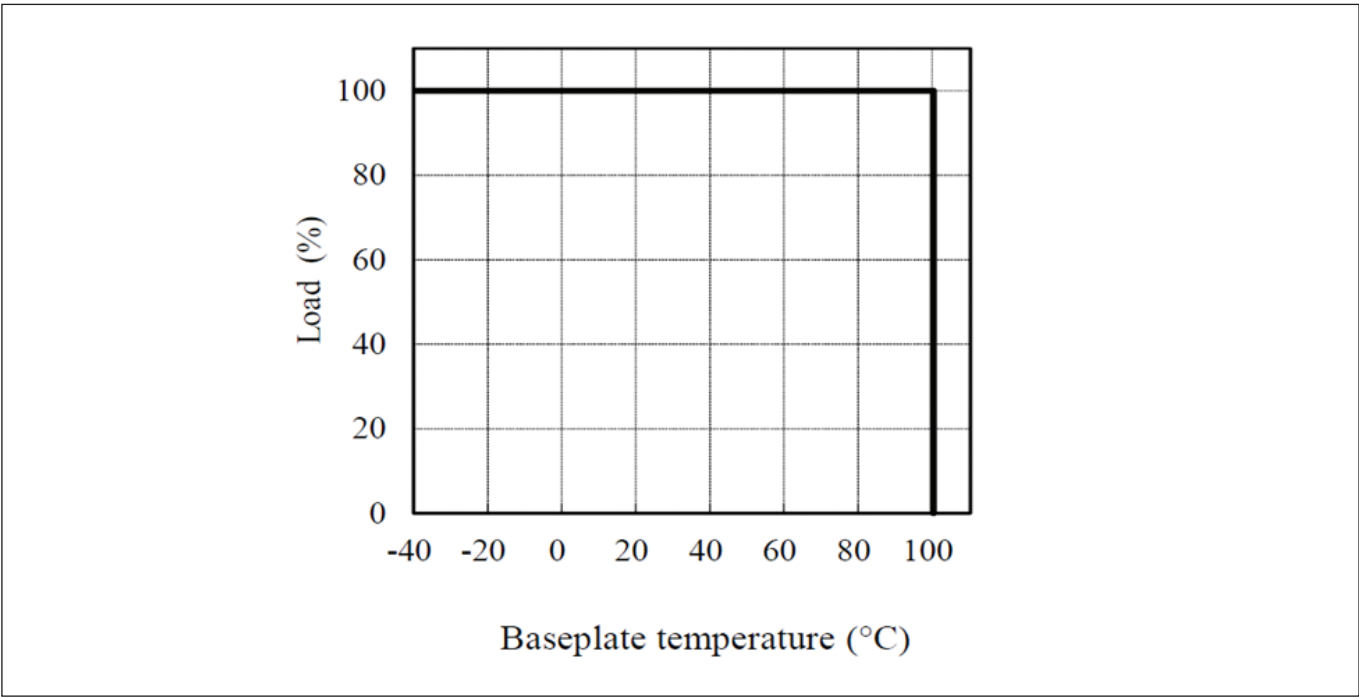
See website for detailed specifications, test methods and installation manual

(1) PH300A280-48 480mV

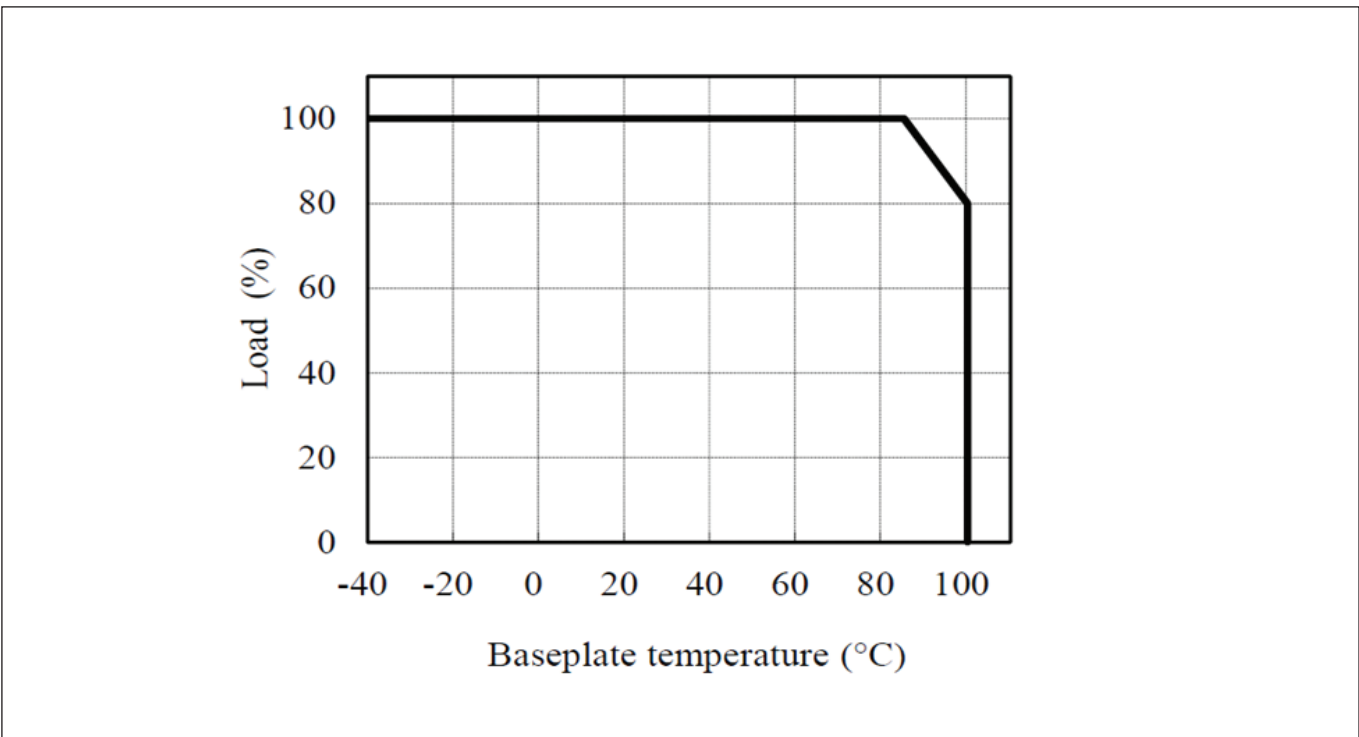
(2) Cycle input or remote on/off to reset

(3) PH100A280-48 model, 40°C baseplate, full load, 280Vdc input. PH300A280-24 model, 40°C baseplate, full load, 280Vdc input, ground benign (See full reliability data on website)

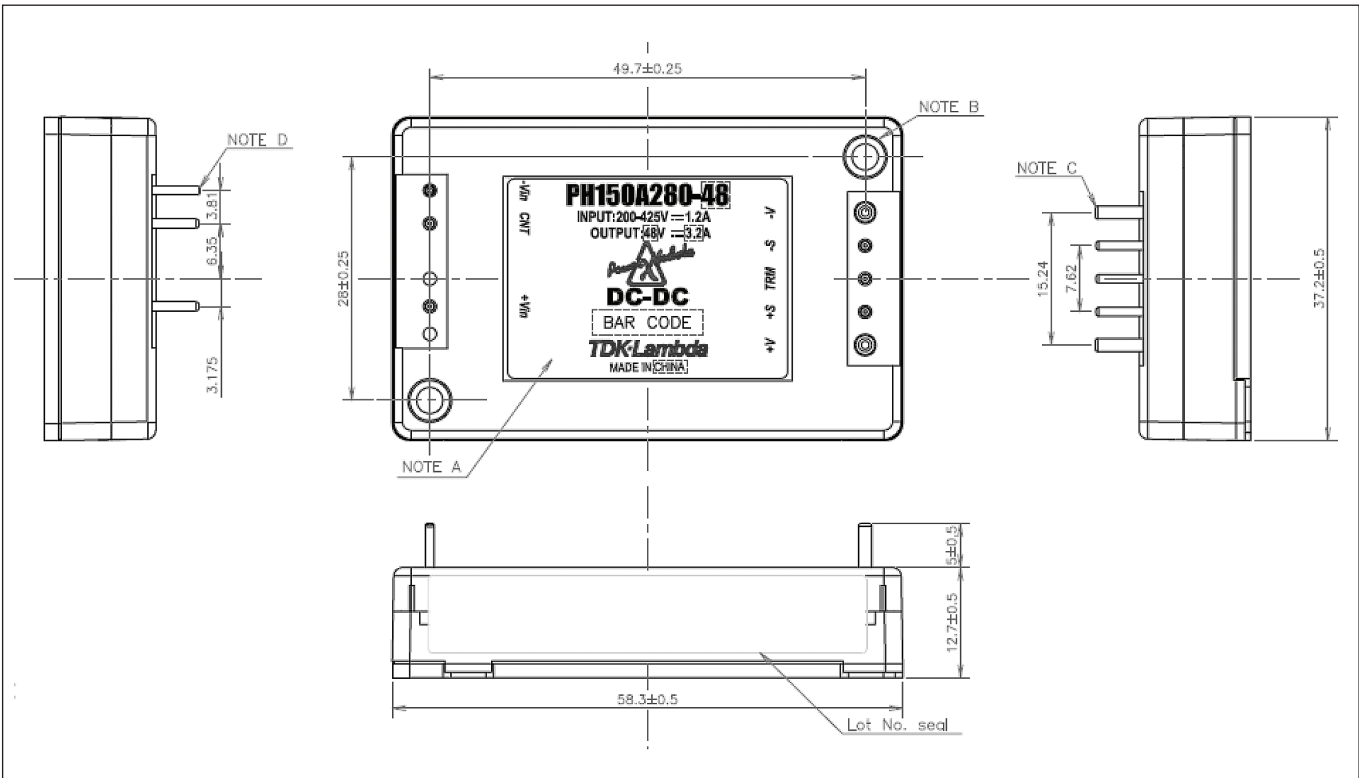
**Derating Curve (PH50A to PH300A)**



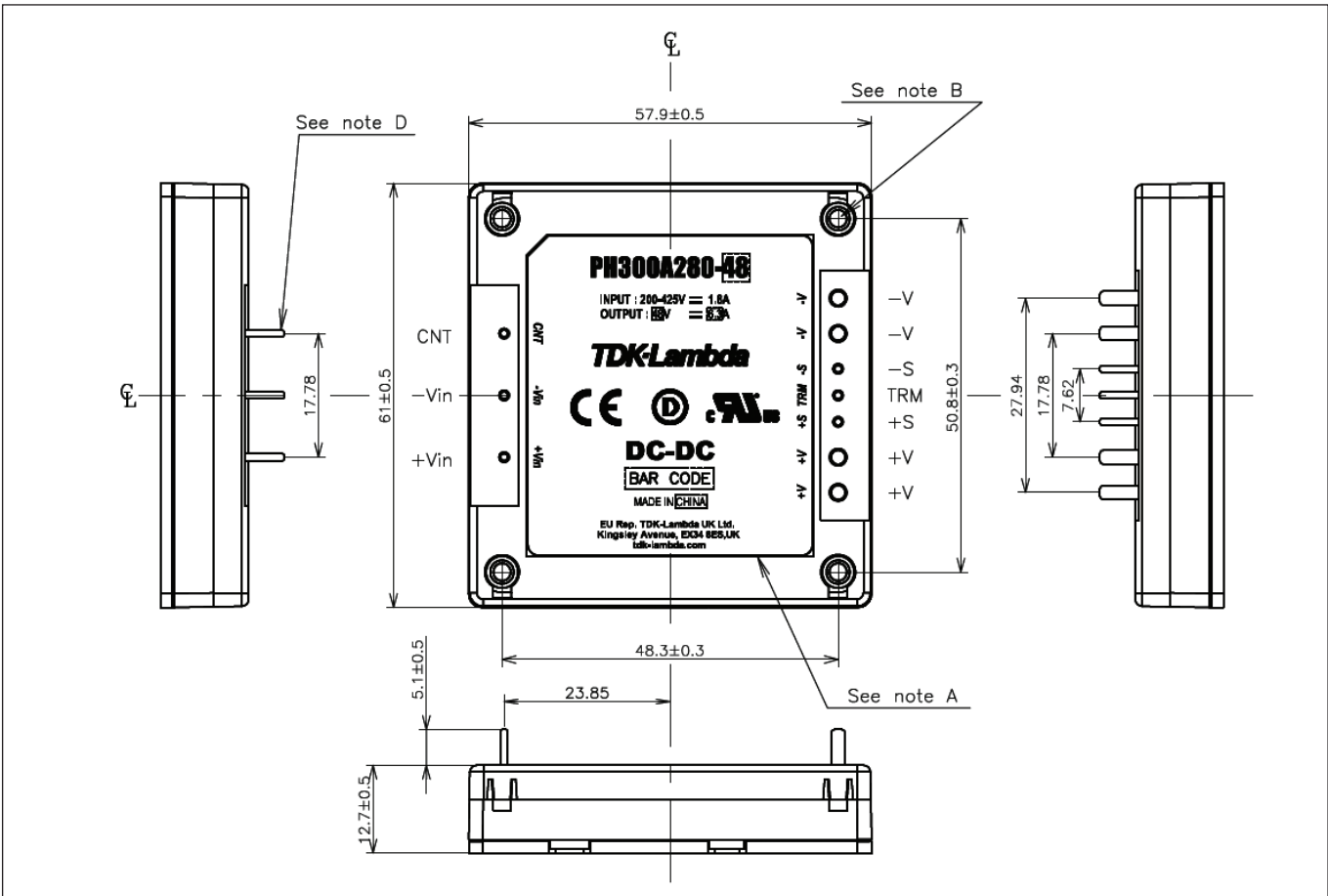
**Derating Curve (PH600A)**



**Outline Drawing PH50A to PH150A**



**Outline Drawing PH300A to PH600A**





**TDK-Lambda France SAS**

Tel: +33 1 60 12 71 65  
 tlf.fr.powersolutions@tdk.com  
 www.emea.lambda.tdk.com/fr



**Italy Sales Office**

Tel: +39 02 61 29 38 63  
 tlf.it.powersolutions@tdk.com  
 www.emea.lambda.tdk.com/it



**Netherlands**

tlf.nl.powersolutions@tdk.com  
 www.emea.lambda.tdk.com/nl



**TDK-Lambda Germany GmbH**

Tel: +49 7841 666 0  
 tlg.powersolutions@tdk.com  
 www.emea.lambda.tdk.com/de



**Austria Sales Office**

Tel: +43 2256 655 84  
 tlg.at.powersolutions@tdk.com  
 www.emea.lambda.tdk.com/at



**Switzerland Sales Office**

Tel: +41 44 850 53 53  
 tlg.ch.powersolutions@tdk.com  
 www.emea.lambda.tdk.com/ch



**Nordic Sales Office**

Tel: +45 8853 8086  
 tlg.dk.powersolutions@tdk.com  
 www.emea.lambda.tdk.com/dk



**TDK-Lambda UK Ltd.**

Tel: +44 (0) 12 71 85 66 66  
 tlu.powersolutions@tdk.com  
 www.emea.lambda.tdk.com/uk



**TDK-Lambda Ltd.**

Tel: +9 723 902 4333  
 tli.powersolutions@tdk.com  
 www.emea.lambda.tdk.com/il-en



**TDK-Lambda Americas**

Tel: +1 800-LAMBDA-4 or 1-800-526-2324  
 tla.powersolutions@tdk.com  
 www.us.lambda.tdk.com



**TDK Electronics do Brasil Ltda**

Tel: +55 11 3289-9599  
 sales.br@tdk-electronics.tdk.com  
 www.tdk-electronics.tdk.com/en



**TDK-Lambda Corporation**

Tel: +81-3-6778-1113  
 www.jp.lambda.tdk.com



**TDK-Lambda (China) Electronics Co. Ltd.**

Tel: +86 21 6485-0777  
 tlc.powersolutions@tdk.com  
 www.lambda.tdk.com.cn



**TDK-Lambda Singapore Pte Ltd.**

Tel: +65 6251 7211  
 tfs.marketing@tdk.com  
 www.sg.lambda.tdk.com



**TDK India Private Limited, Power Supply Division**

Tel: +91 80 4039-0660  
 mathew.philip@tdk.com  
 www.sg.lambda.tdk.com

