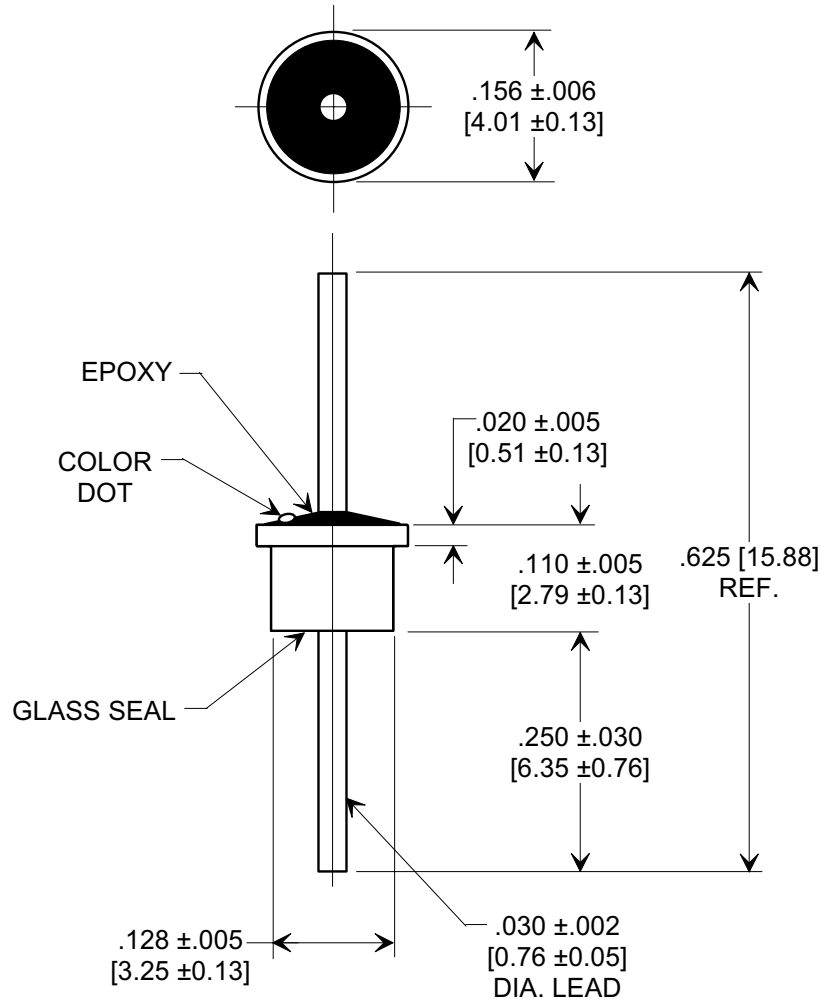


MARKETING SALES DRAWING
 DIMENSIONS IN INCHES - DO NOT SCALE THIS DRAWING
 DIMENSIONS IN METRIC - []

Electrical Testing
 per Tusonix standard
 test plans and Mil-Std-202
 Test Methods.



NOTES:

- Operating temperature range: -55°C to +125°C.
- Gold plated case and lead.
- Epoxy sealed on opposite end from glass seal.
- Max. recommended soldering temperature: 260°C.
See installation recommendations.
- Recommended mounting hole: .135 dia.
- Solder preform available for mounting.
- Tusonix Standard part number: 4300-009.
Tusonix RoHS compliant part number: 4300-009 LF.
Customer must specify Standard or RoHS part number when ordering.
- RoHS compliant part marked with additional dark green dot for identification.

| Cx (pF) | TOL. | DC WORKING VOLTAGE | | DC CURRENT (AMPS) | DWV (VDC) | IR MIN. @100 VDC | MIN. NO LOAD INSERTION LOSS (dB) @ 25° C PER MIL-STD-220 | | | | | COLOR CODE |
|---------|------|--------------------|-------|-------------------|-----------|------------------|--|--------|---------|------|--------|------------|
| | | 85°C | 125°C | | | | 1 MHz | 10 MHz | 100 MHz | 1GHz | 10 GHz | |
| 25 | GMV | 300 | 200 | 5 | 500 | 10 G | --- | --- | --- | 10 | 25 | BLUE |

| | | | | |
|--|------------------------|---|--------------------------------|--|
| X-2015 Rev-0 REVISION RECORD Original Release C.O. 20020524-2-01 ADDED NOTES 7 & 8. S.M. 05-23-05 20020524-2-01 | 0 | --TOLERANCES-- Unless Otherwise Specified DECIMAL ± ANGLES ± | Title | |
| | 1 | | SOLDER MOUNT EMI FILTER | |
| | Drawn S.M. 05-28-02 | | Scale 5 X | |
| | Approved T.C. 05-28-02 | | A | |
| TUSONIX TUCSON, ARIZONA | | 4300-009 | | |