

Keywords: single chip transceiver, E1 line, resistors, transformersingle chip transceivers, SCTs, transformers

APPLICATION NOTE 322

DS2153, DS2154 Selectable 120 and 75Ω E1 Interface

May 08, 2001

Abstract: Different values of resistor can be selected between DS2153 or DS2154 single chip transceiver (SCT) and the transformer when interfacing to the E1 line with secondary overvoltage protection or in a high return loss configuration.

When interfacing to the E1 line with Secondary Over Voltage protection or in a high return loss configuration, resistors are added between the DS2153 outputs and the transformer. Normally the resistors are of different values depending on whether the interface is driving a 75Ω coax or 120Ω twisted wire pair line. Also a change in the termination resistor is required. A single set of resistors can be utilized in both situations by using the circuit shown in **Figure 1**. The dotted lines indicate jumper positions for selecting 75Ω or 120Ω operation.

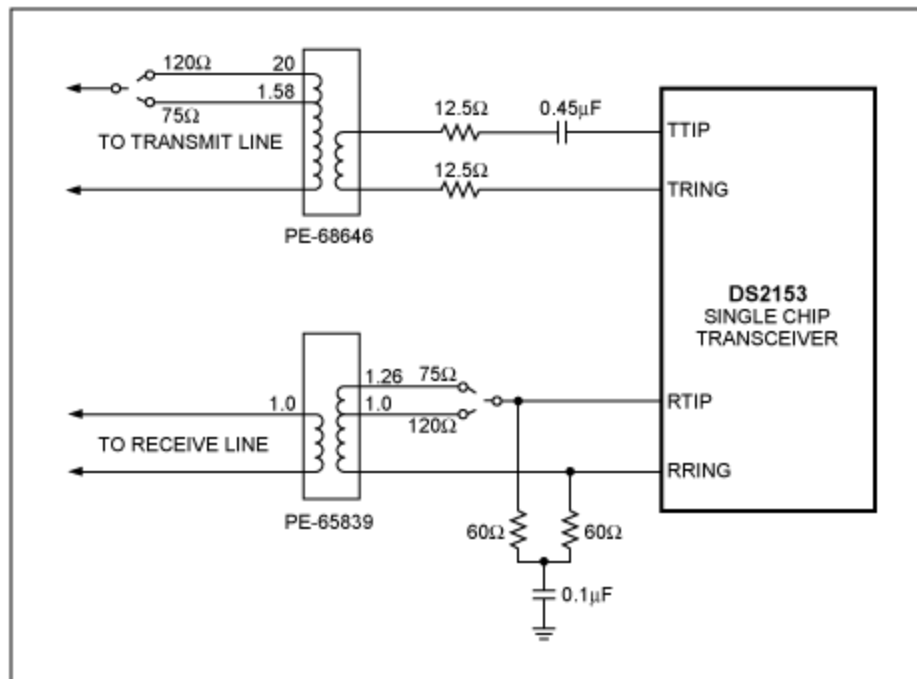


Figure 1. E1 interface.

Table 1. Line Interface Control Register Settings

Line Type	L2	L1	L0
75Ω	0	1	0
120Ω	0	1	0

Notes:

1. Transformers shown are available from Pulse.
2. Resistors shown are within 1" of best value.

Related Parts

[DS2154](#) Enhanced E1 Single Chip Transceiver

More Information

For Technical Support: <http://www.maximintegrated.com/support>

For Samples: <http://www.maximintegrated.com/samples>

Other Questions and Comments: <http://www.maximintegrated.com/contact>

Application Note 322: <http://www.maximintegrated.com/an322>

APPLICATION NOTE 322, AN322, AN 322, APP322, Appnote322, Appnote 322

Copyright © by Maxim Integrated Products

Additional Legal Notices: <http://www.maximintegrated.com/legal>