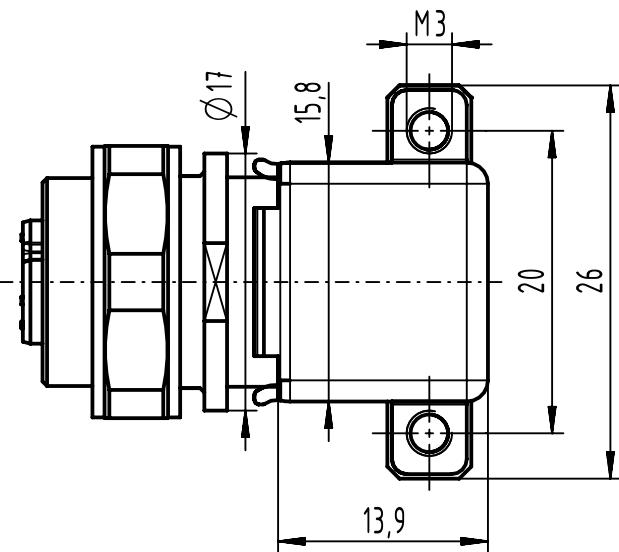
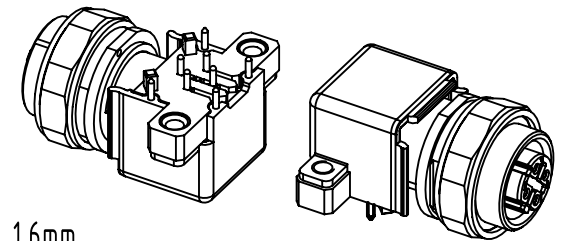


1 recommended PCB-thickness: 1.6mm



	All rights reserved Department EL PD	All Dimensions in mm Original Size DIN A4		Scale 2:1	Free size tol.	Ref. Sub.
		HARTING Electronics GmbH D-32339 Espelkamp	Created by DYCKC	Inspected by 104.122	Standardisation 302077	Date 2020-10-22
Title HARTING M12 PFT angled D-coded IP20				Doc-Key / ECM-Nr. 100219140/UGD/003/P 500000181105		Rev. P
Type TB				Number 21033814412		Page 1/1