

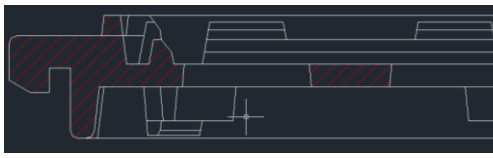
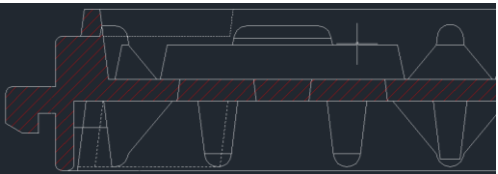

PCN Number:	20170331000	PCN Date:	April 4 2017
Title:	New 23x23 trays for Select BGA Devices		
Customer Contact:	PCN Manager	Dept:	Quality Services
Proposed 1st Ship Date:	July 4 2017		
Change Type:			
<input type="checkbox"/>	Assembly Site	<input type="checkbox"/>	Assembly Process
<input type="checkbox"/>	Design	<input type="checkbox"/>	Electrical Specification
<input type="checkbox"/>	Test Site	<input checked="" type="checkbox"/>	Packing/Shipping/Labeling
<input type="checkbox"/>	Wafer Bump Site	<input type="checkbox"/>	Wafer Bump Material
<input type="checkbox"/>	Wafer Fab Site	<input type="checkbox"/>	Wafer Fab Materials
		<input type="checkbox"/>	Part number change
<input type="checkbox"/>		<input type="checkbox"/>	Assembly Materials
<input type="checkbox"/>		<input type="checkbox"/>	Mechanical Specification
<input type="checkbox"/>		<input type="checkbox"/>	Test Process
<input type="checkbox"/>		<input type="checkbox"/>	Wafer Bump Process
<input type="checkbox"/>		<input type="checkbox"/>	Wafer Fab Process

PCN Details

Description of Change:

Texas Instruments is pleased to announce the qualification of a new improved tray for select BGA devices in the list below. A comparison summary of the differences as follows:

23 x 23 BGA Tray Change

What	From	To
Stock #/Supplier	4212091/Daewan, 4212396/Kostat	4222079/Daewon
Weight	100/104 grams	169 grams
Thickness	7.62mm	12.9mm
Floor Design	"X", Square	"X"
Pocket Design	"X", Square	"X"
Design	4212091 	4222079 
	4212396 	

DIMENSIONAL COMPARISON

ITEM DESCRIPTION	CURRENT TRAY : 4212091-0001			CURRENT TRAY :4212396-0001			PROPOSED: 4222079-0001			COMMENT
	DIM	Upper Limits	Lower Limits	DIM	Upper Limits	Lower Limits	DIM	Upper Limits	Lower Limits	
Overall Length	322.6	322.85	322.35	322.6	322.85	322.35	322.6	322.85	322.35	NO CHANGE
Layout Length	315.0	315.25	314.75	315.0	315.25	314.75	315.0	315.25	314.75	NO CHANGE
Layout Width	135.9	136.15	135.65	135.9	136.15	135.65	135.9	136.15	135.65	NO CHANGE
Layout Length on Top Stack frame	311.15	311.40	311.02	311.15	311.40	311.02	311.15	311.40	311.02	NO CHANGE
Layout Width on Top Stack frame	132.08	132.33	131.95	132.08	132.33	131.95	132.08	132.33	131.95	NO CHANGE
Layout Length on Bottom Stack frame	311.66	311.91	311.53	311.66	311.91	311.53	311.66	311.91	311.53	NO CHANGE
Layout Width on Bottom Stack frame	132.59	132.84	132.46	132.59	132.84	132.46	132.59	132.84	132.46	NO CHANGE
End Tab Length	92.1	92.35	91.85	92.1	92.35	91.85	92.1	92.35	91.85	NO CHANGE
Overall Height	7.62	7.75	7.49	7.62	7.75	7.49	12.19	12.32	12.06	CHANGE
Stack Height	1.27	1.40	1.14	1.27	1.40	1.14	2.00	2.13	1.87	CHANGE
Tray Matrix No.	5x12			5x12			5x12			NO CHANGE
Pitch M	16.95	17.08	16.82	16.95	17.08	16.82	16.95	17.08	16.82	NO CHANGE
Pitch M3	25.50	25.63	25.37	25.50	25.63	25.37	25.50	25.63	25.37	NO CHANGE
Pitch M1	17.25	17.38	17.12	17.25	17.38	17.12	17.25	17.38	17.12	NO CHANGE
Pitch M2	25.50	25.63	25.37	25.50	25.63	25.37	25.50	25.63	25.37	NO CHANGE
Distance of tray singulation from corner of tray	34.3	34.43	34.17	34.3	34.43	34.17	34.3	34.43	34.17	NO CHANGE
Tray singulation width	25.4	25.65	25.15	25.4	25.65	25.15	25.4	25.65	25.15	NO CHANGE
Tray Lifting surface height	2.54	2.67	2.41	2.54	2.67	2.41	9.63	9.76	9.50	CHANGE
Cavity Size	23.3	23.38	23.22	23.3	23.38	23.22	23.3	23.38	23.22	NO CHANGE
Pedestal Design	Slope design			Slope design			Slope design with corner relief			CHANGE
Package seating height (Top)	1.52	1.62	1.42	1.66	1.79	1.53	2.7	2.8	2.6	CHANGE
Package seating height (Bottom)	1.1	1.2	1	0.80	0.93	0.67	1.3	1.4	1.2	CHANGE

REMARKS:

➤ Changes are attributed by the change on thickness

Reason for Change:

Quality Improvement

Anticipated impact on Fit, Form, Function, Quality or Reliability (positive / negative):

None

Changes to product identification resulting from this PCN:

New tray

Product Affected:

AM3871CCYE100	TMS320C6414TBGLZA6	TMS320DM8127SCYEA0	TMS32C6414EGLZA6E3
AM3871CCYE80	TMS320C6414TBGLZA7	TMS320DM8127SCYED0	TMS32C6414EZLZ5E0
AM3874BCYE100	TMS320C6414TBGLZA8	TMS320DM8127SCYED1	TMS32C6414EZLZ6E3
AM3874CCYE100	TMS320C6415TBCLZ1	TMS320DM8127SCYED2	TMS32C6414EZLZ7E3
AM3874CCYE80	TMS320C6415TBCLZ6	TMS320DM8127SCYED3	TMS32C6414EZLZA5E0
AM3874CCYEA100	TMS320C6415TBCLZ7	TMS320DM8147BCYE1	TMS32C6414EZLZA6E3
AM3874CCYEA80	TMS320C6415TBCLZA6	TMS320DM8147SCYE0	TMS32C6414EZLZW5E0
AM5716AABCD	TMS320C6415TBCLZA8	TMS320DM8147SCYE1	TMS32C6414EZLZW6E3
AM5716AABCD A	TMS320C6415TBCLZW6	TMS320DM8147SCYE2	TMS32C6414TBCLZWA6
AM5716AABCD E A	TMS320C6415TBCLZW7	TMS320DM8148BCYE1	TMS32C6414TBCLZWA8
AM5716AABCX	TMS320C6415TBGLZ1	TMS320DM8148BCYE2	TMS32C6414TBGLZWA8
AM5716AABCX A	TMS320C6415TBGLZ6	TMS320DM8148CCYE0	TMS32C6415EGLZ5E0

AM5716AABCXEA	TMS320C6415TBGLZ7	TMS320DM8148CCYE1	TMS32C6415EGLZ6E3
AM5716ABCXA	TMS320C6415TBGLZA8	TMS320DM8148CCYE2	TMS32C6415EGLZA5E0
AM5717AABCXEA	TMS320C6415TBGLZW8	TMS320DM8148CCYE2F	TMS32C6415EGLZA6E3
AM5718AABCX	TMS320C6416TBCLZ1	TMS320DM8148CCYEA0	TMS32C6415EGLZW6E3
AM5718AABCXA	TMS320C6416TBCLZ6	TMS320DM8148SCYE0	TMS32C6415EZLZ5E0
AM5718AABCXEA	TMS320C6416TBCLZ7	TMS320DM8148SCYE1	TMS32C6415EZLZ6E3
AM5726BABCX	TMS320C6416TBCLZA6	TMS320DM8148SCYE2	TMS32C6415EZLZ7E3
AM5726BABCXA	TMS320C6416TBCLZA7	TMS320DM8148SCYEA0	TMS32C6415EZLZA5E0
AM5726BABCXEA	TMS320C6416TBCLZD1	TMS320EDGEGLZ	TMS32C6415TBCLZW7F
AM5727BABCXEA	TMS320C6416TBGLZ1	TMS320EEDGECCUN	TMS32C6416EGLZ5E0
AM5728AABCXA	TMS320C6416TBGLZ6	TMS320EEDGECCUNA	TMS32C6416EGLZ6E3
AM5728BABCX	TMS320C6416TBGLZ7	TMS320TCI100BCLZ7	TMS32C6416EGLZ7E3
AM5728BABCXA	TMS320C6416TBGLZA6	TMS320TCI100BCLZA6	TMS32C6416EGLZA5E0
AM5728BABCXEA	TMS320C6416TBGLZA8	TMS320TCI100BCLZA7	TMS32C6416EGLZA6E3
AM5729BABCXEA	TMS320C6457CCMH	TMS320TCI100BGLZ7	TMS32C6416EZLZ5E0
DM8147SCIS0	TMS320C6457CCMH2	TMS320TCI100BQCLZ	TMS32C6416EZLZ6E3
DVITDM8148CCYE1	TMS320C6457CCMH8	TMS320TCI100BQCLZR	TMS32C6416EZLZA6E3
HPSDM8148CCYE2	TMS320C6457CCMHA	TMS320TCI100BQGLZ	TMS32TCI6484CCMHV5
MTDM8148CCYE2	TMS320C6457CCMHA2	TMS320TCI100BQGLZA	TMS32TCI6487FCUNA2
SM320C6457CGMHS	TMS320C6457CCMHA	TMS320TCI6484CCMH	TMS32TCI6487FCUNAH
SM32C6415EGLZ50AEP	TMS320C6474FCUN	TMS320TCI6484CCMH2	TMS32TCI6487FZUNAH
SM32C6415EGLZ50SEP	TMS320C6474FCUN2	TMS320TCI6484CCMHA	TMS32TCI6488FCUNA2
SM32C6416TBGLZA8EP	TMS320C6474FCUN8	TMS320TCI6484CGMH	TMS32TCI6488FZUNA2
SM32C6416TBGLZI1EP	TMS320C6474FCUNA	TMS320TCI6484CMH	V5042CCYE0ACL
TDA1MDRCCYEA0	TMS320C6474FCUNA2	TMS320TCI6487FCUN	V5042CCYE1ACL
TMS320C6411AGLZ	TMS320C6474FGUNA	TMS320TCI6487FCUN2	V62/04609-05XA
TMS320C6411AZLZ	TMS320C6474FZUNA2	TMS320TCI6487FCUNA	V62/04609-08XA
TMS320C6414TBCLZ1	TMS320C6A8147BCYE0	TMS320TCI6487FGUN	V62/05607-05YA
TMS320C6414TBCLZ6	TMS320C6A8147BCYE1	TMS320TCI6487FGUN2	V62/05607-06YA
TMS320C6414TBCLZ7	TMS320C6A8147BCYE2	TMS320TCI6487FGUNA	XAM5718AABCXEA
TMS320C6414TBCLZ8	TMS320C6A8148BCYE2	TMS320TCI6488FCUN	XAM5718AABCXTUEA
TMS320C6414TBCLZA6	TMS320DM8127BCYE3	TMS320TCI6488FCUN2	XAM5718ZBOXES
TMS320C6414TBCLZA7	TMS320DM8127BCYED 3	TMS320TCI6488FCUNA	XAM5728AABCXE
TMS320C6414TBCLZA8	TMS320DM8127SCYE0	TMS320TCI6488FCUNH	XAM5728BABCXE
TMS320C6414TBCLZW8	TMS320DM8127SCYE1	TMS32C6414EGLZ5E0	XAM5728BABCXTUEA
TMS320C6414TBGLZ1	TMS320DM8127SCYE2	TMS32C6414EGLZ6E3	XAM5729BABCXEA
TMS320C6414TBGLZ6	TMS320DM8127SCYE3	TMS32C6414EGLZ7E3	XAM5729BABCXTUEA
TMS320C6414TBGLZ7	TMS320DM8127SCYE3H	TMS32C6414EGLZA5E0	

For questions regarding this notice, e-mails can be sent to the regional contacts shown below or your local Field Sales Representative.

Location	E-Mail
USA	PCNAmericasContact@list.ti.com
Europe	PCNEuropeContact@list.ti.com
Asia Pacific	PCNAsiaContact@list.ti.com
Japan	PCNJapanContact@list.ti.com