

4

3

2

1

THIS DRAWING IS UNPUBLISHED. RELEASED FOR PUBLICATION 20  
 © COPYRIGHT 20 BY - ALL RIGHTS RESERVED.

REVISIONS					
P	LTR	DESCRIPTION	DATE	DWN	APVD
H5		REVISED PER ECN-21-100661	25MAR2021	WLS	VS
H6		REVISED PER ECN-22-160768	23JUN2022	WLS	VS
H7		REVISED PER ECN-22-163403	08JUL2022	WLS	VS

1 MATERIAL;  
 HOUSING - UL 94V-0 RATED HIGH TEMP NYLON, COLOR BLACK.  
 CONTACTS - BRASS.  
 HOLDDOWNS - PHOSPHOR BRONZE.

2 DIMENSION APPLIES TO SOLDER TAIL SURFACES AND STANDOFF SURFACES.

3 RECOMMENDED PC BOARD THICKNESS OF 1.57.

4 ALL SOLDER TAILS AND HOLDDOWNS.

5 PLATING;  
 CONTACTS - 0.76µm MINIMUM GOLD ON MATING AREA.  
 2.54µm MINIMUM MATTE TIN ON SOLDER TAIL.  
 ALL OVER 1.27µm MINIMUM NICKEL.  
 HOLDDOWNS - 2.54µm MINIMUM MATTE TIN OVER 1.27µm MINIMUM NICKEL.

6 SPECIAL PACKAGING : 1 PLASTIC BAG PER REEL, ALL REELS INTO THE BOX.

7 REVERSED TAPE, SEE SPECIFICATION 114-13000.

8 COUNTERPART RECOMMENDED IS PN 794617 (DASH ACCORDING TO NUMBER OF POSITION).

9 FOR REELING DIRECTION AND PACKAGING TYPE, SEE SPECIFICATION 114-13000.

18.86	22.27	15.00	22.00	12	7-794629-2	6
12.86	16.27	9.00	16.00	8	6-794629-8	7
6.86	10.27	3.00	10.00	4	6-794629-4	7
36.86	40.27	33.00	40.00	24	5-794629-4	
33.86	37.27	30.00	37.00	22	5-794629-2	
30.86	34.27	27.00	34.00	20	5-794629-0	
27.86	31.27	24.00	31.00	18	4-794629-8	
24.86	28.27	21.00	28.00	16	4-794629-6	
21.86	25.27	18.00	25.00	14	4-794629-4	
18.86	22.27	15.00	22.00	12	4-794629-2	
15.86	19.27	12.00	19.00	10	4-794629-0	
12.86	16.27	9.00	16.00	8	3-794629-8	
9.86	13.27	6.00	13.00	6	3-794629-6	
6.86	10.27	3.00	10.00	4	3-794629-4	
3.86	7.27	-	7.00	2	3-794629-2	
DIM Y	DIM W	DIM Z	DIM X	NO. OF POSN.	PART NUMBER	

DIMENSIONS:		TOLERANCES UNLESS OTHERWISE SPECIFIED:		DWN		CHK		APVD		NAME	
mm		0 PLC ± 1 PLC ± 2 PLC ±0.20 3 PLC ± 4 PLC ±		K. WHITAKER 19MAR2003		C. JONES 19MAR2003		C. JONES 19MAR2003		SURFACE MOUNT, RIGHT ANGLE, SURFACE MOUNT HOLDDOWN, ASSEMBLY, 30 GOLD HEADER, DUAL ROW, MICRO MATE-N-LOK™	
MATERIAL		FINISH		PRODUCT SPEC		APPLICATION SPEC		WEIGHT		RESTRICTED TO	
1		5		108-1836		114-13000		-		A20779 C-794629	
CUSTOMER DRAWING				SCALE 4:1		SHEET 1 OF 2		REV H7			

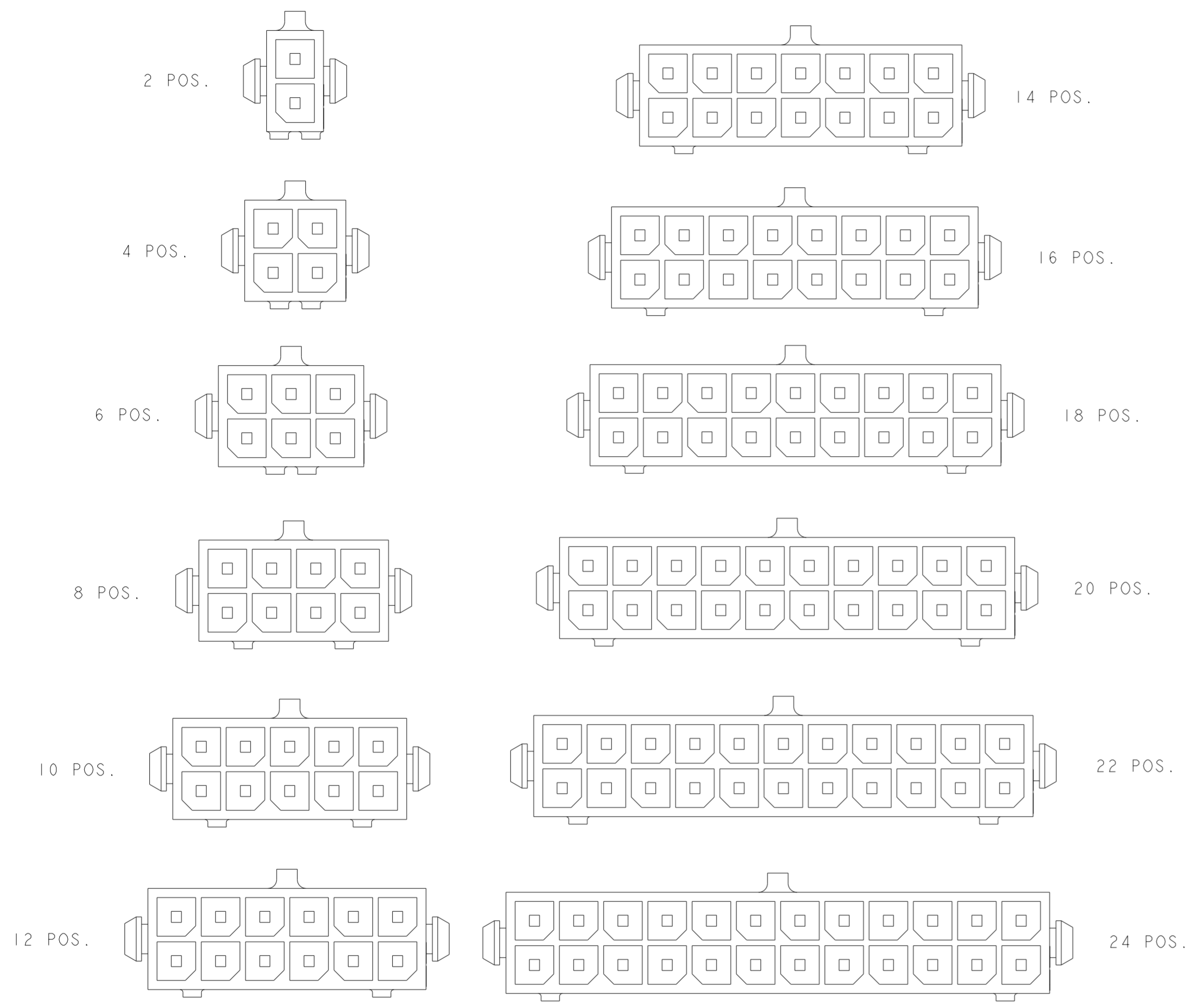
1471-9 (3/13)

794629

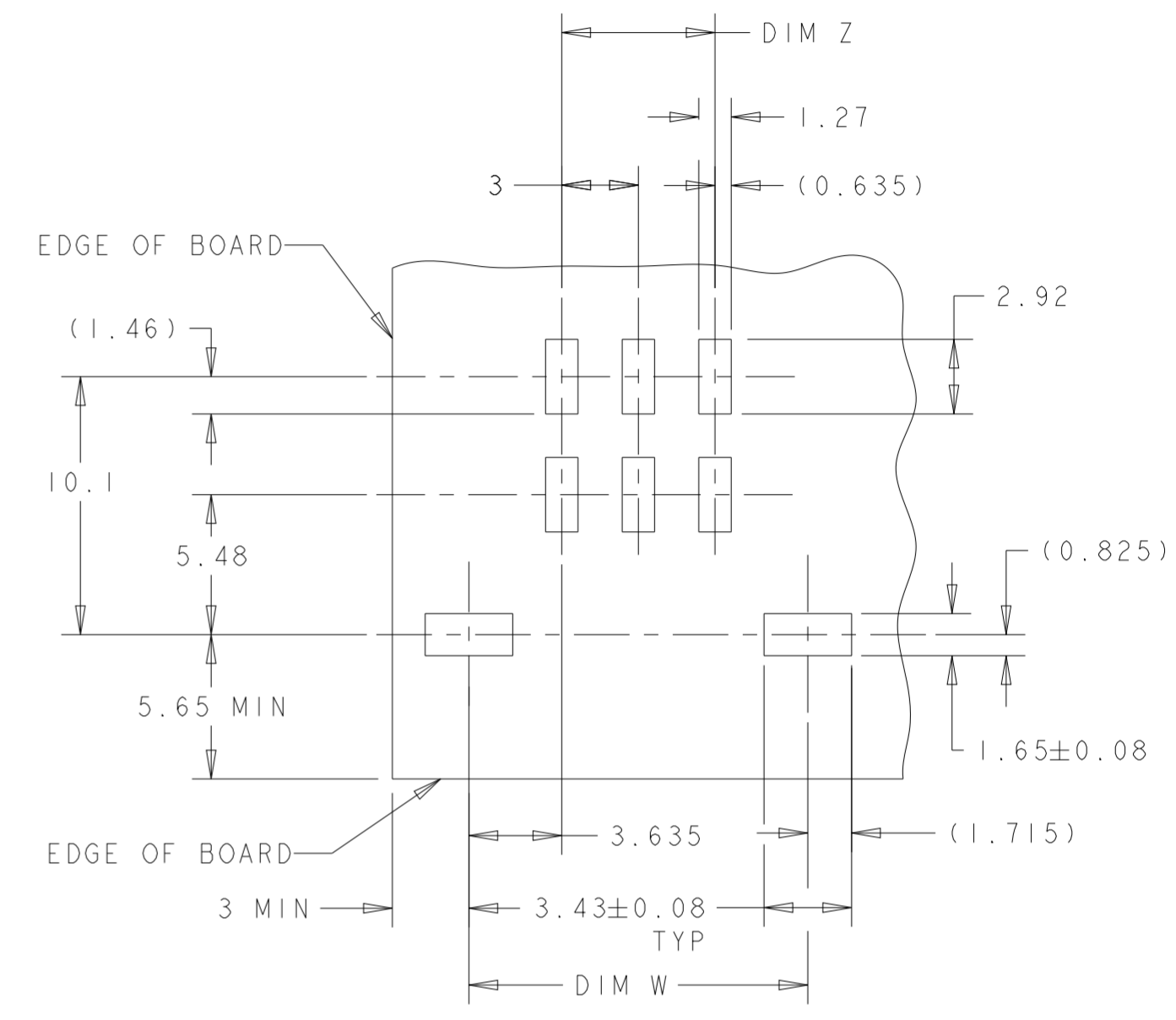
A

THIS DRAWING IS UNPUBLISHED. RELEASED FOR PUBLICATION 20  
 © COPYRIGHT 20 BY - ALL RIGHTS RESERVED.

REVISIONS				
P	LTR	DESCRIPTION	DATE	APVD
-	-	SEE SHEET 1	-	-



KEYING BY POSITION SIZE



RECOMMENDED PCB LAYOUT (COMPONENT SIDE)

THIS DRAWING IS A CONTROLLED DOCUMENT.		DWN K. WHITAKER 19MAR2003		TE Connectivity	
DIMENSIONS: mm		CHK C. JONES 19MAR2003		NAME SURFACE MOUNT, RIGHT ANGLE, SURFACE MOUNT HOLDDOWN, ASSEMBLY, 30 GOLD HEADER, DUAL ROW, MICRO MATE-N-LOK	
TOLERANCES UNLESS OTHERWISE SPECIFIED:		APVD C. JONES 19MAR2003	PRODUCT SPEC 108-1836		
0 PLC ±		APPLICATION SPEC 114-13000		SIZE A2	CAGE CODE 0779
1 PLC ±		WEIGHT -		DRAWING NO G-794629	RESTRICTED TO -
2 PLC ±0.20		CUSTOMER DRAWING		SCALE 4:1	SHEET 2 OF 2
3 PLC ±					REV H7
4 PLC ±					
ANGLES ±1°					
FINISH					