

Würth Elektronik eiSos GmbH & Co. KG

EMC & Inductive Solutions

Max-Eyth-Straße 1 · 74638 Waldenburg · Germany

Tel. +49 (0) 79 42 945-0 · Fax +49 (0) 79 42 945-400

eiSos@we-online.de · www.we-online.de



Product / Process Change Notification (PCN)

- Major change
 Minor change

PCN #: PCN_FePF_20190315
Affected Series: WE-PF-1280; 7427929xxx
PCN Date: March 06, 2019
Effective Date: March 15, 2019

Change Category:

- Equipment / Location
 General Data
 Material
 Process
 Product Design
 Shipping / Packaging
 Supplier
 Software

Contact: Product Management
Phone: +49 (0) 7942 - 945 5001
Fax: +49 (0) 7942 - 945 5179
E-Mail: pcn.eisos@we-online.com

Data Sheet Change:

- Yes No

Attachment:

- Yes No

DESCRIPTION AND PURPOSE OF CHANGE:

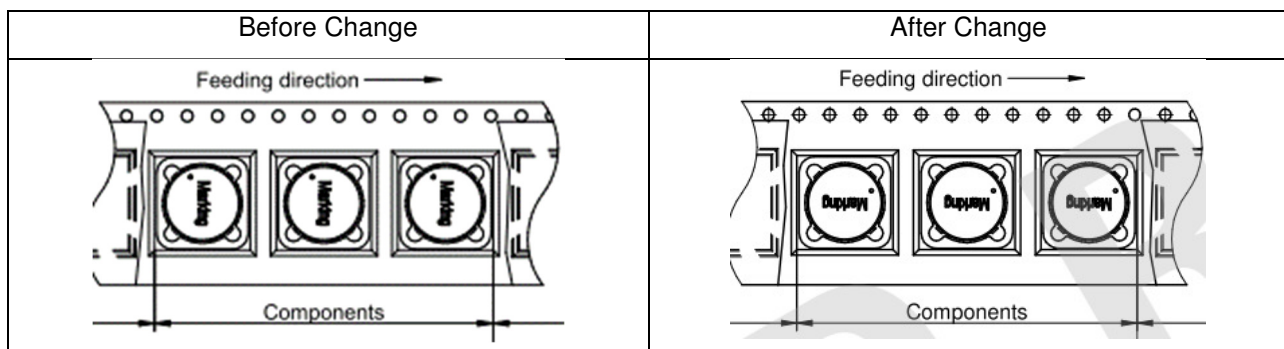
Because of a database mismatch, Würth Elektronik updates the orientation of the component in the carrier tape.

There will be no change in form, fit, function, quality or reliability of the product but only a correction to the datasheet.

DETAIL OF CHANGE:

The orientation of the component in the carrier tape is different to the drawing in the datasheet. Because of this the datasheet will be updated to have the same orientation like the parts have it in the carrier tape.

The packing drawing in the datasheet will be updated like following:



RELIABILITY / QUALIFICATION SUMMARY:

There will be no change to the product therefore no additional reliability or qualification testing performed.