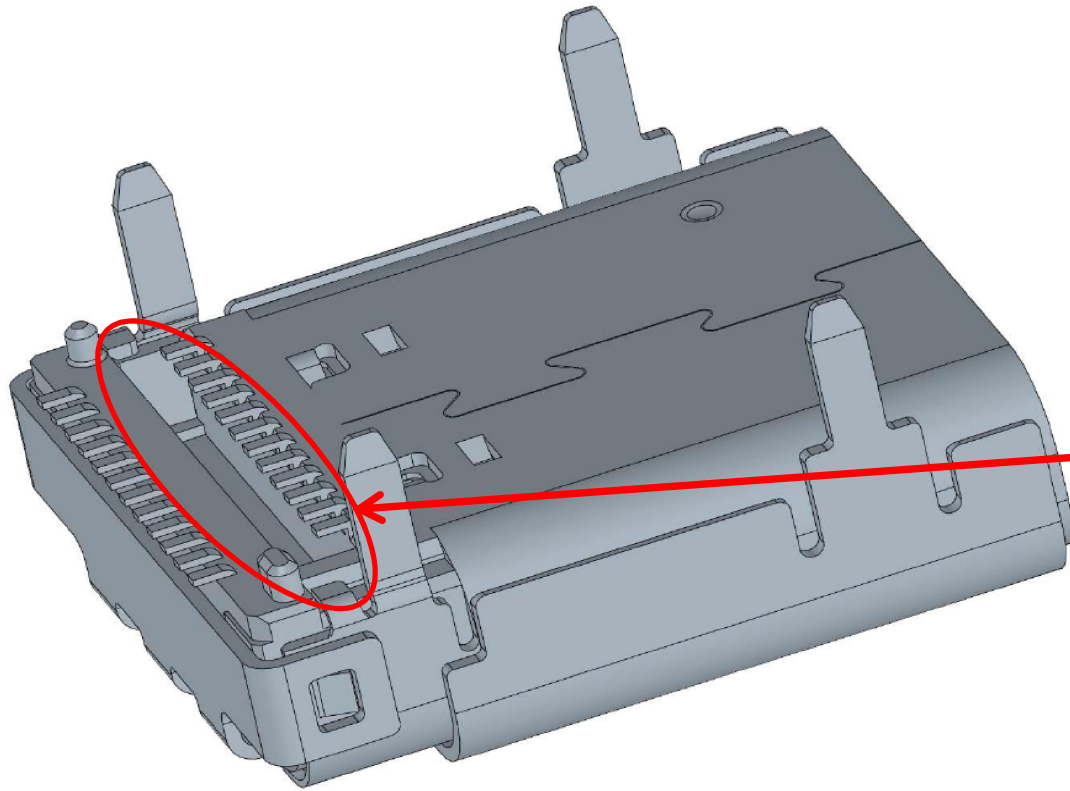


Feature added to improve shell strength



Feature added to improve  
Coplanarity