

700mA High Speed LDO Regulator with Reverse Current Protection

■ GENERAL DESCRIPTION

The XC6227 series is a highly accurate, low noise, high ripple rejection, low dropout, and low power consumption high speed voltage regulator.

The series consists of a voltage reference, an error amplifier, a driver transistor, a current limiter, a thermal protection circuit, a reverse current protection circuit and a phase compensation circuit.

The CE function enables the entire circuit to be placed in a stand-by state by inputting a low level signal to the CE pin. Over-current protection and thermal protection circuits are integrated. The protection circuit starts to operate when either output current reaches the current limit level or junction temperature reaches the temperature limit. With the reverse current protection function of a driver transistor, the reverse current flow is prohibited when V_{OUT} voltage is higher than V_{IN} voltage. For an example, when a battery is connected to the V_{OUT} pin, battery current will not flow back to the XC6227.

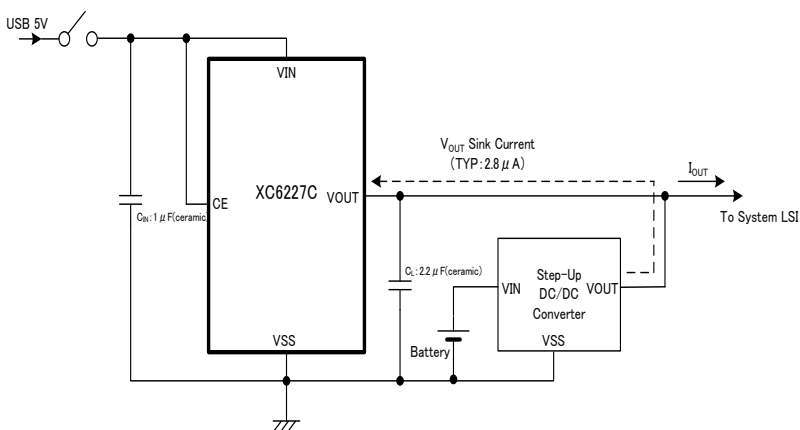
■ APPLICATIONS

- USB products and HDMI equipments
- E-book Readers / Electronic dictionaries
- Smart Phones / Mobile phones
- Portable game consoles
- Modules (Wireless, Camera, etc.)

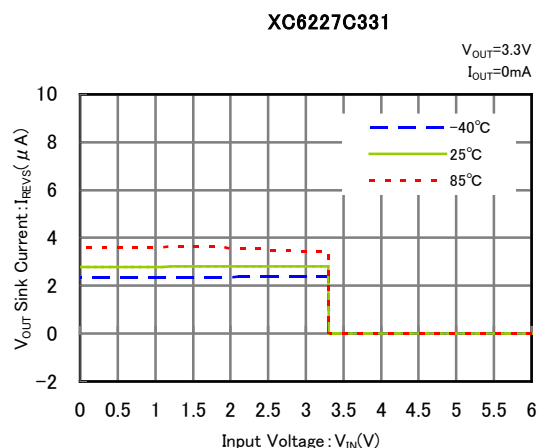
■ FEATURES

| | |
|--------------------------------------|---|
| Maximum Output Current | : 700mA |
| Dropout Voltage | : 120mV @ $I_{OUT}=300mA(V_{OUT}=3.0V)$ |
| Operating Voltage Range | : 1.7V ~ 6.0V |
| Output Voltages | : 0.8V ~ 5.0V (0.05V increments) |
| Accuracy | : $\pm 1\%$ ($V_{OUT} > 2.0V$) $\pm 0.02V$ ($V_{OUT} \leq 2.0V$) |
| Low Power Consumption | : 100 μA |
| Chip Enable(CE) | : Active High Standby Current below 0.1 μA |
| High Ripple Rejection | : 65dB @ 1kHz |
| Operating Ambient Temperature | : $-40^{\circ}C$ ~ $85^{\circ}C$ |
| Low ESR Capacitor | : Ceramic capacitor |
| Packages | : USP-6C, SOT-25, SOT-89-5 |
| Environmentally Friendly | : EU RoHS Compliant, Pb Free |

■ TYPICAL APPLICATION CIRCUIT ■ TYPICAL PERFORMANCE CHARACTERISTICS

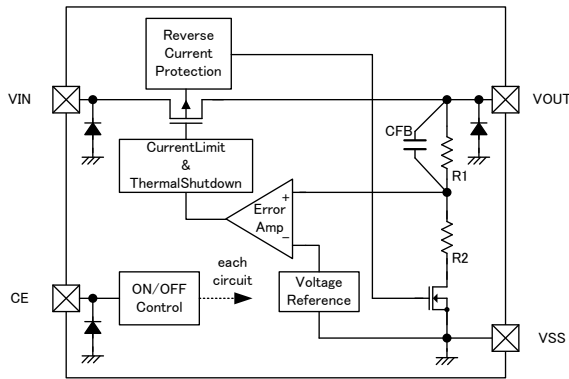


● V_{OUT} Sink Current VS. Input Voltage

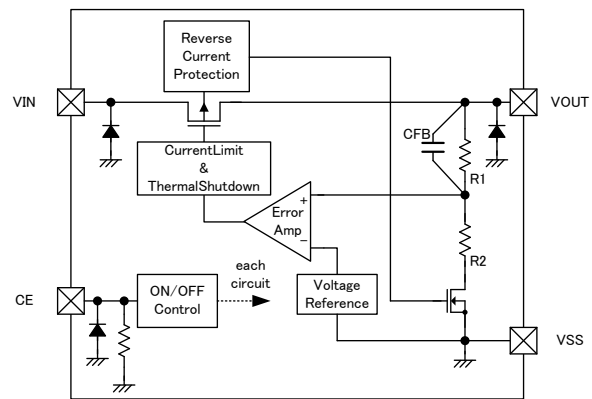


■ BLOCK DIAGRAM

1) XC6227 series A type



2) XC6227series C type



* Diodes inside the circuits are ESD protection diodes and parasitic diodes.

■ PRODUCT CLASSIFICATION

● Ordering Information

XC6227①②③④⑤⑥-⑦^(*)

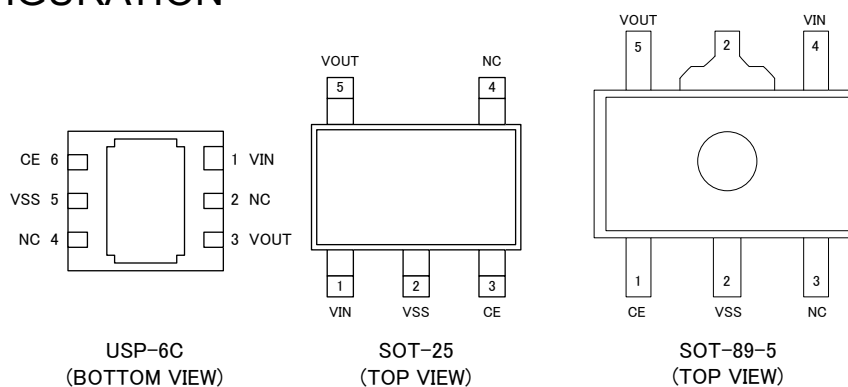
| DESIGNATOR | ITEM | SYMBOL | DESCRIPTION |
|------------|---|---------|---|
| ① | Type | A | Refer to Selection Guide |
| | | C | |
| ②③ | Output Voltage | 08 ~ 50 | e.g. 2.8V → ②=2, ③=8 |
| ④ | Output Voltage (the 2 nd decimal place) | 1 | Output voltage {x.x0v} (the 2nd decimal place is "0") ±1% ($V_{OUT}>2.0V$), ±20mV ($V_{OUT}\leq 2.0V$) |
| | | B | Output voltage {x.x5v} (the 2nd decimal place is "5") ±1% ($V_{OUT(T)}>2.0V$), ±20mV ($V_{OUT(T)}\leq 2.0V$) |
| ⑤⑥-⑦ | Packages (Order Unit) | MR-G | SOT-25 (3,000pcs/Reel) |
| | | PR-G | SOT-89-5 (1,000pcs/Reel) |
| | | ER-G | USP-6C (3,000pcs/Reel) |

^(*) The "-G" suffix denotes Halogen and Antimony free as well as being fully EU RoHS compliant.

● Selection Guide

| TYPE | CE High Active | CE PULL-DOWN RESISTOR |
|------|----------------|-----------------------|
| A | Yes | No |
| C | Yes | Yes |

■ PIN CONFIGURATION



*The dissipation pad for the USP-6C package should be solder-plated in recommended mount pattern and metal masking so as to enhance mounting strength and heat release. If the pad needs to be connected to other pins, it should be connected to the VSS (No. 5) pin.

| PIN NUMBER | | | PIN NAME | FUNCTIONS |
|------------|--------|----------|------------------|----------------|
| USP-6C | SOT-25 | SOT-89-5 | | |
| 1 | 1 | 4 | V _{IN} | Power Input |
| 3 | 5 | 5 | V _{OUT} | Output |
| 2,4 | 4 | 3 | NC | No connection |
| 5 | 2 | 2 | V _{SS} | Ground |
| 6 | 3 | 1 | CE | ON/OFF Control |

■ FUNCTION CHART

| PIN NAME | SIGNAL | TYPE | STATUS |
|----------|--------|------|-----------------|
| CE | L | A,C | Stand-by |
| | H | A,C | Active |
| | OPEN | A | Undefined state |
| | | C | Stand-by |

■ ABSOLUTE MAXIMUM RATINGS

| PARAMETER | | SYMBOL | RATINGS | UNITS |
|--|----------|-----------|--|------------------|
| Input Voltage | | V_{IN} | $V_{SS} - 0.3 \sim 6.5$ | V |
| Output Voltage | | V_{OUT} | $V_{SS} - 0.3 \sim 6.5$ | V |
| CE Input Voltage | | V_{CE} | $V_{SS} - 0.3 \sim 6.5$ | V |
| Power Dissipation ($T_a=25^\circ\text{C}$) | USP-6C | Pd | 120 | mW |
| | | | 1000 (40mm x 40mm Standard Board) ^(*) | |
| | | | 1250 (JESD51-7 Board) ^(*) | |
| | SOT-25 | | 250 | |
| | | | 600 (40mm x 40mm Standard Board) ^(*) | |
| | | | 760 (JESD51-7 Board) ^(*) | |
| | SOT-89-5 | | 500 | |
| | | | 1300 (40mm x 40mm Standard Board) ^(*) | |
| Operating Ambient Temperature | | T_{opr} | -40 ~ 85 | $^\circ\text{C}$ |
| Storage Temperature | | T_{stg} | -55 ~ 125 | $^\circ\text{C}$ |

^(*) The power dissipation figure shown is PCB mounted and is for reference only.
Please refer to PACKAGING INFORMATION for the mounting condition.

ELECTRICAL CHARACTERISTICS

●XC6227 Series

Ta=25°C

| PARAMETER | SYMBOL | CONDITIONS | MIN. | TYP. | MAX. | UNITS | CIRCUIT |
|---|---|---|-----------------------|-------------------------------------|-----------------------|---------|---------|
| Output Voltage | V _{OUT(E)} ^(*2) | V _{OUT(T)} > 2.0V, V _{CE} =V _{IN} , I _{OUT} =10mA | ×0.99 ^(*3) | V _{OUT(T)} ^(*4) | ×1.01 ^(*3) | V | ① |
| | | V _{OUT(T)} ≤ 2.0V, V _{CE} =V _{IN} , I _{OUT} =10mA | -0.02 ^(*3) | | +0.02 ^(*3) | | |
| Output Current | I _{OUTMAX} | V _{CE} =V _{IN} , V _{IN} =V _{OUT(T)} +1.0V V _{OUT(T)} > 1.5V | 700 | - | - | mA | ① |
| | | V _{CE} =V _{IN} , V _{IN} =2.5V V _{OUT(T)} ≤ 1.5V | | | | | |
| Load Regulation | ΔV _{OUT} | V _{CE} =V _{IN} , 0.1mA ≤ I _{OUT} ≤ 300mA | E-1 | | | mV | ① |
| Dropout Voltage1 ^(*5) | V _{dif} | I _{OUT} =300mA, V _{CE} =V _{IN} | E-2 | | | mV | ① |
| Dropout Voltage2 ^(*5) | V _{dif2} | I _{OUT} =0mA, V _{CE} =V _{IN} | E-3 | | | mV | ① |
| Supply Current | I _{SS} | V _{IN} =V _{CE} =V _{OUT(T)} +1.0V, I _{OUT} =0mA | - | 100 | 220 | μA | ② |
| Stand-by Current | I _{STBY} | V _{IN} =6.0V, V _{CE} =V _{SS} | - | 0.01 | 0.1 | μA | ② |
| Line Regulation | ΔV _{OUT} / (ΔV _{IN} · V _{OUT}) | V _{OUT(T)} +0.5V ≤ V _{IN} ≤ 6.0V :V _{OUT(T)} ≥ 1.0V V _{CE} =V _{IN} , I _{OUT} =30mA | - | 0.01 | 0.1 | %V | ① |
| | | 1.5V ≤ V _{IN} ≤ 6.0V :V _{OUT(T)} ≤ 0.95V V _{CE} =V _{IN} , I _{OUT} =30mA | | | | | |
| Input Voltage | V _{IN} | | 1.7 | - | 6.0 | V | ① |
| Output Voltage Temperature Characteristics | ΔV _{OUT} / (ΔTa · V _{OUT}) | V _{CE} =V _{IN} , I _{OUT} =30mA -40°C ≤ Ta ≤ 85°C | - | ±100 | - | ppm /°C | ① |
| Power Supply Rejection Ratio | PSRR | V _{OUT(T)} ≥ 4.8V, V _{IN} =5.75V _{DC} +0.5Vp-p _{AC} V _{CE} =V _{IN} , I _{OUT} =30mA, f=1kHz | - | 65 | - | dB | ③ |
| | | 1.0V ≤ V _{OUT(T)} < 4.8V V _{IN} ={V _{OUT(T)} +1.0}V _{DC} +0.5Vp-p _{AC} V _{CE} =V _{IN} , I _{OUT} =30mA, f=1kHz | | | | | |
| | | V _{OUT(T)} < 1.0V, V _{IN} =2.0V _{DC} +0.5Vp-p _{AC} V _{CE} =V _{IN} , I _{OUT} =30mA, f=1kHz | | | | | |
| Limit Current | I _{lim} | V _{CE} =V _{IN} , V _{IN} =V _{OUT(T)} +1.0V V _{OUT(T)} > 1.5V | 720 | 950 | - | mA | ① |
| | | V _{CE} =V _{IN} , V _{IN} =2.5V V _{OUT(T)} ≤ 1.5V | | | | | |
| Short Current | I _{short} | V _{CE} =V _{IN} , Short V _{OUT} to V _{SS} level | - | 55 | - | mA | ① |
| CE High Level Voltage | V _{CEH} | | 1.2 | - | 6.0 | V | ① |
| CE Low Level Voltage | V _{CEL} | | V _{SS} | - | 0.3 | V | ① |
| CE High Level Current | I _{CEH} | V _{CE} =V _{IN} =6.0V, XC6227C Series | 17.7 | 24 | 36.9 | μA | ① |
| CE Low Level Current | I _{CEL} | V _{CE} =V _{SS} | -0.1 | - | 0.1 | μA | ① |
| Reverse Current ^(*8) | I _{REV} | V _{IN} =0V, V _{OUT} =6.0V ^(*10) | - | 0.01 | 1.5 | μA | ① |
| V _{OUT} Pin Sink Current ^(*9) | I _{REVS} | V _{IN} =5.0V, V _{OUT} =6.0V ^(*10) | - | 2.8 | 5.3 | μA | ① |
| Thermal Shutdown Detect Temperature | T _{TSD} | Junction Temperature | - | 150 | - | °C | ① |
| Thermal Shutdown Release Temperature | T _{TSR} | Junction Temperature | - | 125 | - | °C | ① |

NOTE:

- * 1: Unless otherwise stated, input voltage is V_{IN}=V_{OUT(T)}+1.0V.
- * 2: V_{OUT(E)} is effective output voltage (Refer to the voltage chart E-1 and E-2)
It is defined as output voltages when an amply stabilized V_{OUT(T)}+1.0V is supplied to the V_{IN} pin while maintaining a certain I_{OUT}.
- * 3: The relation between V_{OUT(E)} and V_{OUT(T)} is shown in the voltage chart E-1 and E-2.
- * 4: V_{OUT(T)} is nominal output voltage
- * 5: V_{dif} (V_{dif2})= {V_{IN1}^(*7)-V_{OUT1}^(*6)}
- * 6: V_{OUT1} equals 98% of the output voltage when amply stabilized V_{OUT(T)}+1.0V are supplied to the V_{IN} pin.
- * 7: V_{IN1} is the input voltage when V_{OUT1} appears at the V_{OUT} pin while input voltage is gradually decreased.
- * 8: Reverse current (I_{REV}) flows from V_{OUT} to V_{IN}.
- * 9: V_{OUT} pin sink current (I_{REVS}) flows from V_{OUT} to V_{SS}.
- *10: Please note when an external power supply connects to the V_{OUT} pin, please use it with 6.0V or less.

OUTPUT VOLTAGE CHART

● Voltage Chart 1

| NOMINAL OUTPUT VOLTAGE $V_{OUT(T)}$ (V) | OUTPUT VOLTAGE | | LOAD REGULATION E-1 | | DROPOUT VOLTAGE 1 E-1 | | DROPOUT VOLTAGE 2 E-3 | |
|--|------------------|--------|------------------------|------|--------------------------|------|--------------------------|------|
| | $V_{OUT(E)}$ (V) | | ΔV_{OUT} (mV) | | V_{dif} (mV) | | V_{dif2} (mV) | |
| | MIN. | MAX. | TYP. | MAX. | TYP. | MAX. | TYP. | MAX. |
| 0.80 | 0.7800 | 0.8200 | 25 | 50 | 720 | 880 | 230 | 510 |
| 0.85 | 0.8300 | 0.8700 | 25 | 50 | 720 | 880 | 230 | 510 |
| 0.90 | 0.8800 | 0.9200 | 25 | 50 | 720 | 880 | 230 | 510 |
| 0.95 | 0.9300 | 0.9700 | 25 | 50 | 720 | 880 | 230 | 510 |
| 1.00 | 0.9800 | 1.0200 | 25 | 50 | 570 | 740 | 75 | 260 |
| 1.05 | 1.0300 | 1.0700 | 30 | 60 | 570 | 740 | 75 | 260 |
| 1.10 | 1.0800 | 1.1200 | 30 | 60 | 570 | 740 | 75 | 260 |
| 1.15 | 1.1300 | 1.1700 | 30 | 60 | 570 | 740 | 75 | 260 |
| 1.20 | 1.1800 | 1.2200 | 30 | 60 | 420 | 570 | 50 | 135 |
| 1.25 | 1.2300 | 1.2700 | 30 | 60 | 420 | 570 | 40 | 80 |
| 1.30 | 1.2800 | 1.3200 | 30 | 60 | 420 | 570 | 40 | 80 |
| 1.35 | 1.3300 | 1.3700 | 30 | 60 | 420 | 570 | 40 | 80 |
| 1.40 | 1.3800 | 1.4200 | 30 | 60 | 320 | 470 | 40 | 80 |
| 1.45 | 1.4300 | 1.4700 | 30 | 60 | 320 | 470 | 40 | 80 |
| 1.50 | 1.4800 | 1.5200 | 30 | 60 | 280 | 410 | 40 | 80 |
| 1.55 | 1.5300 | 1.5700 | 30 | 60 | 280 | 410 | 40 | 80 |
| 1.60 | 1.5800 | 1.6200 | 30 | 60 | 280 | 410 | 40 | 80 |
| 1.65 | 1.6300 | 1.6700 | 30 | 60 | 280 | 410 | 40 | 80 |
| 1.70 | 1.6800 | 1.7200 | 30 | 60 | 280 | 410 | 40 | 80 |
| 1.75 | 1.7300 | 1.7700 | 30 | 60 | 280 | 410 | 40 | 80 |
| 1.80 | 1.7800 | 1.8200 | 30 | 60 | 220 | 350 | 40 | 80 |
| 1.85 | 1.8300 | 1.8700 | 30 | 60 | 220 | 350 | 40 | 80 |
| 1.90 | 1.8800 | 1.9200 | 30 | 60 | 220 | 350 | 40 | 80 |
| 1.95 | 1.9300 | 1.9700 | 30 | 60 | 220 | 350 | 40 | 80 |
| 2.00 | 1.9800 | 2.0200 | 30 | 60 | 200 | 320 | 40 | 80 |
| 2.05 | 2.0295 | 2.0705 | 35 | 70 | 200 | 320 | 40 | 80 |
| 2.10 | 2.0790 | 2.1210 | 35 | 70 | 200 | 320 | 40 | 80 |
| 2.15 | 2.1285 | 2.1715 | 35 | 70 | 200 | 320 | 40 | 80 |
| 2.20 | 2.1780 | 2.2220 | 35 | 70 | 200 | 320 | 40 | 80 |
| 2.25 | 2.2275 | 2.2725 | 35 | 70 | 200 | 320 | 40 | 80 |
| 2.30 | 2.2770 | 2.3230 | 35 | 70 | 200 | 320 | 40 | 80 |
| 2.35 | 2.3265 | 2.3735 | 35 | 70 | 200 | 320 | 40 | 80 |
| 2.40 | 2.3760 | 2.4240 | 35 | 70 | 200 | 320 | 40 | 80 |
| 2.45 | 2.4255 | 2.4745 | 35 | 70 | 200 | 320 | 40 | 80 |
| 2.50 | 2.4750 | 2.5250 | 35 | 70 | 160 | 260 | 40 | 80 |
| 2.55 | 2.5245 | 2.5755 | 35 | 70 | 160 | 260 | 40 | 80 |
| 2.60 | 2.5740 | 2.6260 | 35 | 70 | 160 | 260 | 40 | 80 |
| 2.65 | 2.6235 | 2.6765 | 35 | 70 | 160 | 260 | 40 | 80 |
| 2.70 | 2.6730 | 2.7270 | 35 | 70 | 160 | 260 | 40 | 80 |
| 2.75 | 2.7225 | 2.7775 | 35 | 70 | 160 | 260 | 40 | 80 |
| 2.80 | 2.7720 | 2.8280 | 35 | 70 | 160 | 260 | 40 | 80 |
| 2.85 | 2.8215 | 2.8785 | 35 | 70 | 160 | 260 | 40 | 80 |
| 2.90 | 2.8710 | 2.9290 | 35 | 70 | 160 | 260 | 40 | 80 |
| 2.95 | 2.9205 | 2.9795 | 35 | 70 | 160 | 260 | 40 | 80 |
| 3.00 | 2.9700 | 3.0300 | 43 | 85 | 120 | 200 | 40 | 80 |

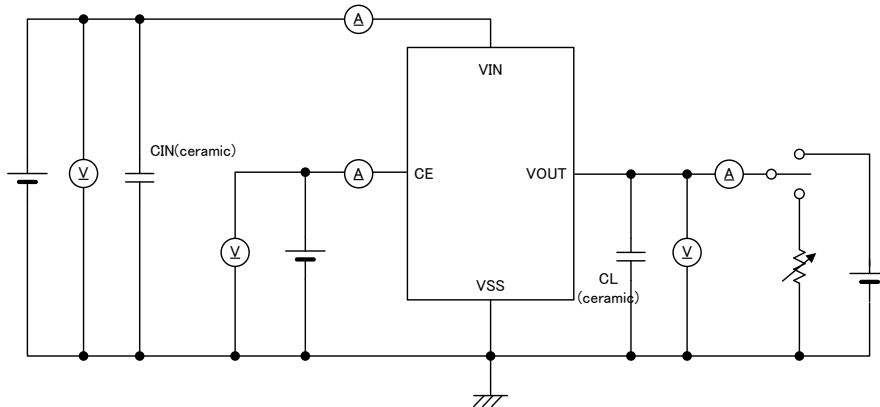
■ OUTPUT VOLTAGE CHART (Continued)

● Voltage Chart 2

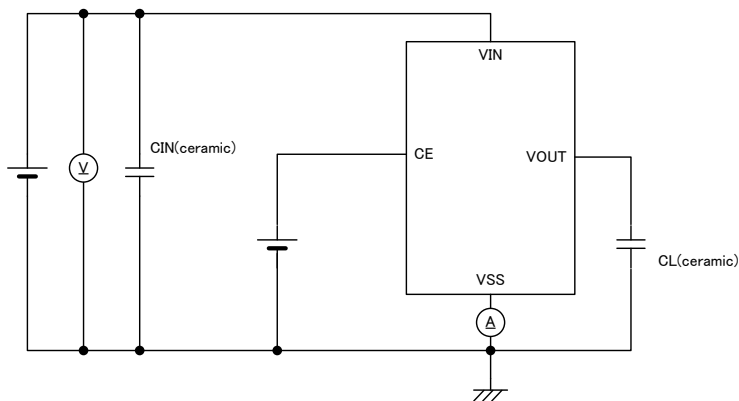
| NOMINAL OUTPUT VOLTAGE $V_{OUT(T)}$ (V) | OUTPUT VOLTAGE | | LOAD REGULATION E-1 | | DROPOUT VOLTAGE 1 E-2 | | DROPOUT VOLTAGE 2 E-3 | |
|--|------------------|--------|------------------------|------|--------------------------|------|--------------------------|------|
| | $V_{OUT(E)}$ (V) | | $\Delta V_{OUT}(V)$ | | $V_{dif}(mV)$ | | $V_{dif2}(mV)$ | |
| | MIN. | MAX. | TYP. | MAX. | TYP. | MAX. | TYP. | MAX. |
| 3.05 | 3.0195 | 3.0805 | 43 | 85 | 120 | 200 | 40 | 80 |
| 3.10 | 3.0690 | 3.1310 | 43 | 85 | 120 | 200 | 40 | 80 |
| 3.15 | 3.1185 | 3.1815 | 43 | 85 | 120 | 200 | 40 | 80 |
| 3.20 | 3.1680 | 3.2320 | 43 | 85 | 120 | 200 | 40 | 80 |
| 3.25 | 3.2175 | 3.2825 | 43 | 85 | 120 | 200 | 40 | 80 |
| 3.30 | 3.2670 | 3.3330 | 43 | 85 | 120 | 200 | 40 | 80 |
| 3.35 | 3.3165 | 3.3835 | 43 | 85 | 120 | 200 | 40 | 80 |
| 3.40 | 3.3660 | 3.4340 | 43 | 85 | 120 | 200 | 40 | 80 |
| 3.45 | 3.4155 | 3.4845 | 43 | 85 | 120 | 200 | 40 | 80 |
| 3.50 | 3.4650 | 3.5350 | 43 | 85 | 120 | 200 | 40 | 80 |
| 3.55 | 3.5145 | 3.5855 | 43 | 85 | 120 | 200 | 40 | 80 |
| 3.60 | 3.5640 | 3.6360 | 43 | 85 | 120 | 200 | 40 | 80 |
| 3.65 | 3.6135 | 3.6865 | 43 | 85 | 120 | 200 | 40 | 80 |
| 3.70 | 3.6630 | 3.7370 | 43 | 85 | 120 | 200 | 40 | 80 |
| 3.75 | 3.7125 | 3.7875 | 43 | 85 | 120 | 200 | 40 | 80 |
| 3.80 | 3.7620 | 3.8380 | 43 | 85 | 120 | 200 | 40 | 80 |
| 3.85 | 3.8115 | 3.8885 | 43 | 85 | 120 | 200 | 40 | 80 |
| 3.90 | 3.8610 | 3.9390 | 43 | 85 | 120 | 200 | 40 | 80 |
| 3.95 | 3.9105 | 3.9895 | 43 | 85 | 120 | 200 | 40 | 80 |
| 4.00 | 3.9600 | 4.0400 | 43 | 85 | 120 | 200 | 40 | 80 |
| 4.05 | 4.0095 | 4.0905 | 50 | 100 | 120 | 200 | 40 | 80 |
| 4.10 | 4.0590 | 4.1410 | 50 | 100 | 120 | 200 | 40 | 80 |
| 4.15 | 4.1085 | 4.1915 | 50 | 100 | 120 | 200 | 40 | 80 |
| 4.20 | 4.1580 | 4.2420 | 50 | 100 | 120 | 200 | 40 | 80 |
| 4.25 | 4.2075 | 4.2925 | 50 | 100 | 120 | 200 | 40 | 80 |
| 4.30 | 4.2570 | 4.3430 | 50 | 100 | 120 | 200 | 40 | 80 |
| 4.35 | 4.3065 | 4.3935 | 50 | 100 | 120 | 200 | 40 | 80 |
| 4.40 | 4.3560 | 4.4440 | 50 | 100 | 120 | 200 | 40 | 80 |
| 4.45 | 4.4055 | 4.4945 | 50 | 100 | 120 | 200 | 40 | 80 |
| 4.50 | 4.4550 | 4.5450 | 50 | 100 | 120 | 200 | 40 | 80 |
| 4.55 | 4.5045 | 4.5955 | 50 | 100 | 120 | 200 | 40 | 80 |
| 4.60 | 4.5540 | 4.6460 | 50 | 100 | 120 | 200 | 40 | 80 |
| 4.65 | 4.6035 | 4.6965 | 50 | 100 | 120 | 200 | 40 | 80 |
| 4.70 | 4.6530 | 4.7470 | 50 | 100 | 120 | 200 | 40 | 80 |
| 4.75 | 4.7025 | 4.7975 | 50 | 100 | 120 | 200 | 40 | 80 |
| 4.80 | 4.7520 | 4.8480 | 50 | 100 | 120 | 200 | 40 | 80 |
| 4.85 | 4.8015 | 4.8985 | 50 | 100 | 120 | 200 | 40 | 80 |
| 4.90 | 4.8510 | 4.9490 | 50 | 100 | 120 | 200 | 40 | 80 |
| 4.95 | 4.9005 | 4.9995 | 50 | 100 | 120 | 200 | 40 | 80 |
| 5.00 | 4.9500 | 5.0500 | 50 | 100 | 120 | 200 | 40 | 80 |

TEST CIRCUITS

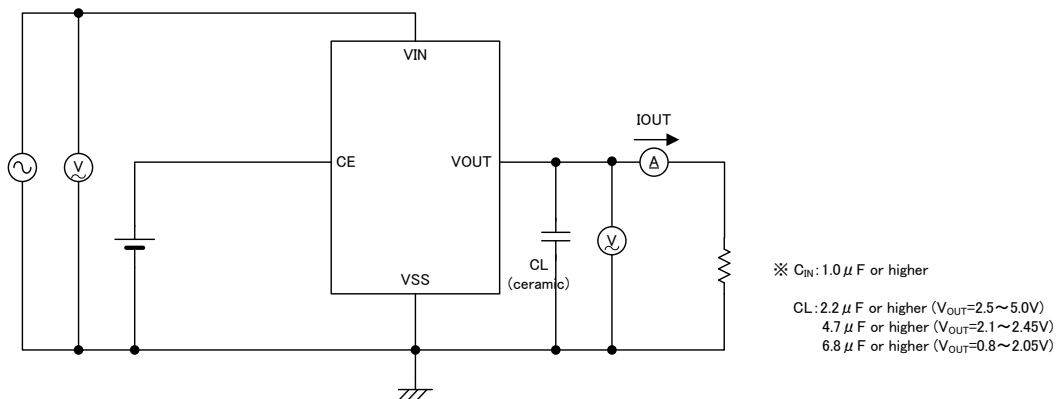
Circuit ①



Circuit ②

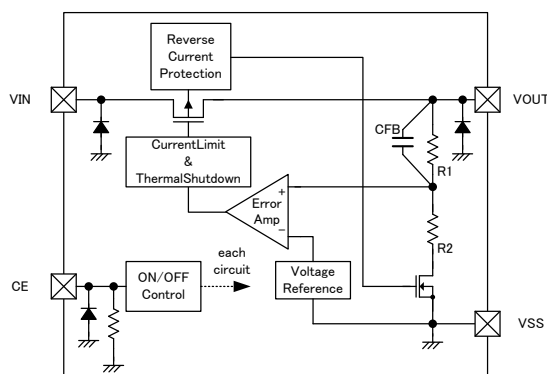


Circuit ③



■ OPERATIONAL EXPLANATION

The voltage divided by two resistors R1 and R2 is compared with the internal reference voltage by the error amplifier. The P-channel MOSFET connected to the V_{OUT} pin, is then driven by the subsequent output signal. The output voltage at the V_{OUT} pin is controlled and stabilized by a system of negative feedback. The current limit and short protection operate in relation to the level of output current. The thermal protection operates in relation to the level of heat generation. The reverse current protection operates when V_{OUT} voltage is higher than V_{IN} voltage. Further, the IC's internal circuitry can be turned off via the CE pin's signal.



XC6227Cseries

<Input and Output Capacitors>

The XC6227 needs an output capacitor C_L for phase compensation. Values required for the phase compensation are shown in the chart below. If a loss of the capacitance happens, stable phase compensation may not be obtained. Please ensure to use a capacitor which does not depend on bias or temperature too much. For a stable power input, please connect an input capacitor C_{IN} of 1.0μF between the V_{IN} pin and the V_{SS} pin.

● Output Capacitor (C_L) Table

| NOMINAL OUTPUT VOLTAGE V _{OUT(T)} | OUTPUT CAPACITOR C _L |
|--|---------------------------------|
| 0.8V ~ 2.05V | C _L =6.8μF |
| 2.1V ~ 2.45V | C _L =4.7μF |
| 2.5V ~ 5.00V | C _L =2.2μF |

<Reverse Current Protection>

The XC6227 series includes reverse current protection to prevent the damage as a result of current flow from V_{OUT} pin to the V_{IN} pin and V_{SS} pin when the power supply is connected to the V_{OUT} pin. When V_{IN} is smaller than V_{OUT}, the reverse current protection works and suppress the reverse current to 1.5μA (MAX.).

When V_{IN} is smaller than V_{OUT}, the V_{OUT} pin sink current flowing from the V_{OUT} pin to the V_{SS} pin is 2.8μA (TYP.) as the IC operation current.

Please also note when an external power supply is connected to the V_{OUT} pin, please use it within 6.0V.

<Current Limiter, Short-Circuit Protection>

The XC6227 series integrates an output current limiter and a fold-back short protection for the output pin. When the load current reaches the current limit level, the fixed current limiter circuit operates and output voltage drops. When the output pin is short-circuited to the V_{SS} pin, the current is decreased to a level of 55mA (TYP.).

<Thermal Shutdown>

When the junction temperature of the built-in driver transistor reaches the temperature limit level (150°C TYP.), the thermal shutdown circuit operates and the driver transistor will be turned OFF. The IC resumes its operation when the thermal shutdown function is released and the IC's operation is automatically restored because the junction temperature drops to the level of 125°C (TYP.) as the thermal shutdown release voltage.

<CE Pin>

The entire XC6227 circuitry can be turned off via the CE pin signal. In shutdown mode, output at the V_{OUT} pin will be pulled down to the V_{SS} level via R1 & R2.

The XC6227C type has a pull-down resistor in order to operate normally even the CE pin is left open (when the CE pin is left open, the IC stops operation), so that the CE pin input current flows.

If the CE pin voltage is set with the specified voltage range, the logic is fixed and the IC will operate normally. However, the supply current may increase as a result of shoot-through current in the IC's internal circuitry when a medium voltage is input to the CE pin.

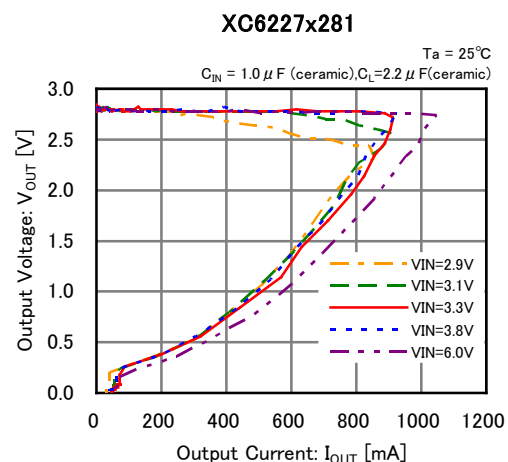
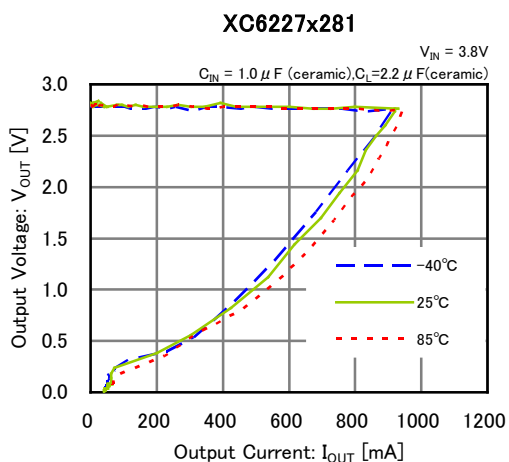
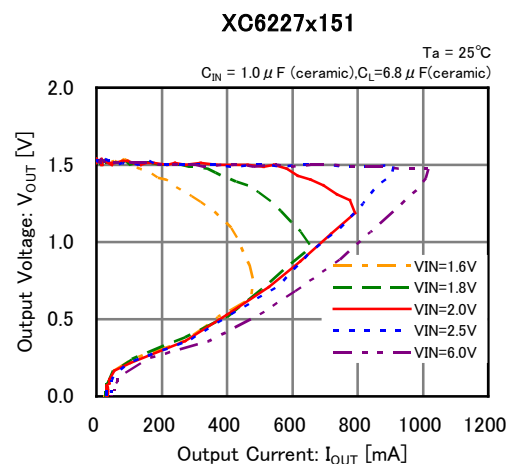
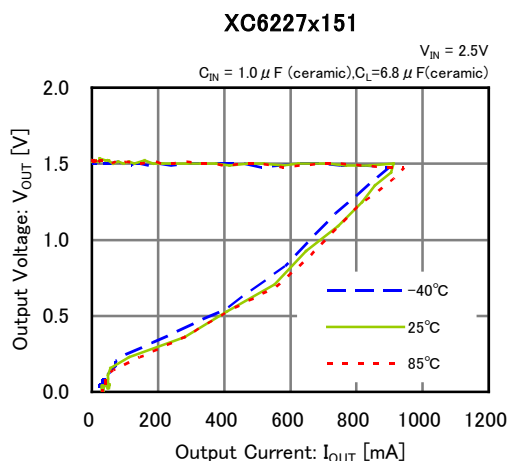
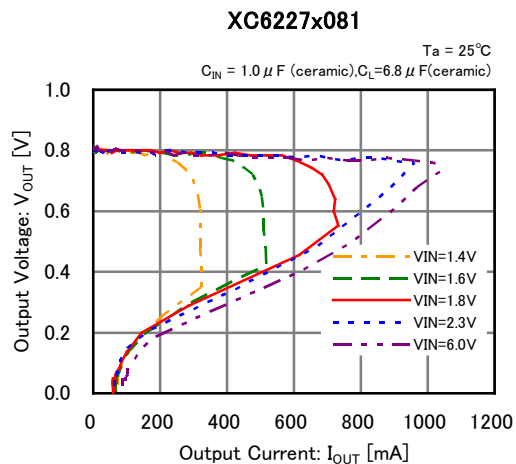
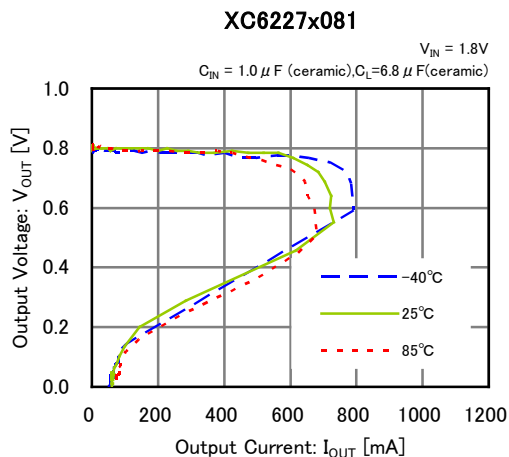
■ NOTES ON USE

1. For temporary, transitional voltage drop or voltage rising phenomenon, the IC is liable to malfunction should the ratings be exceeded.
2. Where wiring impedance is high, operations may become unstable due to noise and/or phase lag depending on output current.
Please wire the input capacitor (C_{IN}) and the output capacitor (C_L) as close to the IC as possible.
3. Torex places an importance on improving our products and its reliability.
However, by any possibility, we would request user fail-safe design and post-aging treatment on system or equipment.

TYPICAL PERFORMANCE CHARACTERISTICS

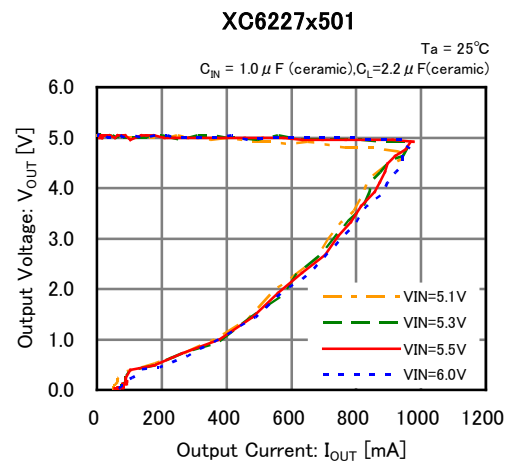
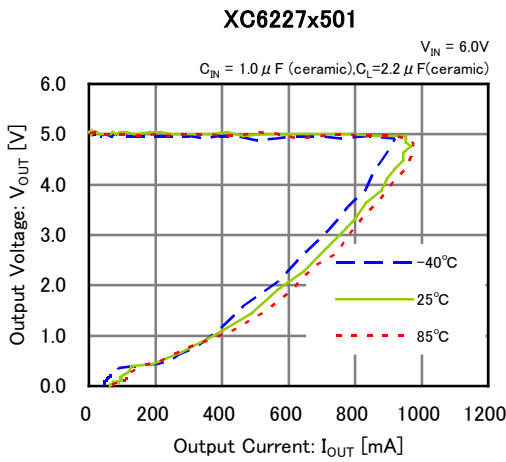
(1) Output Voltage vs. Output Current

*CE Voltage condition: unless otherwise stated $V_{CE}=V_{IN}$

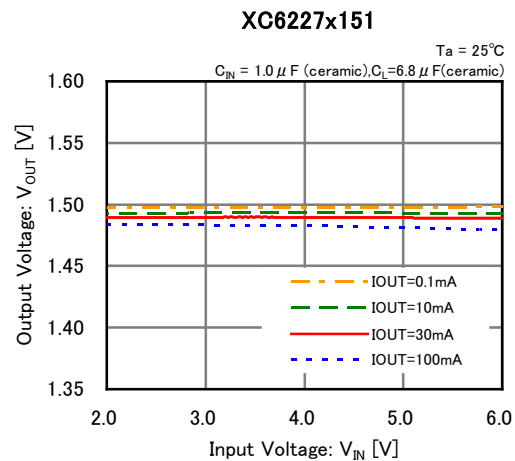
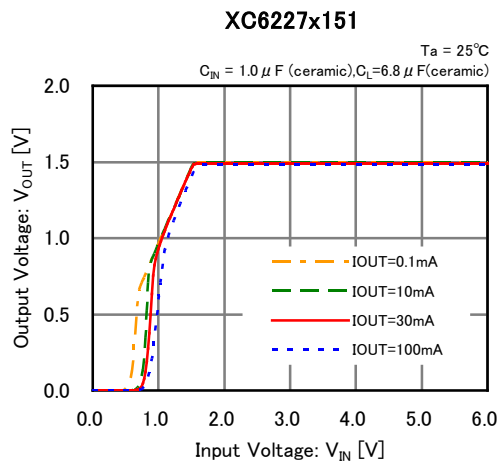
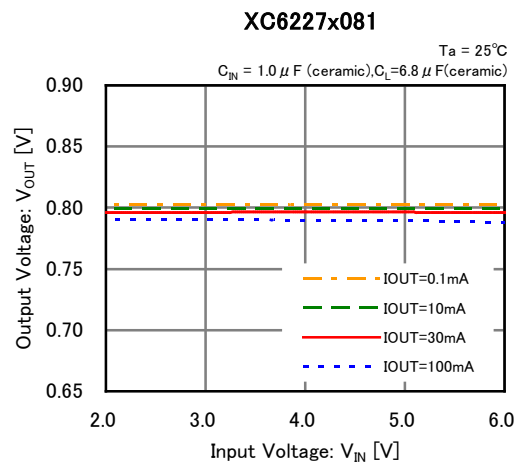
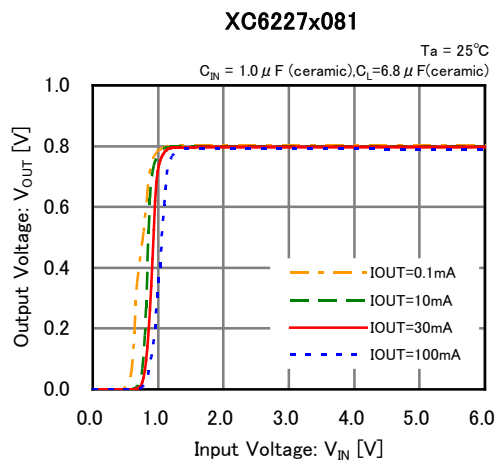


TYPICAL PERFORMANCE CHARACTERISTICS (Continued)

(1) Output Voltage vs. Output Current (Continued)

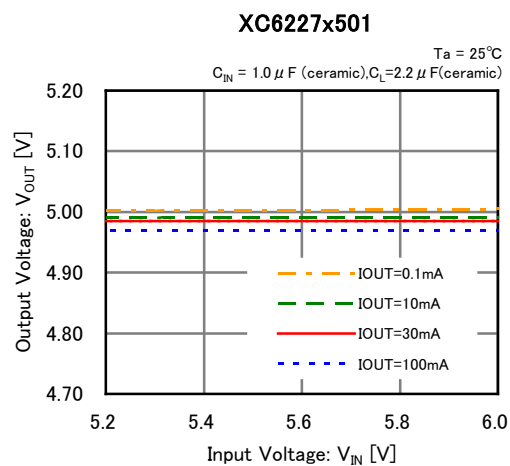
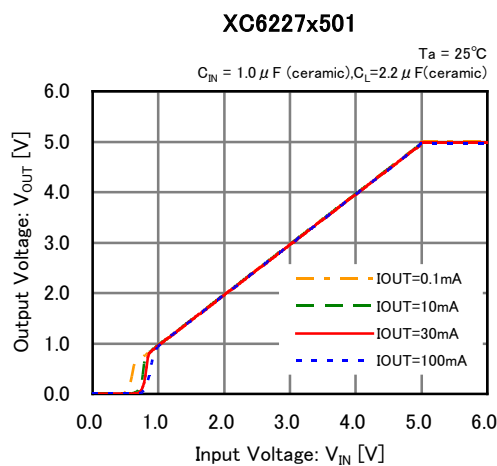
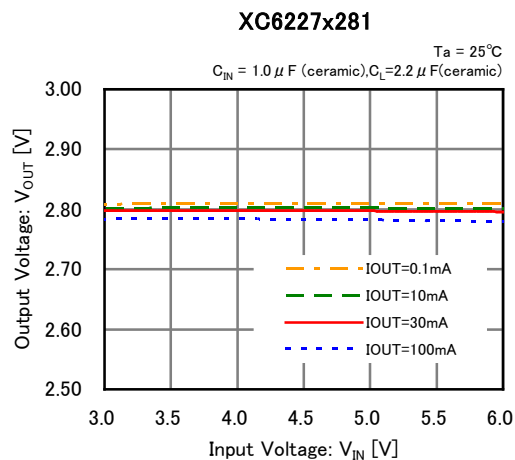
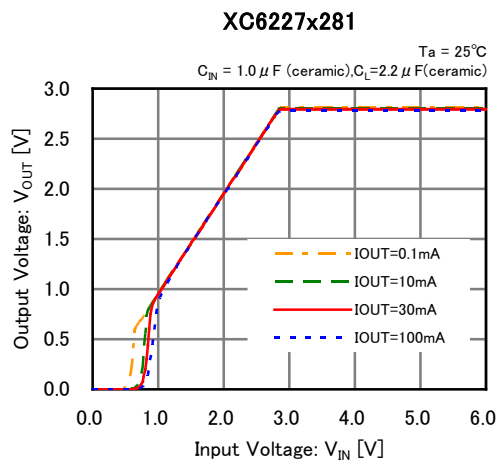


(2) Output Voltage vs. Input Voltage

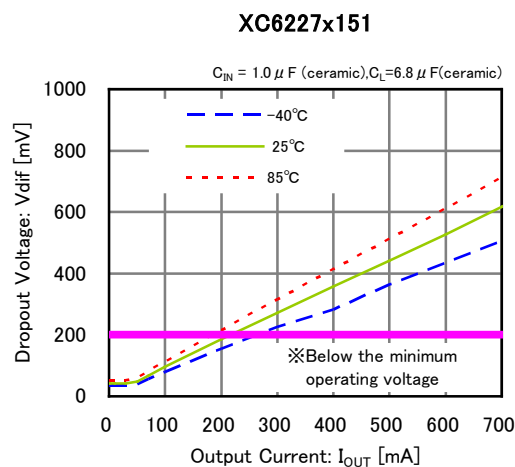
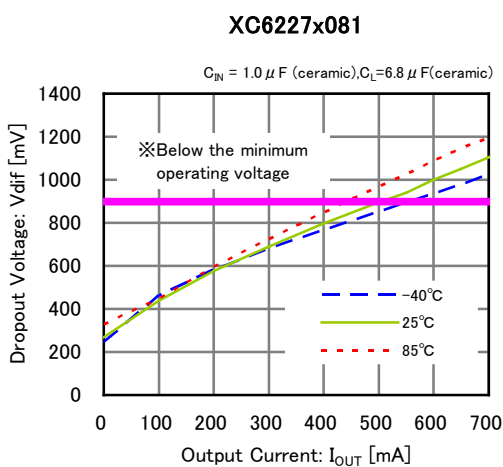


■ TYPICAL PERFORMANCE CHARACTERISTICS (Continued)

(2) Output Voltage vs. Input Voltage (Continued)

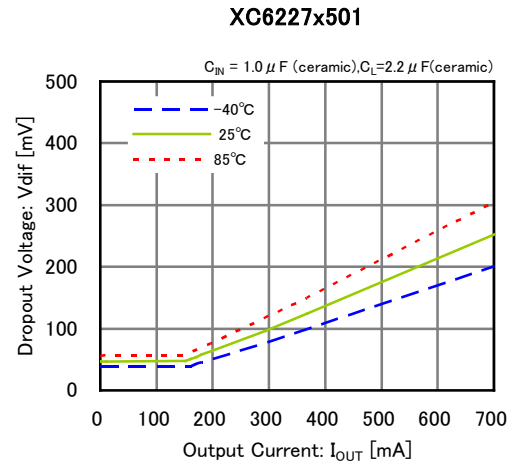
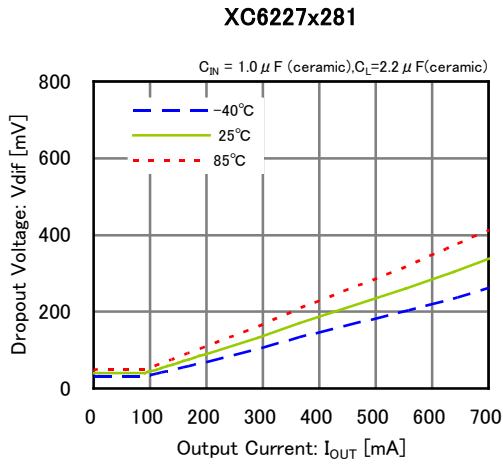


(3) Dropout Voltage vs. Output Current

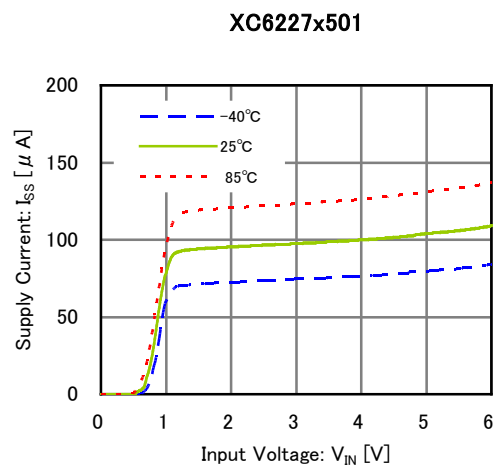
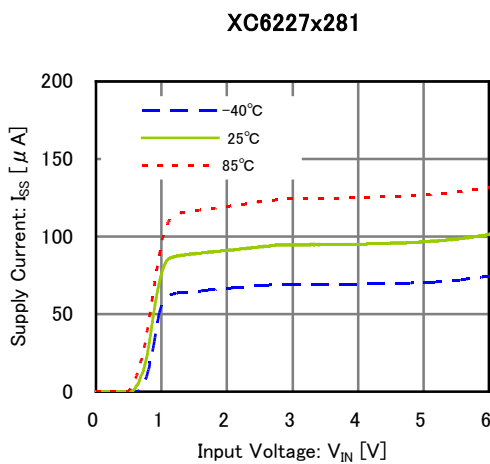
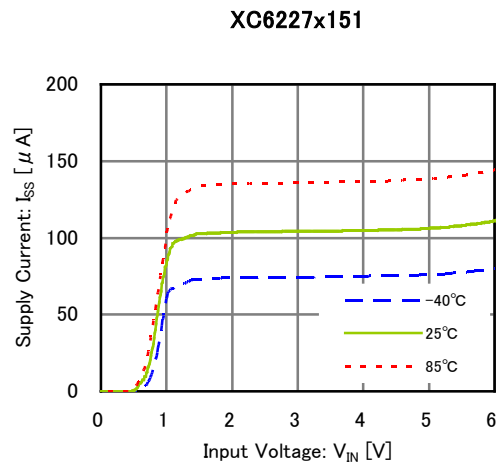
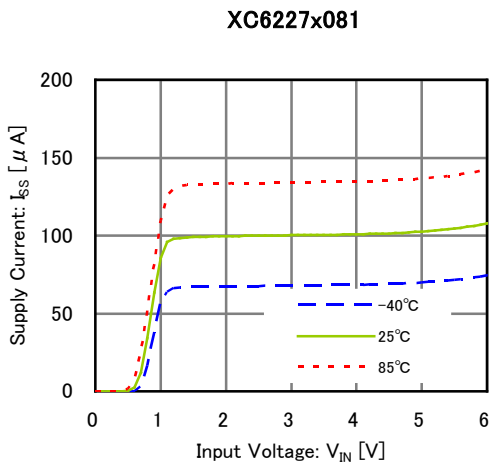


TYPICAL PERFORMANCE CHARACTERISTICS (Continued)

(3) Dropout Voltage vs. Output Current (Continued)

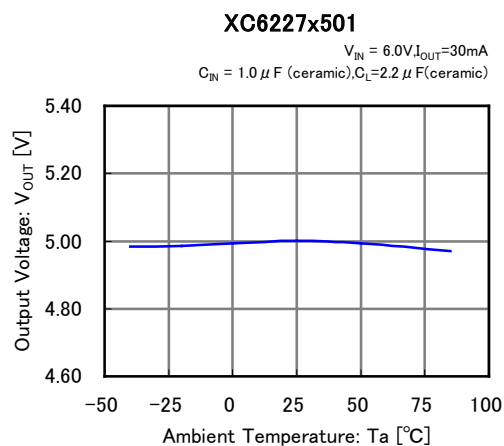
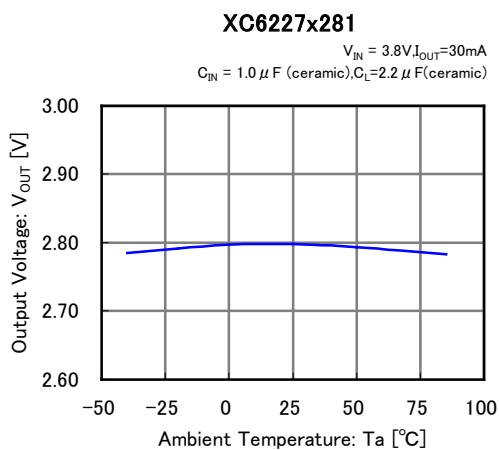
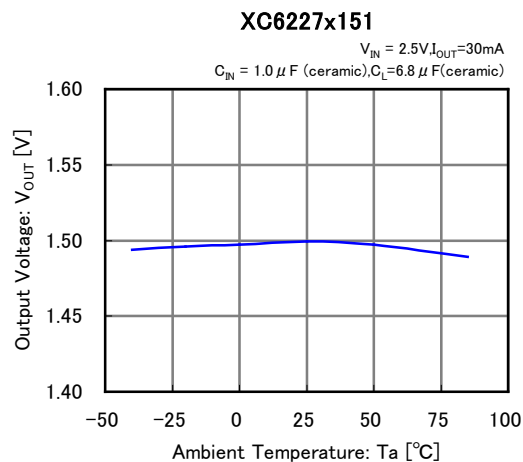
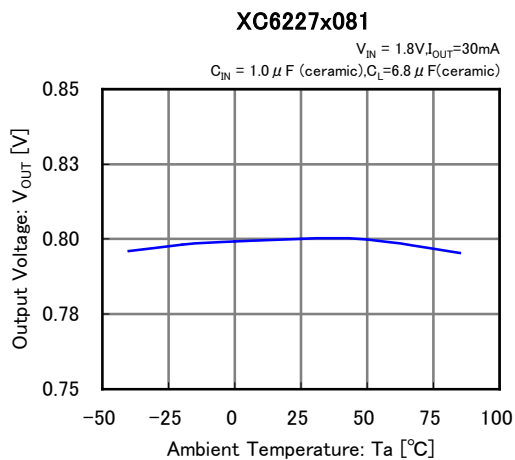


(4) Supply Current vs. Input Voltage

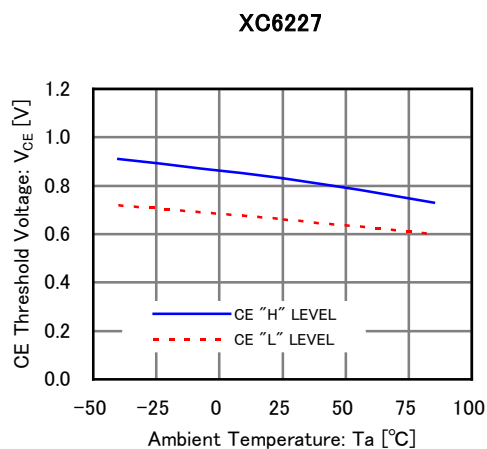


TYPICAL PERFORMANCE CHARACTERISTICS (Continued)

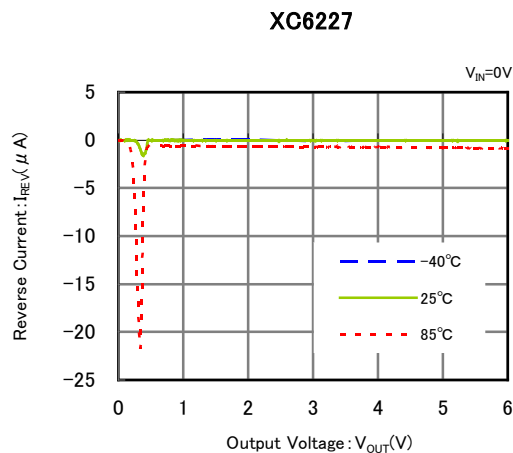
(5) Output Voltage vs. Ambient Temperature



(6) CE Pin Threshold Voltage vs. Ambient Temperature

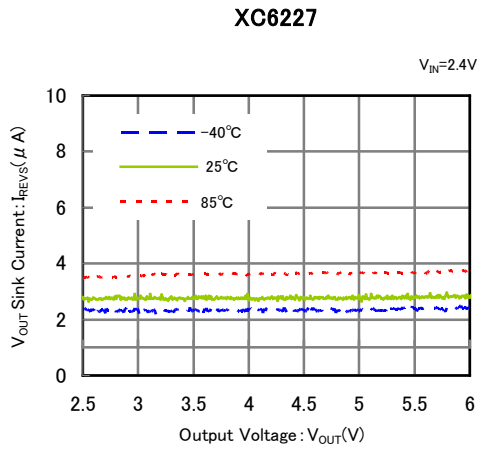


(7) Reverse Current vs. Output Voltage

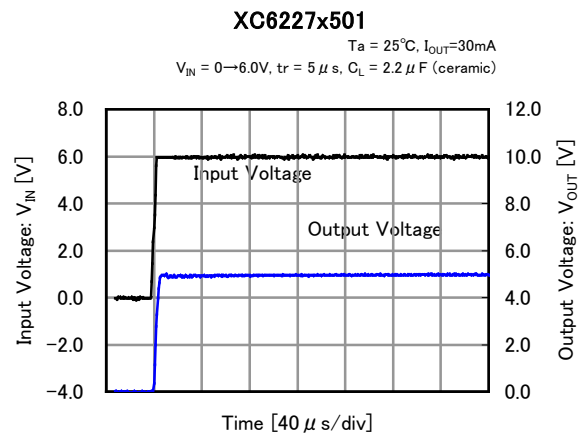
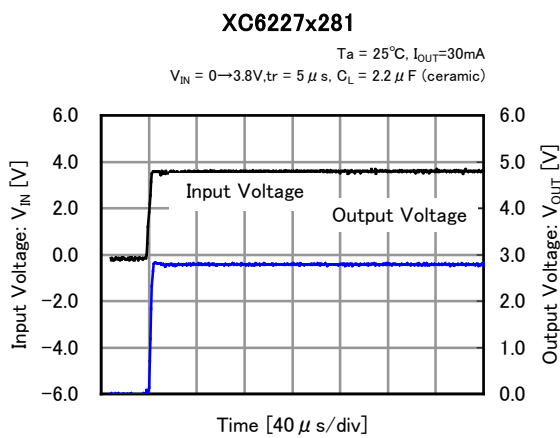
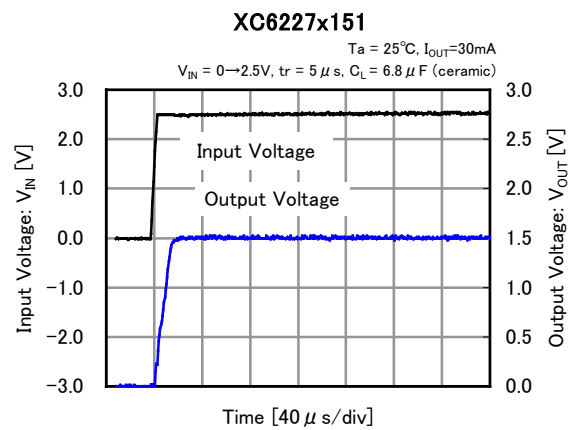
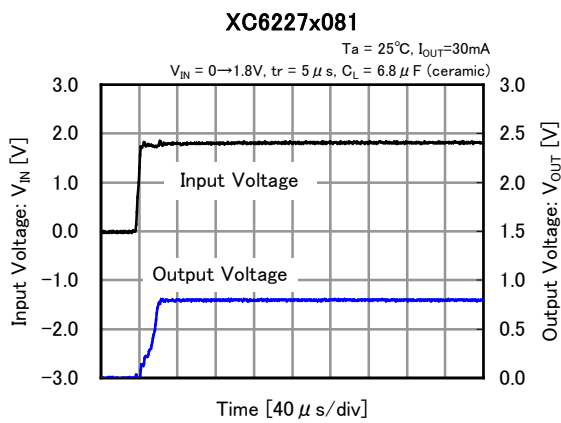


TYPICAL PERFORMANCE CHARACTERISTICS (Continued)

(8) V_{OUT} Sink Current vs. Output Voltage

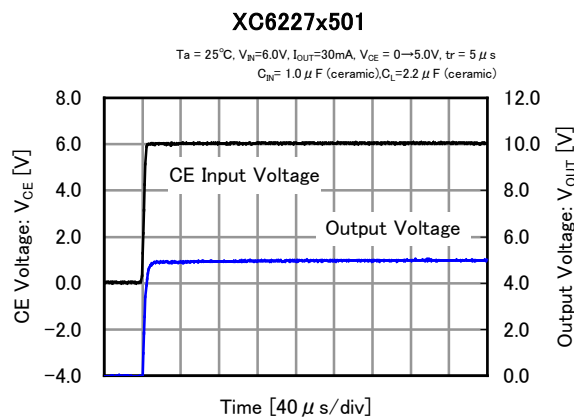
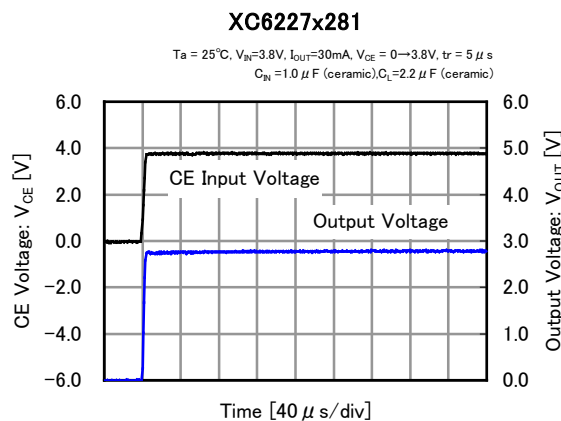
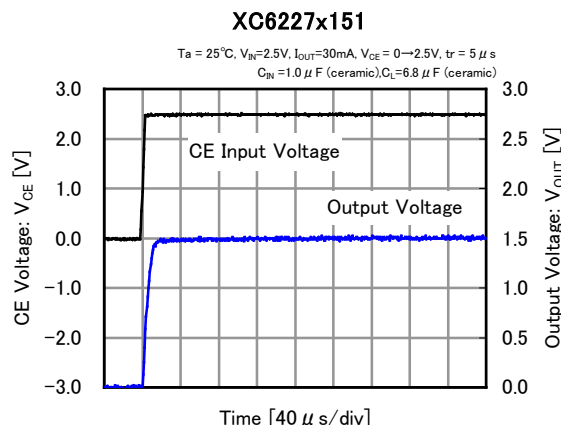
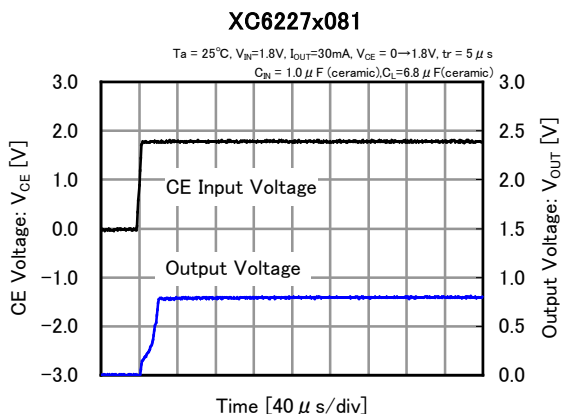


(9) Input Transient Response

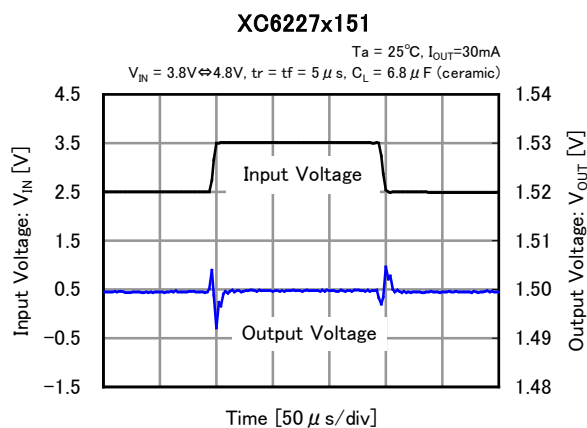
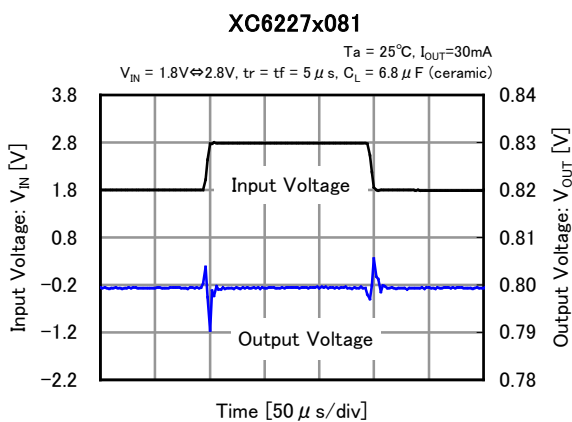


TYPICAL PERFORMANCE CHARACTERISTICS (Continued)

(10) CE Rising Response Time

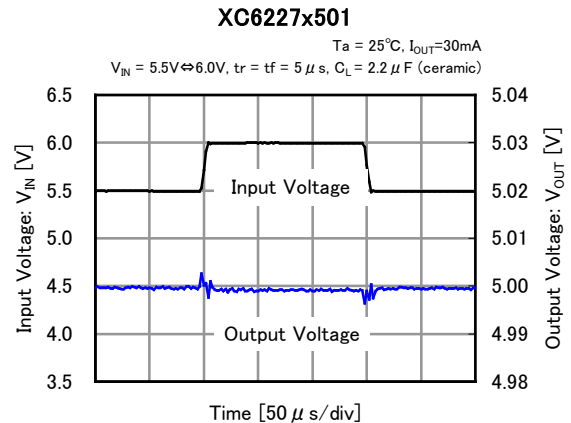
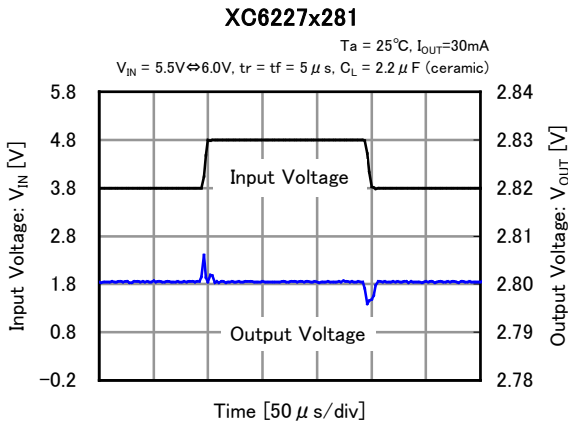


(11) Input Transient Response

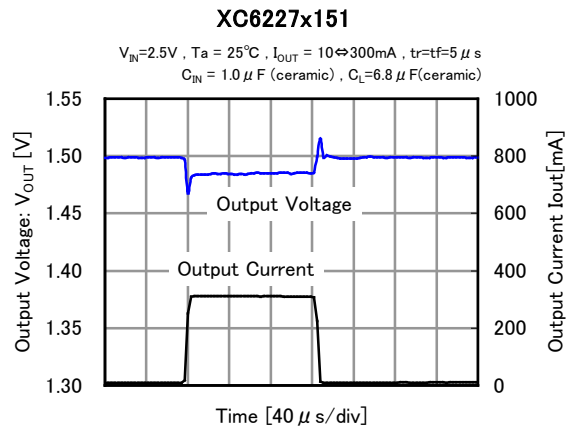
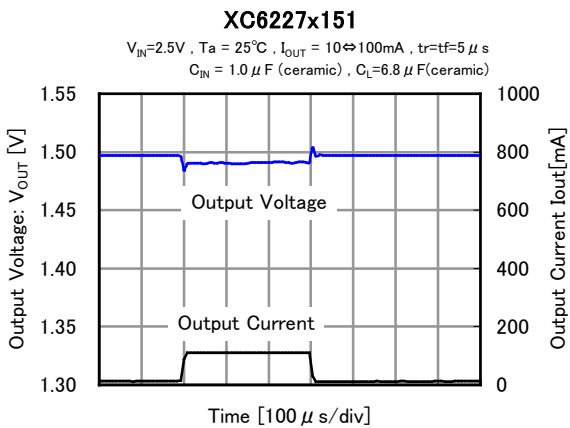
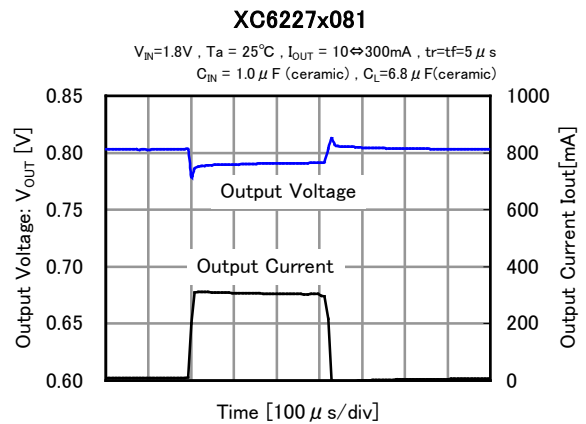
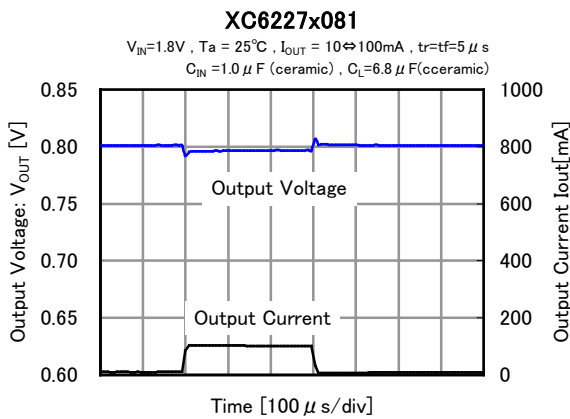


TYPICAL PERFORMANCE CHARACTERISTICS (Continued)

(11) Input Transient Response (Continued)

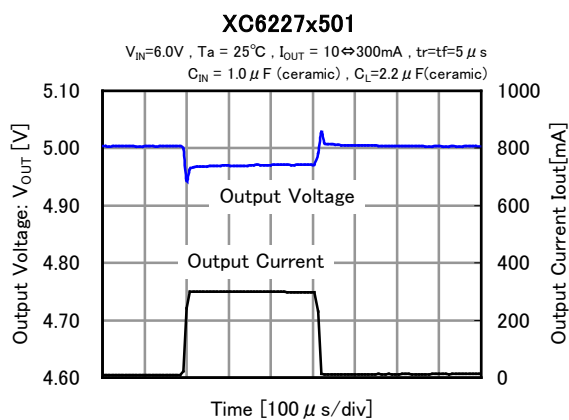
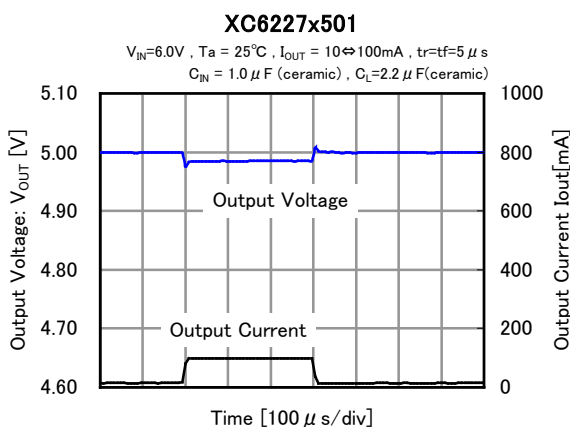
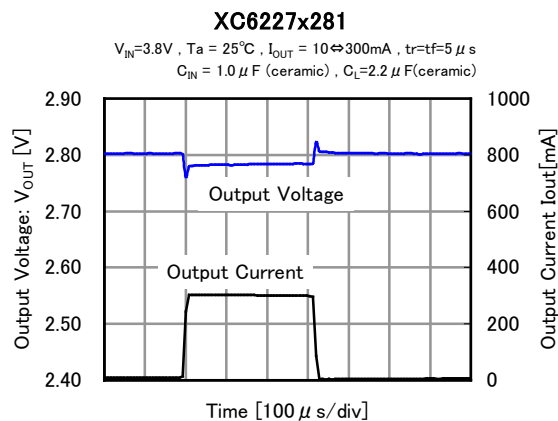
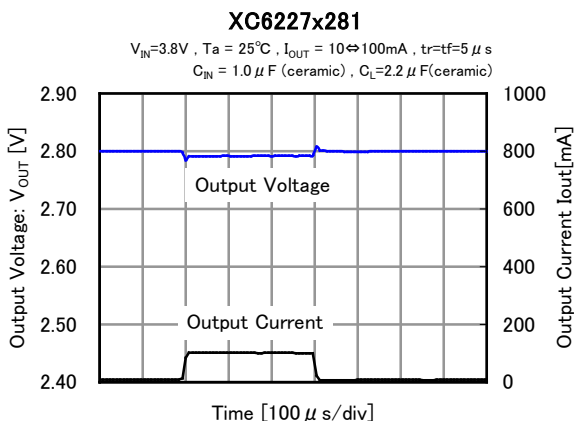


(12) Load Transient Response

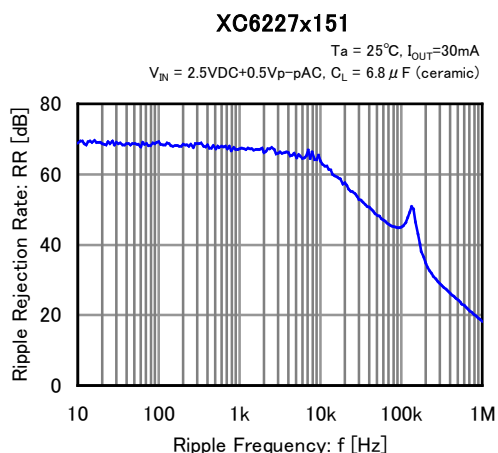
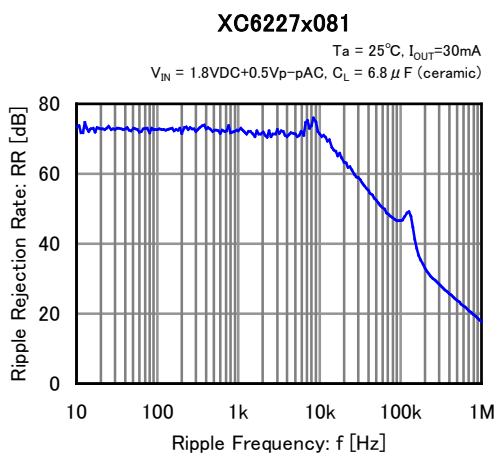


■ TYPICAL PERFORMANCE CHARACTERISTICS (Continued)

(12) Load Transient Response (Continued)

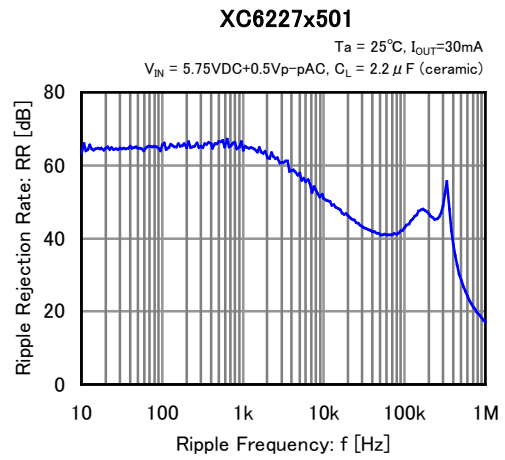
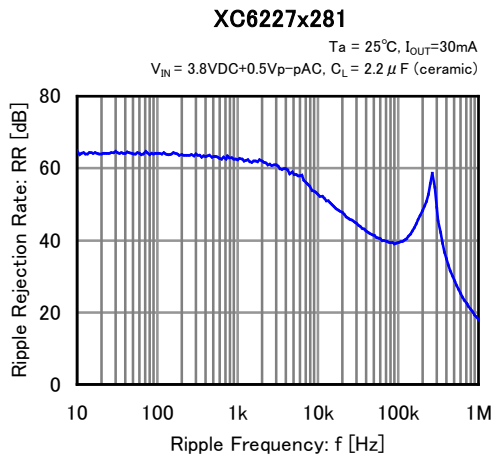


(13) Ripple Rejection Rate

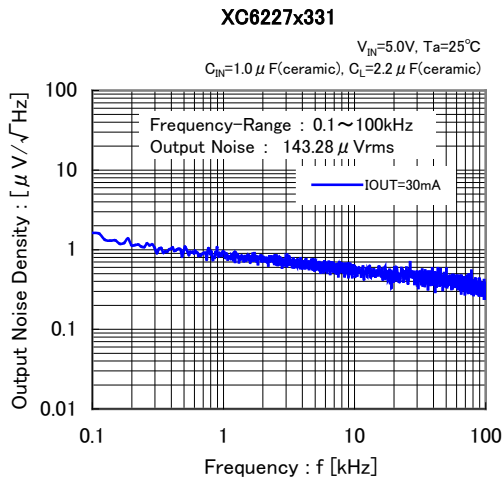
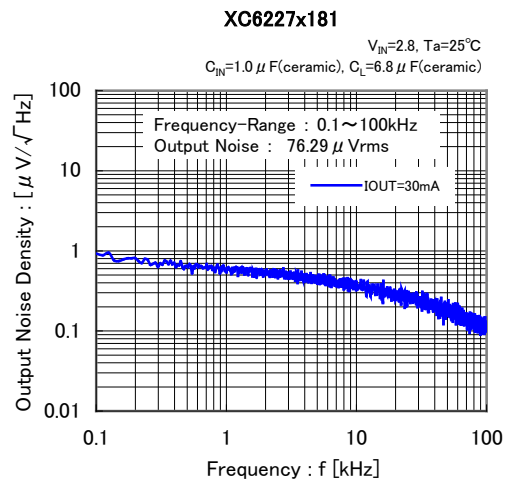
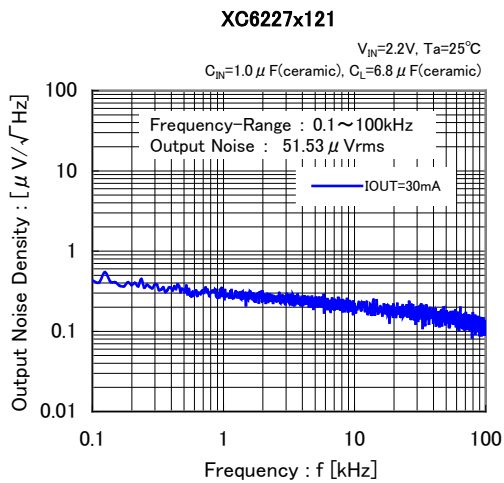


TYPICAL PERFORMANCE CHARACTERISTICS (Continued)

(13) Ripple Rejection Rate (Continued)



(14) Output Noise Density



■ PACKAGING INFORMATION

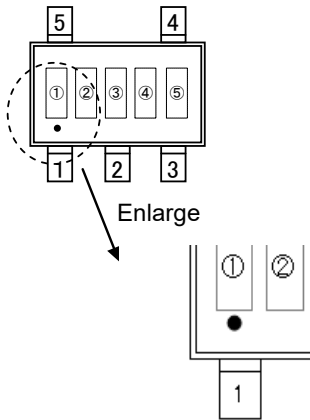
For the latest package information go to, www.torexsemi.com/technical-support/packages

| PACKAGE | OUTLINE / LAND PATTERN | THERMAL CHARACTERISTICS |
|----------|------------------------------|--|
| SOT-25 | SOT-25 PKG | SOT-25 Power Dissipation |
| SOT-89-5 | SOT-89-5 PKG | SOT-89-5 Power Dissipation |
| USP-6C | USP-6C PKG | USP-6C Power Dissipation |

MARKING RULE

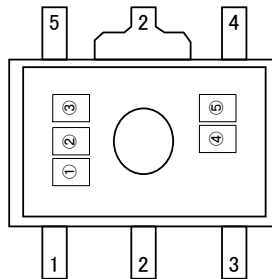
● SOT-25 / SOT-89-5 / USP-6C

● SOT-25

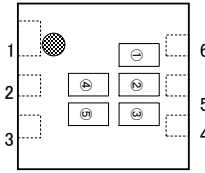


* SOT-25 Under dot

● SOT-89-5



● USP-6C



① represents product series

| MARK | PRODUCT SERIES |
|------|----------------|
| 3 | XC6227*****-G |

② represents regulator type, voltage range, and accuracy

| MARK | REGULATOR TYPE | OUTPUT VOLTAGE RANGE | ACCURACY | PRODUCT SERIES |
|------|----------------|----------------------|----------|-------------------------------|
| A | A | 0.8~2.9 | 1 | XC6227A081**-G~XC6227A291**-G |
| B | A | 0.85~2.95 | B | XC6227A08B**-G~XC6227A29B**-G |
| C | A | 3.0~5.0 | 1 | XC6227A301**-G~XC6227A501**-G |
| D | A | 3.05~4.95 | B | XC6227A30B**-G~XC6227A49B**-G |
| E | C | 0.8~2.9 | 1 | XC6227C081**-G~XC6227C291**-G |
| F | C | 0.85~2.95 | B | XC6227C08B**-G~XC6227C29B**-G |
| H | C | 3.0~5.0 | 1 | XC6227C301**-G~XC6227C501**-G |
| K | C | 3.05~4.95 | B | XC6227C30B**-G~XC6227C49B**-G |

* Accuracy "1"- 0.1V step, Accuracy "B"- 0.05V step

③ represents output voltage.

| MARK | OUTPUT VOLTAGE (V) | | MARK | OUTPUT VOLTAGE (V) | | MARK | OUTPUT VOLTAGE (V) | |
|------|--------------------|------|------|--------------------|------|------|--------------------|------|
| 0 | - | 3.0x | A | 1.0x | 4.0x | N | 2.0x | 5.0x |
| 1 | - | 3.1x | B | 1.1x | 4.1x | P | 2.1x | - |
| 2 | - | 3.2x | C | 1.2x | 4.2x | R | 2.2x | - |
| 3 | - | 3.3x | D | 1.3x | 4.3x | S | 2.3x | - |
| 4 | - | 3.4x | E | 1.4x | 4.4x | T | 2.4x | - |
| 5 | - | 3.5x | F | 1.5x | 4.5x | U | 2.5x | - |
| 6 | - | 3.6x | H | 1.6x | 4.6x | V | 2.6x | - |
| 7 | - | 3.7x | K | 1.7x | 4.7x | X | 2.7x | - |
| 8 | 0.8x | 3.8x | L | 1.8x | 4.8x | Y | 2.8x | - |
| 9 | 0.9x | 3.9x | M | 1.9x | 4.9x | Z | 2.9x | - |

④⑤ represents production lot number

01 to 09, 0A to 0Z, 11 to 9Z, A1 to A9, AA to Z9, ZA to ZZ repeated. (G, I, J, O, Q, W excluded)

* No character inversion used.

1. The product and product specifications contained herein are subject to change without notice to improve performance characteristics. Consult us, or our representatives before use, to confirm that the information in this datasheet is up to date.
2. The information in this datasheet is intended to illustrate the operation and characteristics of our products. We neither make warranties or representations with respect to the accuracy or completeness of the information contained in this datasheet nor grant any license to any intellectual property rights of ours or any third party concerning with the information in this datasheet.
3. Applicable export control laws and regulations should be complied and the procedures required by such laws and regulations should also be followed, when the product or any information contained in this datasheet is exported.
4. The product is neither intended nor warranted for use in equipment of systems which require extremely high levels of quality and/or reliability and/or a malfunction or failure which may cause loss of human life, bodily injury, serious property damage including but not limited to devices or equipment used in 1) nuclear facilities, 2) aerospace industry, 3) medical facilities, 4) automobile industry and other transportation industry and 5) safety devices and safety equipment to control combustions and explosions. Do not use the product for the above use unless agreed by us in writing in advance.
5. Although we make continuous efforts to improve the quality and reliability of our products; nevertheless Semiconductors are likely to fail with a certain probability. So in order to prevent personal injury and/or property damage resulting from such failure, customers are required to incorporate adequate safety measures in their designs, such as system fail safes, redundancy and fire prevention features.
6. Our products are not designed to be Radiation-resistant.
7. Please use the product listed in this datasheet within the specified ranges.
8. We assume no responsibility for damage or loss due to abnormal use.
9. All rights reserved. No part of this datasheet may be copied or reproduced unless agreed by Torex Semiconductor Ltd in writing in advance.

TOREX SEMICONDUCTOR LTD.