

16-Bit, +5V, 200ksp/s ADC with 10µA Shutdown

General Description

The MAX11100 low-power, 16-bit analog-to-digital converter (ADC) features a successive-approximation ADC, automatic power-down, fast 1.1µs wake-up, and a high-speed SPI/QSPI™/MICROWIRE®-compatible interface. The MAX11100 operates with a single +5V analog supply and features a separate digital supply, allowing direct interfacing with 2.7V to 5.25V digital logic.

At the maximum sampling rate of 200ksp/s, the MAX11100 typically consumes 2.45mA. Power consumption is typically 12.25mW ($V_{AVDD} = V_{DVDD} = +5V$) at a 200ksp/s (max) sampling rate. AutoShutdown™ reduces supply current to 140µA at 10ksp/s and to less than 10µA at reduced sampling rates.

Excellent dynamic performance and low power, combined with ease of use and small package size (10-pin µMAX® and 12-bump WLP), make the MAX11100 ideal for battery-powered and data-acquisition applications or for other circuits with demanding power consumption and space requirements.

Applications

- Motor Control
- Industrial Process Control
- Industrial I/O Modules
- Data-Acquisition Systems
- Thermocouple Measurements
- Accelerometer Measurements
- Portable- and Battery-Powered Equipment

Ordering Information appears at end of data sheet.

QSPI is a trademark of Motorola, Inc.

MICROWIRE is a registered trademark of National Semiconductor Corp.

AutoShutdown is a trademark and µMAX is a registered trademark of Maxim Integrated Products, Inc.

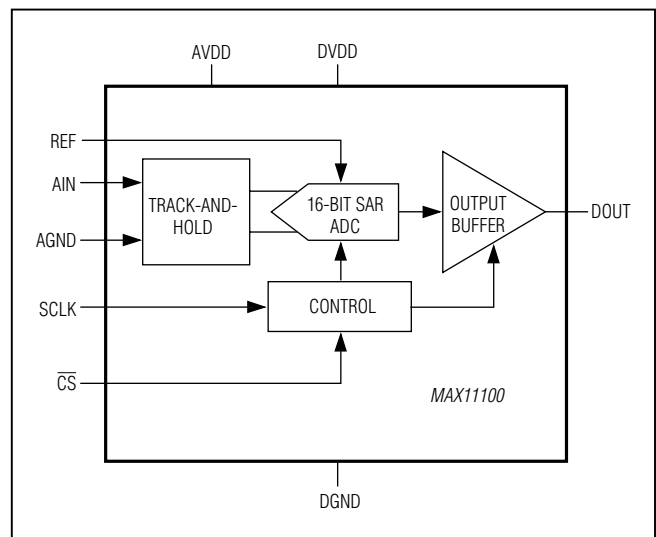
For related parts and recommended products to use with this part, refer to: www.maximintegrated.com/MAX11100.related

For pricing, delivery, and ordering information, please contact Maxim Direct at 1-888-629-4642, or visit Maxim Integrated's website at www.maximintegrated.com.

Features

- ◆ 16-Bit Resolution, No Missing Codes
- ◆ +5V Single-Supply Operation
- ◆ Adjustable Logic Level (2.7V to 5.25V)
- ◆ Input Voltage Range: 0 to V_{REF}
- ◆ Internal Track-and-Hold, 4MHz Input Bandwidth
- ◆ SPI/QSPI/MICROWIRE-Compatible Serial Interface
- ◆ Small 10-Pin µMAX and WLP Packages
- ◆ Low Power
 - 2.45mA at 200ksp/s
 - 140µA at 10ksp/s
 - 0.1µA in Power-Down Mode

Functional Diagram



MAX11100

16-Bit, +5V, 200ksps ADC with 10µA Shutdown

ABSOLUTE MAXIMUM RATINGS

| | | |
|------------------------------------|-------------------------------------|---|
| AVDD to AGND | -0.3V to +6V | Continuous Power Dissipation (T _A = +70°C) |
| DVDD to DGND | -0.3V to +6V | µMAX (derate 5.6mW/°C above +70°C) |
| DGND to AGND | -0.3V to +0.3V | WLP (derate 16.1mW/°C above +70°C)..... |
| AIN, REF to AGND | -0.3V to (V _{AVDD} + 0.3V) | Operating Temperature Range |
| SCLK, \overline{CS} to DGND..... | -0.3V to +6V | Maximum Junction Temperature..... |
| DOUT to DGND..... | -0.3V to (V _{DVDD} + 0.3V) | Storage Temperature Range..... |
| Maximum Current Into Any Pin | ±50mA | Lead Temperature (µMAX only; soldering, 10s)..... |
| | | Soldering Temperature (reflow) |

Note 1: All WLP devices are 100% production tested at T_A = +25°C. Specifications over temperature limits are guaranteed by design and characterization.

Stresses beyond those listed under "Absolute Maximum Ratings" may cause permanent damage to the device. These are stress ratings only, and functional operation of the device at these or any other conditions beyond those indicated in the operational sections of the specifications is not implied. Exposure to absolute maximum rating conditions for extended periods may affect device reliability.

ELECTRICAL CHARACTERISTICS

(V_{AVDD} = V_{DVDD} = 4.75V to 5.25V, f_{SCLK} = 4.8MHz (50% duty cycle), 24 clocks/conversion (200ksps), V_{REF} = 4.096V, C_{REF} = 4.7µF, T_A = T_{MIN} to T_{MAX}, unless otherwise noted. Typical values are at T_A = +25°C.)

| PARAMETER | SYMBOL | CONDITIONS | MIN | TYP | MAX | UNITS |
|---|-------------------|-----------------------|-----|--------|-------|--------------------|
| DC ACCURACY (Note 2) | | | | | | |
| Resolution | | | 16 | | | Bits |
| Relative Accuracy | INL | (Note 3) | -2 | | +2 | LSB |
| Differential Nonlinearity | DNL | | -1 | | +2 | LSB |
| Transition Noise | | RMS noise | | ±0.65 | | LSB _{RMS} |
| Offset Error | | | | 0.1 | 1 | mV |
| Gain Error | | (Note 4) | | ±0.002 | ±0.01 | %FSR |
| Offset Drift | | | | 0.4 | | ppm/°C |
| Gain Drift | | (Note 4) | | 0.2 | | ppm/°C |
| DYNAMIC SPECIFICATIONS (1kHz sine wave, 4.096V_{p-p}) (Note 2) | | | | | | |
| Signal-to-Noise Plus Distortion | SINAD | | 86 | 91.5 | | dB |
| Signal-to-Noise Ratio | SNR | | 87 | 91.7 | | dB |
| Total Harmonic Distortion | THD | | | -106 | -90 | dB |
| Spurious-Free Dynamic Range | SFDR | | 92 | 108 | | dB |
| Full-Power Bandwidth | | -3dB point | | 4 | | MHz |
| Full-Linear Bandwidth | | SINAD > 86dB | | 10 | | kHz |
| CONVERSION RATE | | | | | | |
| Conversion Time | t _{CONV} | (Note 5) | 5 | | 240 | µs |
| Serial Clock Frequency | f _{SCLK} | | 0.1 | | 4.8 | MHz |
| Aperture Delay | t _{AD} | | | 15 | | ns |
| Aperture Jitter | t _{AJ} | | | < 50 | | ps |
| Sample Rate | f _S | f _{SCLK} /24 | | | 200 | ksps |
| Track/Hold Acquisition Time | t _{ACQ} | | 1.1 | | | µs |

MAX11100

16-Bit, +5V, 200ksps ADC with 10 μ A Shutdown

ELECTRICAL CHARACTERISTICS (continued)

($V_{AVDD} = V_{DVDD} = 4.75V$ to $5.25V$, $f_{SCLK} = 4.8MHz$ (50% duty cycle), 24 clocks/conversion (200ksps), $V_{REF} = 4.096V$, $C_{REF} = 4.7\mu F$, $T_A = T_{MIN}$ to T_{MAX} , unless otherwise noted. Typical values are at $T_A = +25^\circ C$.)

| PARAMETER | SYMBOL | CONDITIONS | MIN | TYP | MAX | UNITS |
|--|-----------------------|--|-----------------------|-----------|-----------------------|---------|
| ANALOG INPUT (AIN) | | | | | | |
| Input Range | V_{AIN} | | 0 | | V_{REF} | V |
| Input Capacitance | C_{AIN} | | | 40 | | pF |
| Input Leakage Current | | SCLK idle | | 0.01 | 10 | μA |
| EXTERNAL REFERENCE | | | | | | |
| Input-Voltage Range | V_{REF} | | 3.8 | | V_{AVDD} | V |
| Input Current | I_{REF} | $V_{REF} = 4.096V$, $f_{SCLK} = 4.8MHz$ | | 60 | 150 | μA |
| | | $V_{REF} = 4.096V$, SCLK idle | | 0.01 | 10 | |
| | | $\overline{CS} = DVDD$, SCLK idle | | 0.01 | | |
| DIGITAL INPUTS (SCLK, \overline{CS}) | | | | | | |
| Input High Voltage | V_{IH} | $V_{DVDD} = 2.7V$ to $5.25V$ | $0.7 \times V_{DVDD}$ | | | V |
| Input Low Voltage | V_{IL} | $V_{DVDD} = 2.7V$ to $5.25V$ | | | $0.3 \times V_{DVDD}$ | V |
| Input Leakage Current | I_{IN} | $V_{IN} = 0$ to V_{DVDD} | | ± 0.1 | ± 1 | μA |
| Input Hysteresis | V_{HYST} | | | 0.2 | | V |
| Input Capacitance | C_{IN} | | | 15 | | pF |
| DIGITAL OUTPUT (DOUT) | | | | | | |
| Output High Voltage | V_{OH} | $I_{SOURCE} = 0.5mA$, $V_{DVDD} = 2.7V$ to $5.25V$ | $V_{DVDD} - 0.25$ | | | V |
| Output Low Voltage | V_{OL} | $I_{SINK} = 2mA$, $V_{DVDD} = 2.7V$ to $5.25V$ | | | 0.4 | V |
| Three-State Output Leakage Current | I_L | $\overline{CS} = DVDD$ | | ± 0.1 | ± 10 | μA |
| Three-State Output Capacitance | C_{OUT} | $\overline{CS} = DVDD$ | | 15 | | pF |
| POWER SUPPLIES | | | | | | |
| Analog Supply | V_{AVDD} | | 4.75 | | 5.25 | V |
| Digital Supply | V_{DVDD} | | 2.7 | | 5.25 | V |
| Analog Supply Current | I_{AVDD} | $\overline{CS} = DGND$, 200ksps | | 1.85 | 2.5 | mA |
| Digital Supply Current | I_{DVDD} | $\overline{CS} = DGND$, DOUT = all zeros, 200ksps | | 0.6 | 1.0 | mA |
| Shutdown Supply Current | $I_{AVDD} + I_{DVDD}$ | $\overline{CS} = DVDD$, SCLK = idle | | 0.1 | 10 | μA |
| Power-Supply Rejection Ratio | PSRR | $V_{AVDD} = V_{DVDD} = 4.75V$ to $5.25V$, full-scale input (Note 6) | | 68 | | dB |

MAX11100

16-Bit, +5V, 200ksps ADC with 10 μ A Shutdown

TIMING CHARACTERISTICS

($V_{AVDD} = V_{DVDD} = 4.75V$ to $5.25V$, $f_{SCLK} = 4.8MHz$ (50% duty cycle), 24 clocks/conversion (200ksps), $V_{REF} = 4.096V$, $T_A = T_{MIN}$ to T_{MAX} , unless otherwise noted. Typical values are at $T_A = +25^{\circ}C$.) (See [Figure 1](#), [Figure 2](#), [Figure 3](#), and [Figure 6](#).)

| PARAMETER | SYMBOL | CONDITIONS | MIN | TYP | MAX | UNITS |
|---|-----------|-------------------|-----|-----|-----|---------|
| Acquisition Time | t_{ACQ} | | 1.1 | | | μs |
| SCLK to DOUT Valid | t_{DO} | $C_{DOUT} = 50pF$ | | | 50 | ns |
| \overline{CS} Fall to DOUT Enable | t_{DV} | $C_{DOUT} = 50pF$ | | | 80 | ns |
| \overline{CS} Rise to DOUT Disable | t_{TR} | $C_{DOUT} = 50pF$ | | | 80 | ns |
| \overline{CS} Pulse Width | t_{CSW} | | 50 | | | ns |
| \overline{CS} Fall to SCLK Rise Setup | t_{CSS} | | 100 | | | ns |
| \overline{CS} Rise to SCLK Rise Hold | t_{CSH} | | | | 0 | ns |
| SCLK High Pulse Width | t_{CH} | | 65 | | | ns |
| SCLK Low Pulse Width | t_{CL} | | 65 | | | ns |
| SCLK Period | t_{CP} | | 208 | | | ns |

TIMING CHARACTERISTICS

($V_{AVDD} = 4.75V$ to $5.25V$, $V_{DVDD} = 2.7V$ to $5.25V$, $f_{SCLK} = 4.8MHz$ (50% duty cycle), 24 clocks/conversion (200ksps), $V_{REF} = 4.096V$, $T_A = T_{MIN}$ to T_{MAX} , unless otherwise noted. Typical values are at $T_A = +25^{\circ}C$.) (See [Figure 1](#), [Figure 2](#), [Figure 3](#), and [Figure 6](#).)

| PARAMETER | SYMBOL | CONDITIONS | MIN | TYP | MAX | UNITS |
|---|-----------|-------------------|-----|-----|-----|---------|
| Acquisition Time | t_{ACQ} | | 1.1 | | | μs |
| SCLK to DOUT Valid | t_{DO} | $C_{DOUT} = 50pF$ | | | 100 | ns |
| \overline{CS} Fall to DOUT Enable | t_{DV} | $C_{DOUT} = 50pF$ | | | 100 | ns |
| \overline{CS} Rise to DOUT Disable | t_{TR} | $C_{DOUT} = 50pF$ | | | 80 | ns |
| \overline{CS} Pulse Width | t_{CSW} | | 50 | | | ns |
| \overline{CS} Fall to SCLK Rise Setup | t_{CSS} | | 100 | | | ns |
| \overline{CS} Rise to SCLK Rise Hold | t_{CSH} | | | | 0 | ns |
| SCLK High Pulse Width | t_{CH} | | 65 | | | ns |
| SCLK Low Pulse Width | t_{CL} | | 65 | | | ns |
| SCLK Period | t_{CP} | | 208 | | | ns |

Note 2: $V_{AVDD} = V_{DVDD} = +5V$.

Note 3: Relative accuracy is the deviation of the analog value at any code from its theoretical value after the full-scale range has been calibrated.

Note 4: Offset and reference errors nulled.

Note 5: Conversion time is defined as the number of clock cycles multiplied by the clock period; clock has 50% duty cycle.

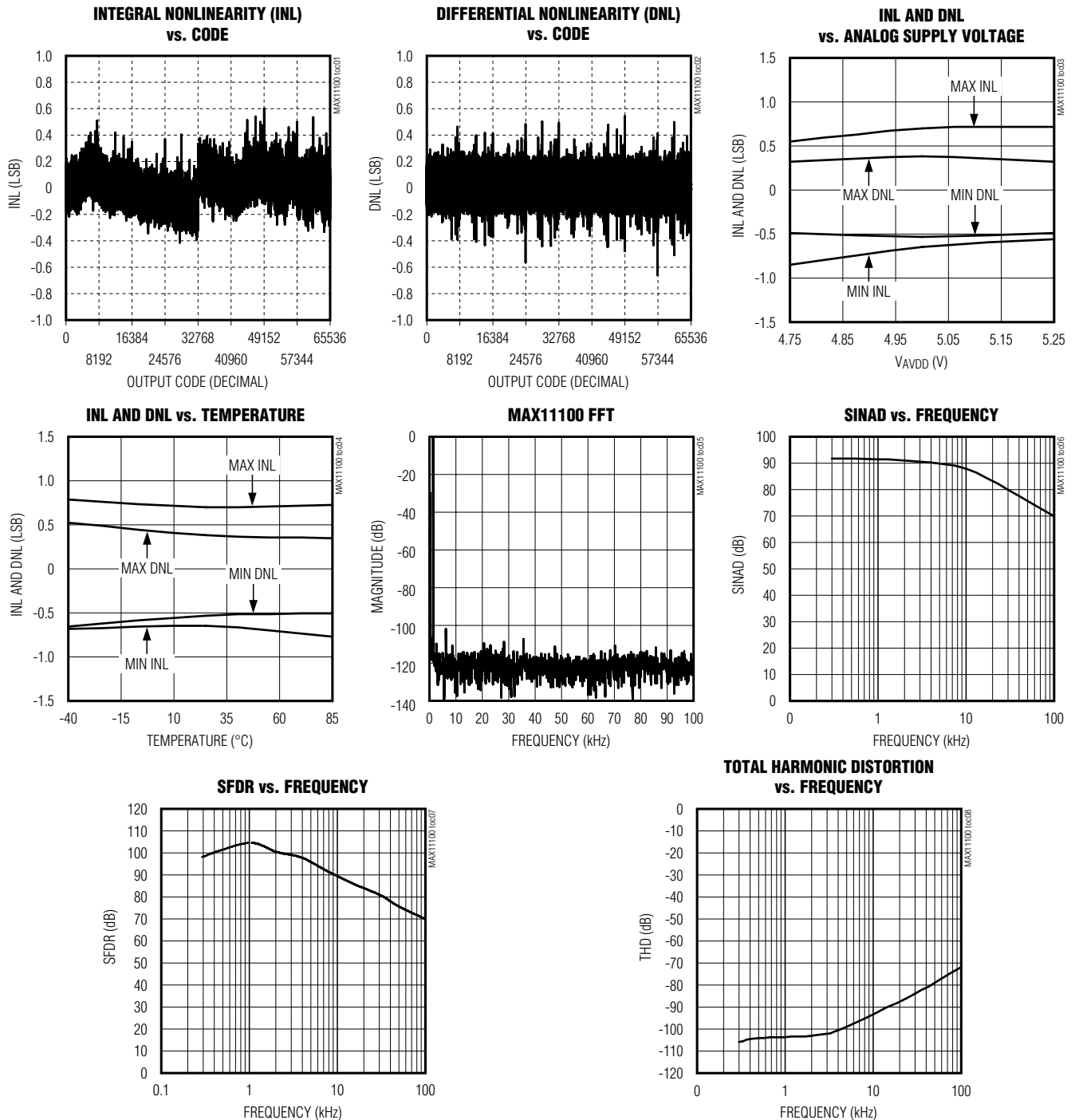
Note 6: Defined as the change in positive full scale caused by a $\pm 5\%$ variation in the nominal supply voltage.

MAX11100

16-Bit, +5V, 200ksp/s ADC with 10µA Shutdown

Typical Operating Characteristics

($V_{AVDD} = V_{DVDD} = 5V$, $f_{SCLK} = 4.8MHz$, $C_{LOAD} = 50pF$, $C_{REF} = 4.7\mu F$, $V_{REF} = 4.096V$, $T_A = +25^\circ C$, unless otherwise noted.)

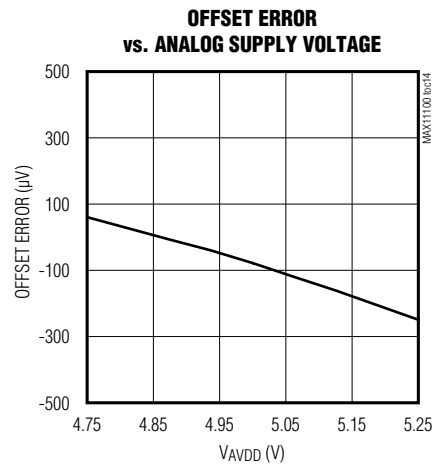
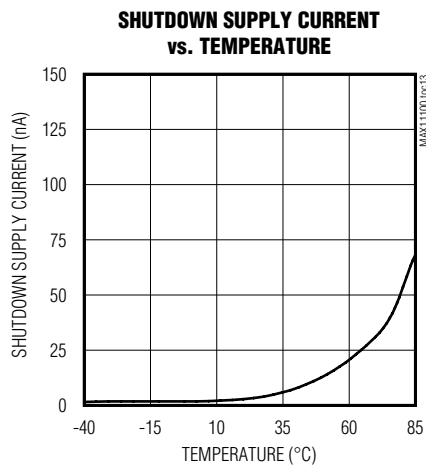
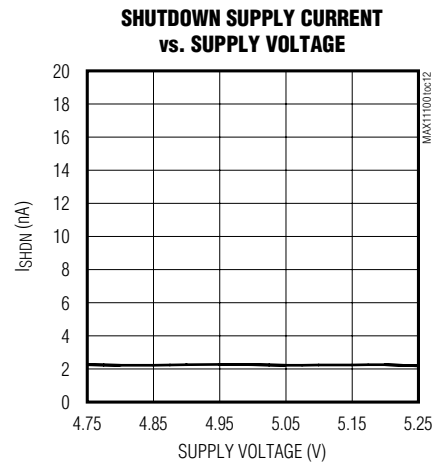
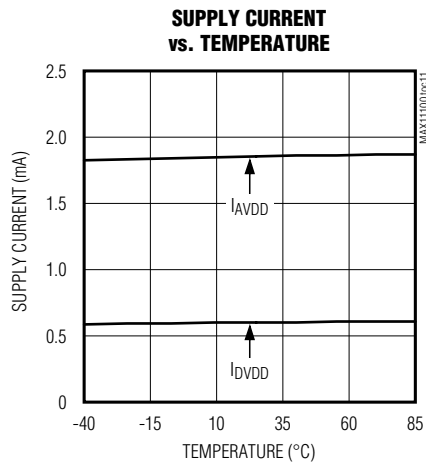
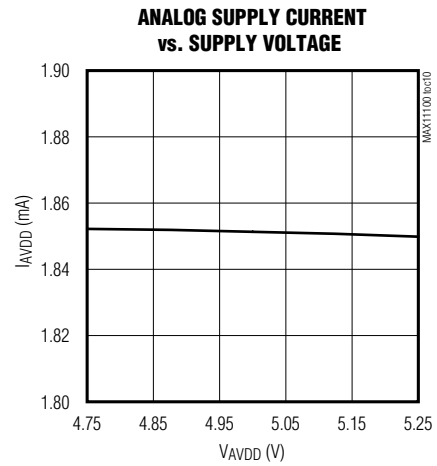
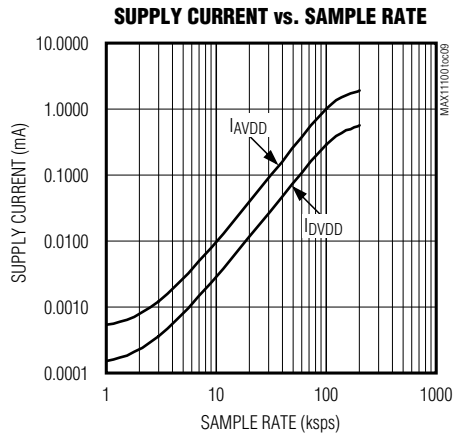


MAX11100

16-Bit, +5V, 200ksp/s ADC with 10 μ A Shutdown

Typical Operating Characteristics (continued)

($V_{AVDD} = V_{DVDD} = 5V$, $f_{SCLK} = 4.8MHz$, $C_{LOAD} = 50pF$, $C_{REF} = 4.7\mu F$, $V_{REF} = 4.096V$, $T_A = +25^\circ C$, unless otherwise noted.)

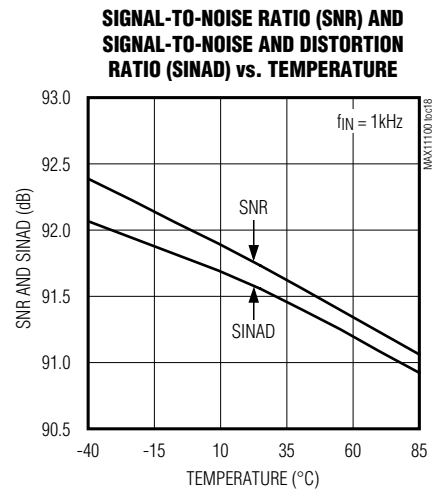
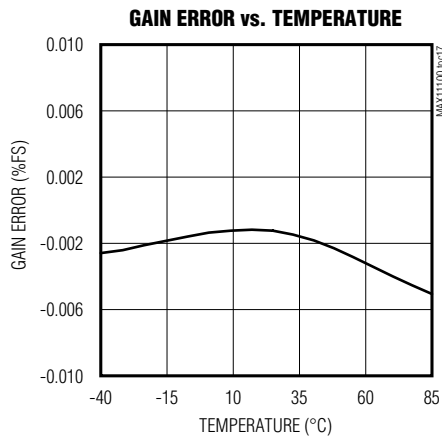
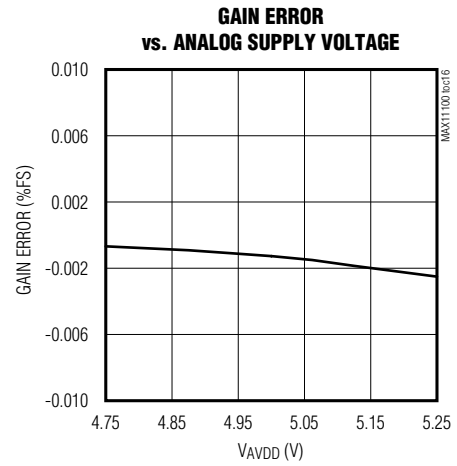
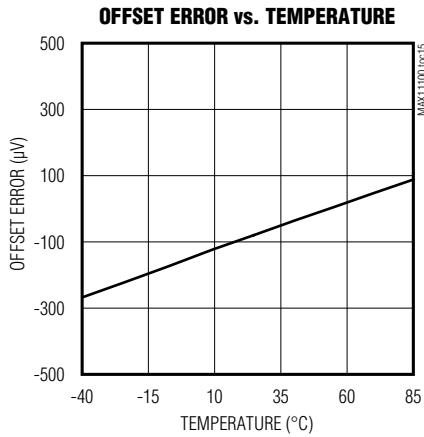


MAX11100

16-Bit, +5V, 200kps ADC with 10 μ A Shutdown

Typical Operating Characteristics (continued)

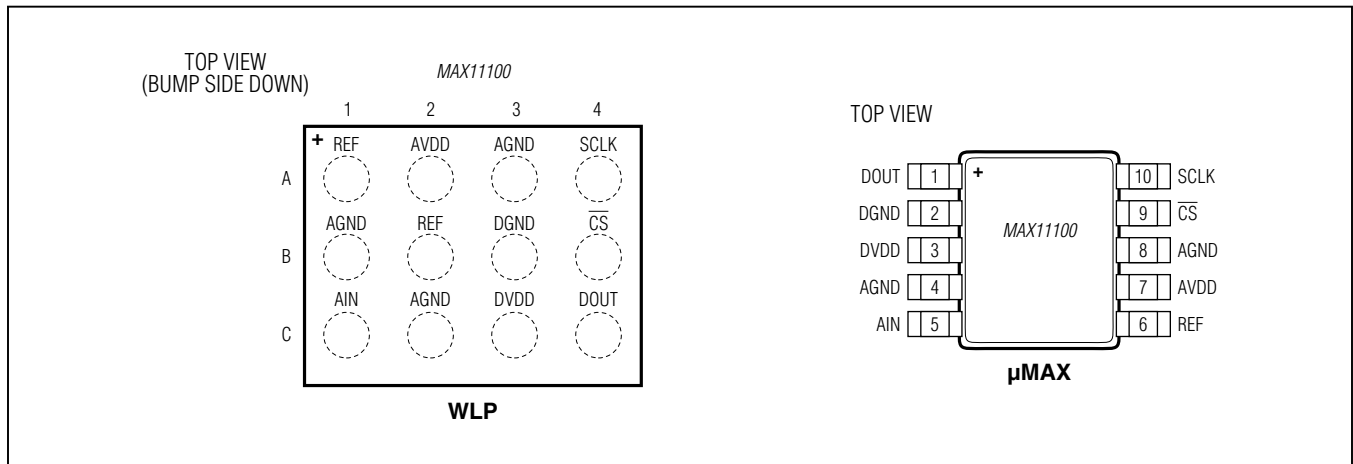
($V_{AVDD} = V_{DVDD} = 5V$, $f_{SCLK} = 4.8MHz$, $C_{LOAD} = 50pF$, $C_{REF} = 4.7\mu F$, $V_{REF} = 4.096V$, $T_A = +25^\circ C$, unless otherwise noted.)



MAX11100

16-Bit, +5V, 200ksps ADC with 10µA Shutdown

Pin Configurations



Pin Description

| PIN | | NAME | FUNCTION |
|------------|------|-----------------|--|
| WLP | µMAX | | |
| A1, B2 | 6 | REF | External Reference Voltage Input. Sets the analog voltage range. Bypass to AGND with a 4.7µF capacitor. |
| A2 | 7 | AVDD | Analog +5V Supply Voltage. Bypass to AGND with a 0.1µF capacitor. |
| A3, B1, C2 | 4, 8 | AGND | Analog Ground |
| A4 | 10 | SCLK | Serial Clock Input. SCLK drives the conversion process and clocks out data at data rates up to 4.8MHz. |
| B3 | 2 | DGND | Digital Ground |
| B4 | 9 | \overline{CS} | Active-Low Chip-Select Input. Forcing \overline{CS} high places the MAX11100 shutdown with a typical current of 0.1µA. A high-to-low transition on \overline{CS} activates normal operating mode and initiates a conversion. |
| C1 | 5 | AIN | Analog Input |
| C3 | 3 | DVDD | Digital Supply Voltage. Bypass to DGND with a 0.1µF capacitor. |
| C4 | 1 | DOUT | Serial Data Output. Data changes state on SCLK's falling edge. DOUT is high impedance when \overline{CS} is high. |

16-Bit, +5V, 200ksp/s ADC with 10 μ A Shutdown

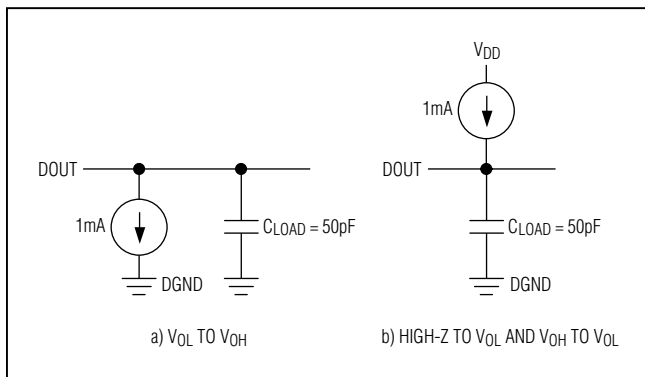


Figure 1. Load Circuits for DOUT Enable Time and SCLK to DOUT Delay Time

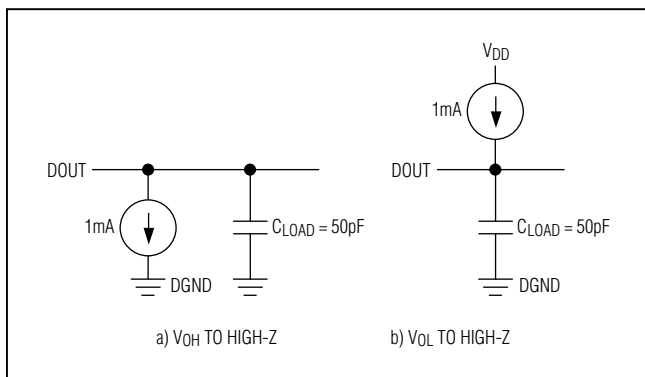


Figure 2. Load Circuits for DOUT Disable Time

Detailed Description

The MAX11100 includes an input track-and-hold (T/H) and successive-approximation register (SAR) circuitry to convert an analog input signal to a digital 16-bit output. [Figure 4](#) shows the MAX11100 in its simplest configuration. The serial interface requires only three digital lines (SCLK, \overline{CS} , and DOUT) and provides an easy interface to microprocessors (μ Ps).

The MAX11100 has two power modes: normal and shutdown. Driving \overline{CS} high places the MAX11100 in shutdown, reducing the supply current to 0.1 μ A (typ), while pulling \overline{CS} low places the MAX11100 in normal operating mode. Falling edges on \overline{CS} initiate conversions that are driven by SCLK. The conversion result is available at DOUT in unipolar serial format. The serial data stream consists of eight zeros followed by the data bits (MSB first). [Figure 3](#) shows the interface timing diagram.

Analog Input

[Figure 5](#) illustrates the input sampling architecture of the ADC. The voltage applied at REF sets the full-scale input voltage.

Track-and-Hold (T/H)

In track mode, the analog signal is acquired on the internal hold capacitor. In hold mode, the T/H switches open and the capacitive DAC samples the analog input.

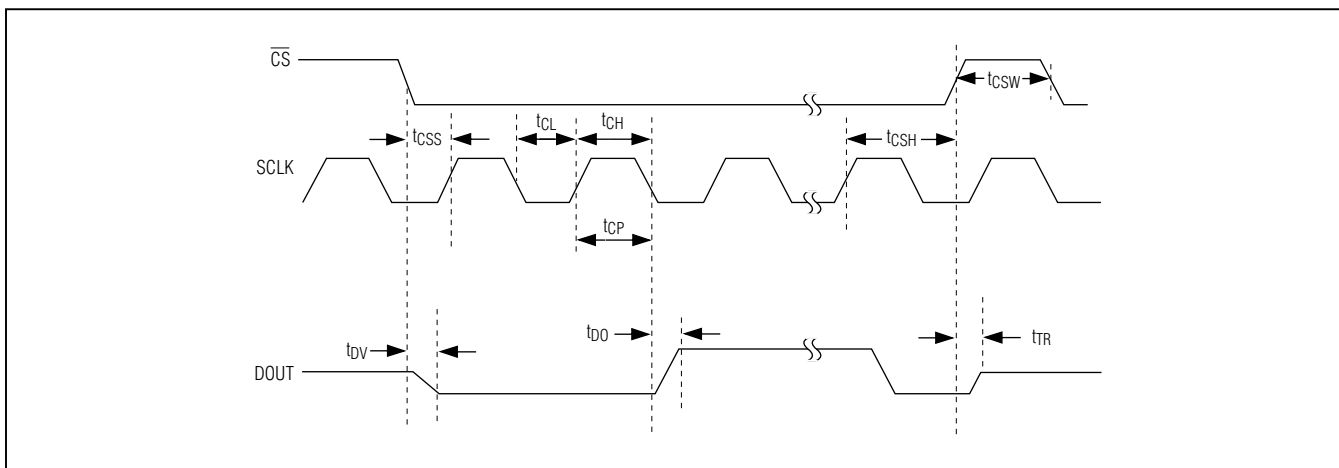


Figure 3. Detailed Serial Interface Timing

MAX11100

16-Bit, +5V, 200ksp/s ADC with 10µA Shutdown

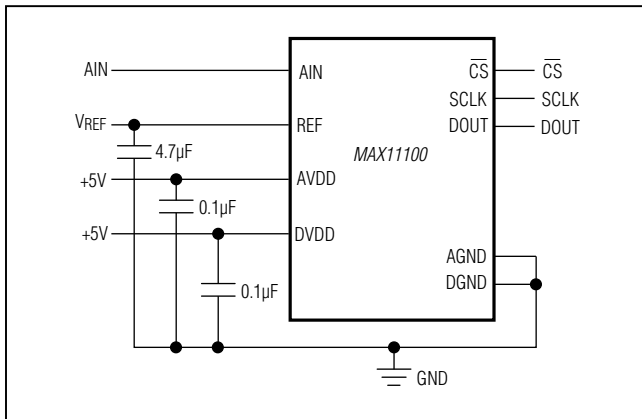


Figure 4. Typical Operating Circuit

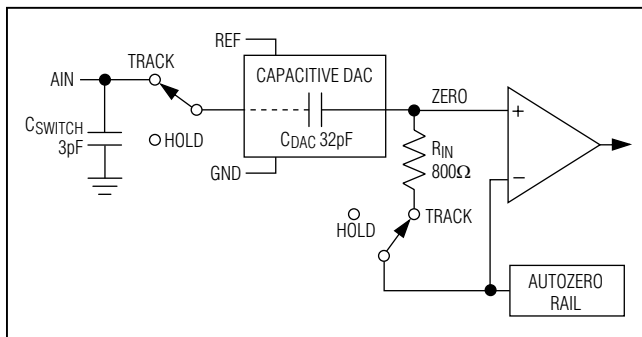


Figure 5. Equivalent Input Circuit

During the acquisition, the analog input (AIN) charges capacitor CDAC. The acquisition interval ends on the falling edge of the sixth clock cycle (Figure 6). At this instant, the T/H switches open. The retained charge on CDAC represents a sample of the input.

In hold mode, the capacitive digital-to-analog converter (DAC) adjusts during the remainder of the conversion cycle to restore node ZERO to zero within the limits of 16-bit resolution. At the end of the conversion, force $\overline{\text{CS}}$ high and then low to reset the input side of the CDAC switches back to AIN, and charge CDAC to the input signal again.

The time required for the T/H to acquire an input signal is a function of how quickly its input capacitance is charged. If the input signal's source impedance is high, the acquisition time lengthens and more time must be allowed between conversions. The acquisition time (t_{ACQ}) is the maximum time the device takes to acquire the signal. Use the following formula to calculate acquisition time:

$$t_{\text{ACQ}} = 13(R_{\text{S}} + R_{\text{IN}}) \times 35\text{pF}$$

where $R_{\text{IN}} = 800\Omega$, R_{S} = the input signal's source impedance, and t_{ACQ} is never less than 1.1µs. A source impedance less than 1kΩ does not significantly affect the ADC's performance.

To improve the input signal bandwidth under AC conditions, drive AIN with a wideband buffer (> 4MHz) that can drive the ADC's input capacitance and settle quickly.

Input Bandwidth

The ADC's input tracking circuitry has a 4MHz small-signal bandwidth, so it is possible to digitize high-speed transient events and measure periodic signals with bandwidths exceeding the ADC's sampling rate by using undersampling techniques. To avoid aliasing of unwanted high-frequency signals into the frequency band of interest, use anti-alias filtering.

Analog Input Protection

Internal protection diodes, which clamp the analog input to AVDD or AGND, allow the input to swing from $V_{\text{AGND}} - 0.3\text{V}$ to $V_{\text{AVDD}} + 0.3\text{V}$, without damaging the device.

If the analog input exceeds 300mV beyond the supplies, limit the input current to 10mA.

Digital Interface

Initialization After Power-Up and Starting a Conversion

The digital interface consists of two inputs, SCLK and $\overline{\text{CS}}$, and one output, DOUT. A logic-high on $\overline{\text{CS}}$ places the MAX11100 in shutdown (AutoShutdown) and places DOUT in a high-impedance state. A logic-low on $\overline{\text{CS}}$ places the MAX11100 in the fully powered mode.

To start a conversion, pull $\overline{\text{CS}}$ low. A falling edge on $\overline{\text{CS}}$ initiates an acquisition. SCLK drives the A/D conversion and shifts out the conversion results (MSB first) at DOUT.

Timing and Control

Conversion-start and data-read operations are controlled by the $\overline{\text{CS}}$ and SCLK digital inputs (Figure 6 and Figure 7). Ensure that the duty cycle on SCLK is between 40% and 60% at 4.8MHz (the maximum clock frequency). For lower clock frequencies, ensure that the minimum high and low times are at least 65ns. Conversions with SCLK rates less than 100kHz can result in reduced accuracy due to leakage.

Note: Coupling between SCLK and the analog inputs (AIN and REF) may result in an offset.

16-Bit, +5V, 200ksp/s ADC with 10µA Shutdown

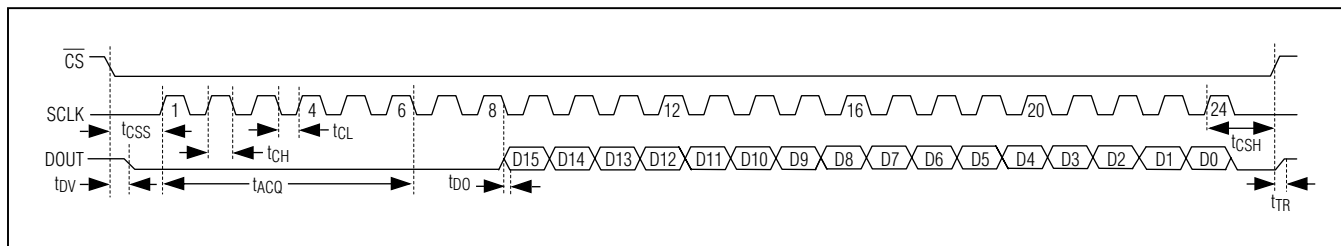


Figure 6. External Timing Diagram

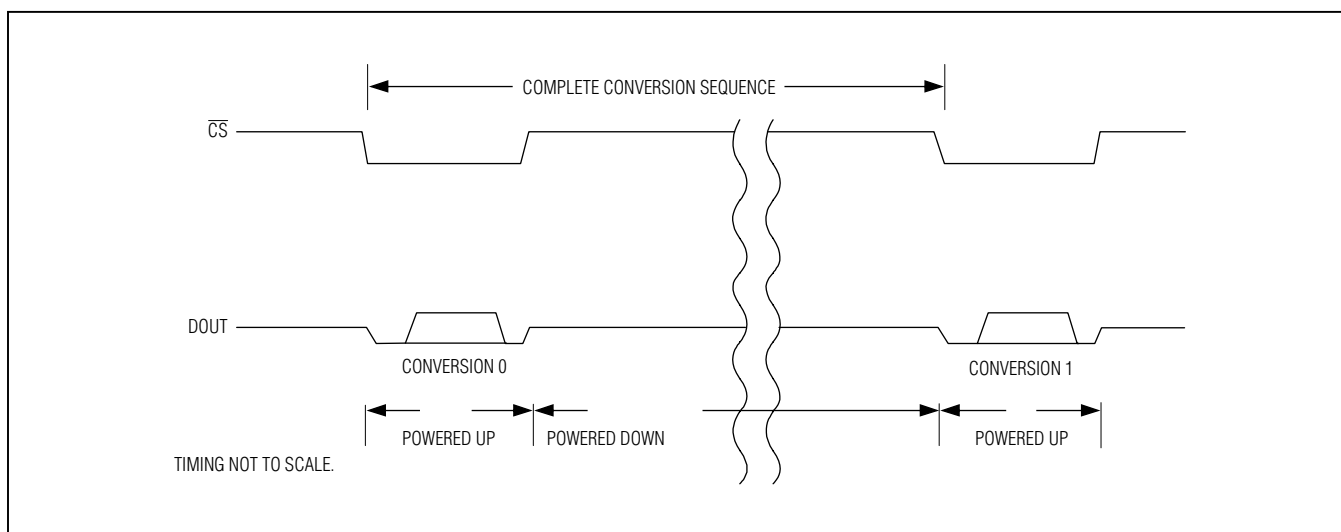


Figure 7. Shutdown Sequence

Variations in frequency, duty cycle, or other aspects of the clock signal's shape result in changing offset.

A \overline{CS} falling edge initiates an acquisition sequence. The analog input is stored in the capacitive DAC, DOUT changes from high impedance to logic-low, and the ADC begins to convert after the sixth clock cycle. SCLK drives the conversion process and shifts out the conversion result on DOUT.

SCLK begins shifting out the data (MSB first) after the falling edge of the 8th SCLK pulse. Twenty-four falling clock edges are needed to shift out the eight leading zeros and 16 data bits. Extra clock pulses occurring after the

conversion result has been clocked out, and prior to the rising edge of \overline{CS} , produce trailing zeros at DOUT and have no effect on the converter operation.

Force \overline{CS} high after reading the conversion's LSB to reset the internal registers and place the MAX11100 in shutdown. For maximum throughput, force \overline{CS} low again to initiate the next conversion immediately after the specified minimum time (t_{CSW}).

Note: Forcing \overline{CS} high in the middle of a conversion immediately aborts the conversion and places the MAX11100 in shutdown.

16-Bit, +5V, 200ksp/s ADC with 10µA Shutdown

Output Coding and Transfer Function

The data output from the MAX11100 is binary and [Figure 8](#) depicts the nominal transfer function. Code transitions occur halfway between successive-integer LSB values ($V_{REF} = 4.096V$ and $1 \text{ LSB} = 63\mu V$ or $4.096V/65536$).

Applications Information

External Reference

The MAX11100 requires an external reference with a +3.8V and AVDD voltage range. Connect the external reference directly to REF. Bypass REF to AGND with a 4.7µF capacitor. When not using a low-ESR bypass capacitor, use a 0.1µF ceramic capacitor in parallel with the 4.7µF capacitor. Noise on the reference degrades conversion accuracy.

The input impedance at REF is 40kΩ for DC currents. During a conversion the external reference at REF must deliver 100µA of DC load current and have an output impedance of 10Ω or less.

For optimal performance, buffer the reference through an op amp and bypass the REF input. Consider the MAX11100's equivalent input noise ($38\mu V_{RMS}$) when choosing a reference.

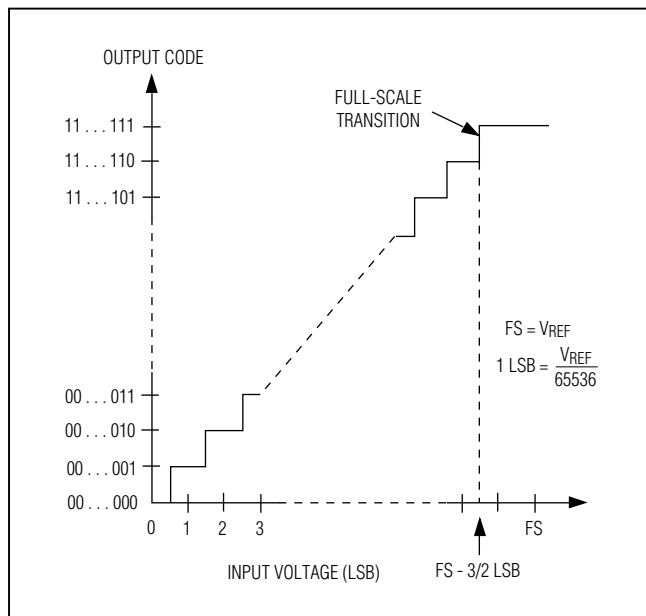


Figure 8. Unipolar Transfer Function, Full Scale (FS) = V_{REF} , Zero Scale (ZS) = GND

Input Buffer

Most applications require an input buffer amplifier to achieve 16-bit accuracy. If the input signal is multiplexed, switch the input channel immediately after acquisition, rather than near the end of or after a conversion ([Figure 9](#)). This allows the maximum time for the input buffer amplifier to respond to a large step change in the input signal. The input amplifier must have a slew rate of at least $2V/\mu s$ to complete the required output-voltage change before the beginning of the acquisition time.

At the beginning of the acquisition, the internal sampling capacitor array connects to AIN (the amplifier output), causing some output disturbance. Ensure that the sampled voltage has settled before the end of the acquisition time.

Digital Noise

Digital noise can couple to AIN and REF. The conversion clock (SCLK) and other digital signals active during input acquisition contribute noise to the conversion result. Noise signals synchronous with the sampling interval result in an effective input offset. Asynchronous signals produce random noise on the input, whose high-frequency components can be aliased into the frequency band of interest. Minimize noise by presenting a low impedance (at the frequencies contained in the noise signal) at the inputs. This requires bypassing AIN to AGND, or buffering the input with an amplifier that has a small-signal bandwidth of several MHz, or preferably both. AIN has 4MHz (typ) of bandwidth.

Distortion

Avoid degrading dynamic performance by choosing an amplifier with distortion much less than the MAX11100's total harmonic distortion (THD = -102dB at 1kHz) at frequencies of interest. If the chosen amplifier has insufficient common-mode rejection, which results in degraded THD performance, use the inverting configuration (positive input grounded) to eliminate errors from this source. Low temperature-coefficient, gain-setting resistors reduce linearity errors caused by resistance changes due to self-heating. To reduce linearity errors due to finite amplifier gain, use amplifier circuits with sufficient loop gain at the frequencies of interest.

DC Accuracy

To improve DC accuracy, choose a buffer with an offset much less than the MAX11100's offset (1mV (max) for +5V supply), or whose offset can be trimmed while maintaining stability over the required temperature range.

MAX11100

16-Bit, +5V, 200ksp/s ADC with 10 μ A Shutdown

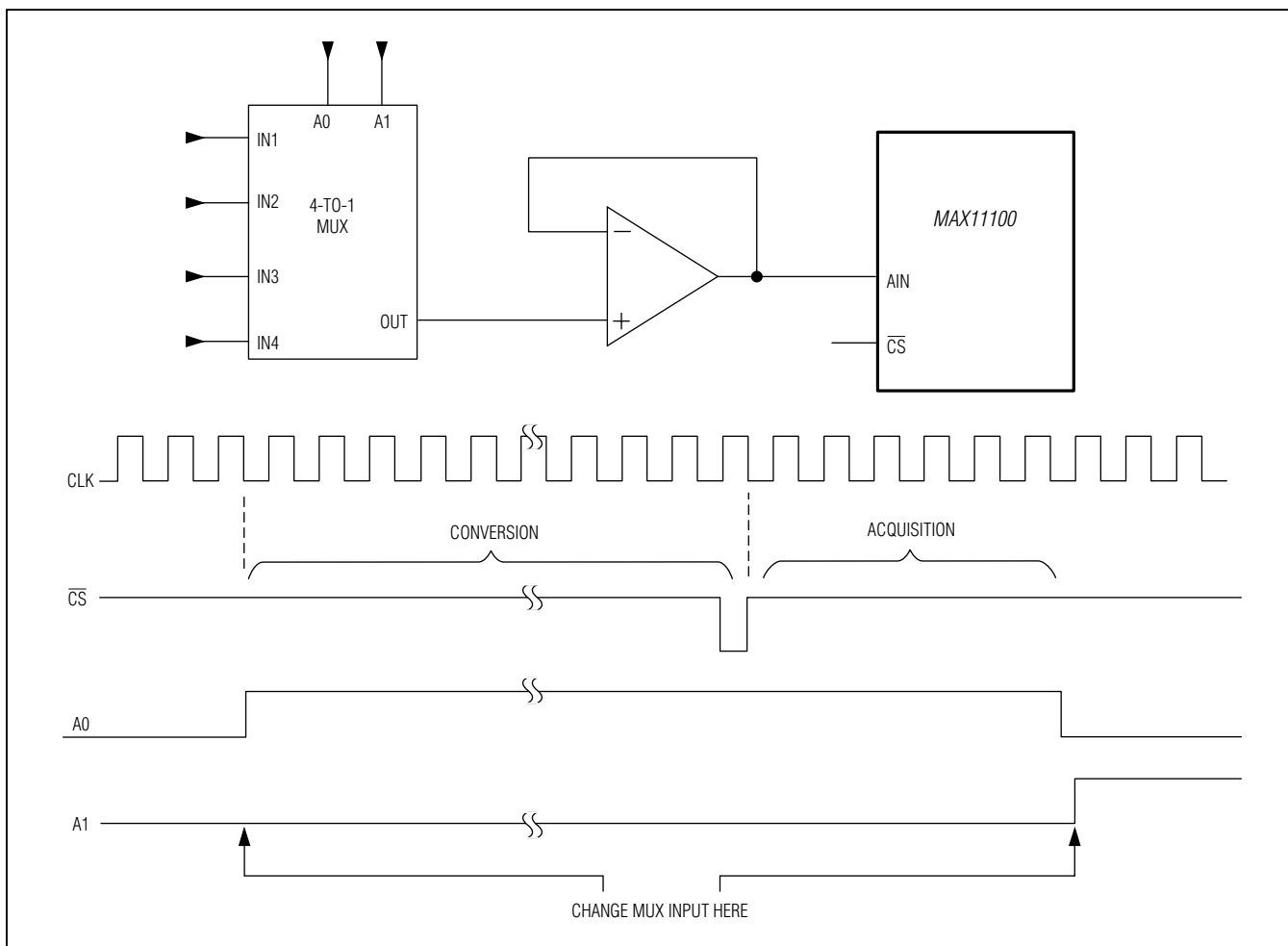


Figure 9. Change Multiplexer Input Near Beginning of Conversion to Allow Time for Slewing and Settling

Serial Interfaces

The MAX11100's interface is fully compatible with SPI, QSPI, and MICROWIRE standard serial interfaces.

If a serial interface is available, establish the CPU's serial interface as master, so that the CPU generates the serial clock for the MAX11100. Select a clock frequency between 100kHz and 4.8MHz:

- 1) Use a general-purpose I/O line on the CPU to pull \overline{CS} low.
- 2) Activate SCLK for a minimum of 24 clock cycles. The serial data stream of eight leading zeros followed by the MSB of the conversion result begins at the falling edge of \overline{CS} . DOUT transitions on SCLK's falling edge and the output is available in MSB-first format. Observe the SCLK to DOUT valid timing characteristic. Clock data into the μ P on SCLK's rising edge.
- 3) Pull \overline{CS} high at or after the 24th falling clock edge. If \overline{CS} remains low, trailing zeros are clocked out after the least significant bit (D0 = LSB).
- 4) With \overline{CS} high, wait at least 50ns (t_{CSW}) before starting a new conversion by pulling \overline{CS} low. A conversion can be aborted by pulling \overline{CS} high before the conversion ends. Wait at least 50ns before starting a new conversion.

MAX11100

16-Bit, +5V, 200ksp/s ADC with 10µA Shutdown

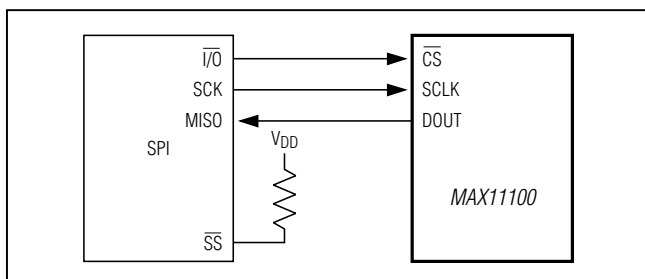


Figure 10a. SPI Connections

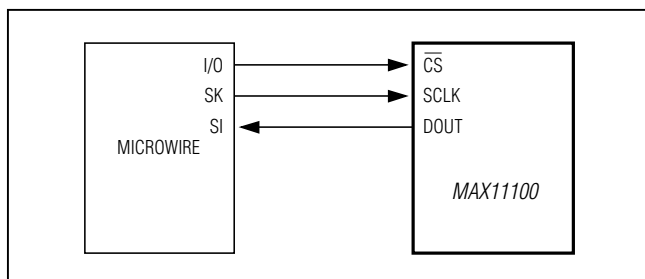


Figure 10b. MICROWIRE Connections

Data can be output in three 8-bit sequences or continuously. The bytes contain the results of the conversion padded with eight leading zeros before the MSB. If the serial clock has not been idled after the LSB (D0) and \overline{CS} has been kept low, DOUT sends trailing zeros.

SPI and MICROWIRE Interfaces

When using the SPI (Figure 10a) or MICROWIRE (Figure 10b) interfaces, set $CPOL = 0$ and $CPHA = 0$. Conversion begins with a falling edge on \overline{CS} (Figure 10c). Three consecutive 8-bit readings are necessary to obtain the entire 16-bit result from the ADC. DOUT data transitions on the serial clock's falling edge. The first 8-bit data stream contains all leading zeros. The second 8-bit data stream contains the MSB through D8. The third 8-bit data stream contains D7 through D0.

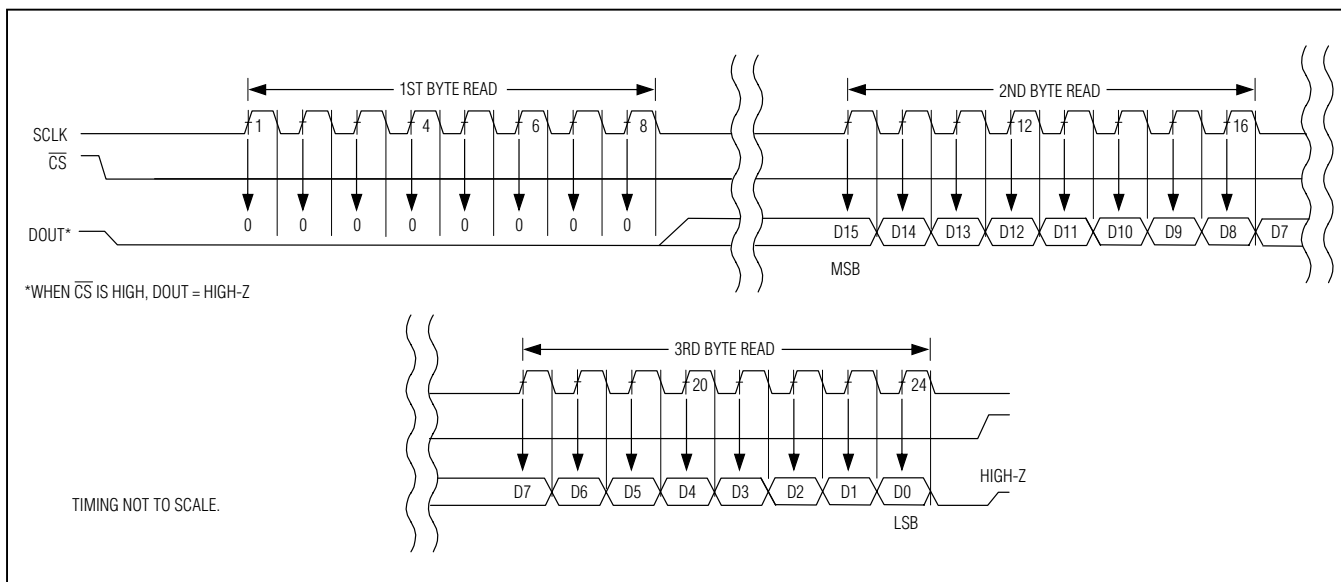


Figure 10c. SPI/MICROWIRE Interface Timing Sequence ($CPOL = CPHA = 0$)

MAX11100

16-Bit, +5V, 200ksp/s ADC with 10µA Shutdown

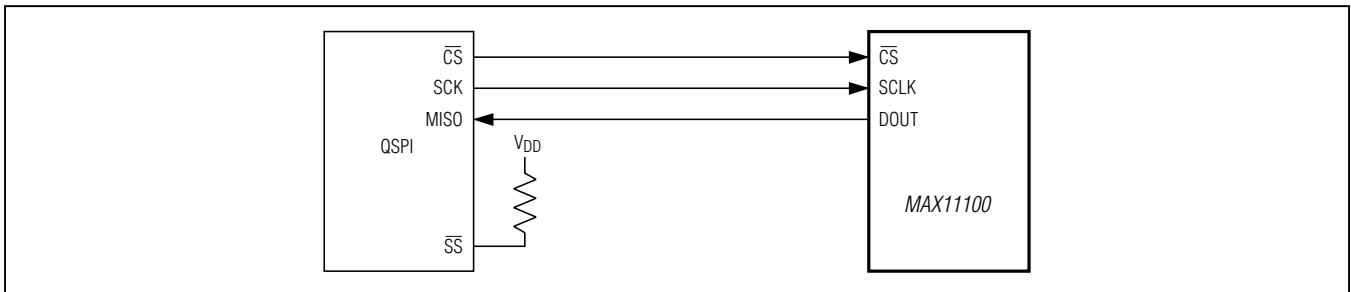


Figure 11a. QSPI Connections

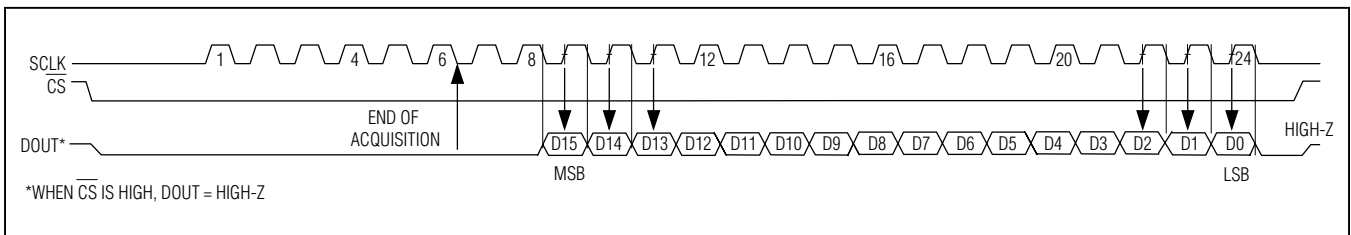


Figure 11b. QSPI Interface Timing Sequence (CPOL = CPHA = 0)

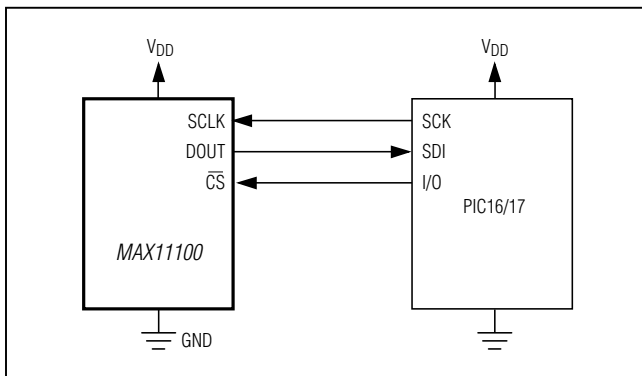


Figure 12a. SPI Interface Connection for a PIC16/PIC17

QSPI Interface

Using the high-speed QSPI interface with CPOL = 0 and CPHA = 0, the MAX11100 supports a maximum f_{SCLK} of 4.8MHz. [Figure 11a](#) shows the MAX11100 connected to a QSPI master and [Figure 11b](#) shows the associated interface timing.

PIC16 with SSP Module and PIC17 Interface

The MAX11100 is compatible with a PIC16/PIC17 microcontroller (μ C) using the synchronous serial-port (SSP) module.

To establish SPI communication, connect the controller as shown in [Figure 12a](#). Configure the PIC16/PIC17 as system master, by initializing its synchronous serial-port control register (SSPCON) and synchronous serial-port status register (SSPSTAT) to the bit patterns shown in [Table 1](#) and [Table 2](#).

In SPI mode, the PIC16/PIC17 μ C allows 8 bits of data to be synchronously transmitted and received simultaneously. Three consecutive 8-bit readings ([Figure 12b](#)) are necessary to obtain the entire 16-bit result from the ADC. DOUT data transitions on the serial clock's falling edge and is clocked into the μ C on SCLK's rising edge. The first 8-bit data stream contains all zeros. The second 8-bit data stream contains the MSB through D8. The third 8-bit data stream contains bits D7 through D0.

16-Bit, +5V, 200ksp/s ADC with 10µA Shutdown

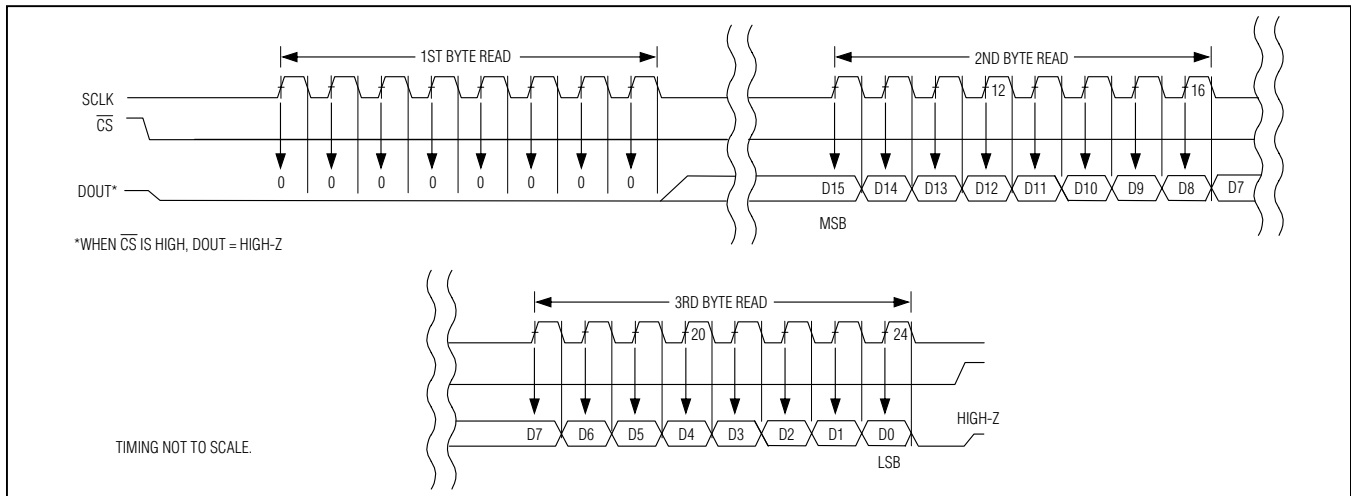


Figure 12b. SPI Interface Timing with PIC16/PIC17 in Master Mode (CKE = 1, CKP = 0, SMP = 0, SSPM3 - SSPM0 = 0001)

Table 1. Detailed SSPCON Register Contents

| CONTROL BIT | | MAX11100 SETTINGS | SYNCHRONOUS SERIAL-PORT CONTROL REGISTER (SSPCON) |
|-------------|-------|-------------------|---|
| WCOL | BIT 7 | X | Write Collision Detection Bit |
| SSPOV | BIT 6 | X | Receive Overflow Detect Bit |
| SSPEN | BIT 5 | 1 | Synchronous Serial-Port Enable Bit: 0: Disables serial port and configures these pins as I/O port pins. 1: Enables serial port and configures SCK, SDO, and SCI pins as serial port pins. |
| CKP | BIT 4 | 0 | Clock Polarity Select Bit. CKP = 0 for SPI master mode selection. |
| SSPM3 | BIT 3 | 0 | Synchronous Serial-Port Mode Select Bit. Sets SPI master mode and selects $f_{CLK} = f_{OSC}/16$. |
| SSPM2 | BIT 2 | 0 | |
| SSPM1 | BIT 1 | 0 | |
| SSPM0 | BIT 0 | 1 | |

Table 2. Detailed SSPSTAT Register Contents

| CONTROL BIT | | MAX11100 SETTINGS | SYNCHRONOUS SERIAL-PORT CONTROL REGISTER (SSPSTAT) |
|-------------|-------|-------------------|---|
| SMP | BIT 7 | 0 | SPI Data Input Sample Phase. Input data is sampled at the middle of the data output time. |
| CKE | BIT 6 | 1 | SPI Clock Edge Select Bit. Data is transmitted on the rising edge of the serial clock. |
| D/A | BIT 5 | X | Data Address Bit |
| P | BIT 4 | X | STOP Bit |
| S | BIT 3 | X | START Bit |
| R/W | BIT 2 | X | Read/Write Bit Information |
| UA | BIT 1 | X | Update Address |
| BF | BIT 0 | X | Buffer Full Status Bit |

16-Bit, +5V, 200ksps ADC with 10µA Shutdown

Definitions

Integral Nonlinearity

Integral nonlinearity (INL) is the deviation of the values on an actual transfer function from a straight line. This straight line can be either a best-fit straight line fit or a line drawn between the endpoints of the transfer function, once offset and gain errors have been nulled. The static linearity parameters for the MAX11100 are measured using the endpoint method.

Differential Nonlinearity

Differential nonlinearity (DNL) is the difference between an actual step width and the ideal value of 1 LSB. A DNL error specification of 1 LSB guarantees no missing codes and a monotonic transfer function.

Aperture Definitions

Aperture jitter (t_{AJ}) is the sample-to-sample variation in the time between samples. Aperture delay (t_{AD}) is the time between the falling edge of the sampling clock and the instant when the actual sample is taken.

Signal-to-Noise Ratio

For a waveform perfectly reconstructed from digital samples, signal-to-noise ratio (SNR) is the ratio of the full-scale analog input (RMS value) to the RMS quantization error (residual error). The ideal, theoretical minimum analog-to-digital noise is caused by quantization noise error only and results directly from the ADCs resolution (N bits):

$$SNR = (6.02 \times N + 1.76)dB$$

In reality, there are other noise sources besides quantization noise: thermal noise, reference noise, clock jitter, etc. SNR is computed by taking the ratio of the RMS signal to the RMS noise, which includes all spectral components minus the fundamental, the first five harmonics, and the DC offset.

Signal-to-Noise Plus Distortion

Signal-to-noise plus distortion (SINAD) is the ratio of the fundamental input frequency's RMS amplitude to the RMS equivalent of all the other ADC output signals, excluding the DC offset.

$$SINAD(dB) = 20 \times \log \left[\frac{\text{Signal}_{RMS}}{(\text{Noise} + \text{Distortion})_{RMS}} \right]$$

Effective Number of Bits

Effective number of bits (ENOB) indicate the global accuracy of an ADC at a specific input frequency and sampling rate. An ideal ADC error consists of quantization noise only. With an input range equal to the full-scale range of the ADC, calculate the effective number of bits as follows:

$$ENOB = (SINAD - 1.76)/6.02$$

Figure 13 shows the effective number of bits as a function of the MAX11100's input frequency.

Total Harmonic Distortion

Total harmonic distortion (THD) is the ratio of the RMS sum of the first five harmonics of the input signal to the fundamental itself. This is expressed as:

$$THD = 20 \times \log \left[\frac{\sqrt{V_2^2 + V_3^2 + V_4^2 + V_5^2}}{V_1} \right]$$

where V_1 is the fundamental amplitude and V_2 through V_5 are the 2nd- through 5th-order harmonics.

Spurious-Free Dynamic Range

Spurious-free dynamic range (SFDR) is the ratio of the RMS amplitude of the fundamental (maximum signal component) to the RMS value of the next largest frequency component.

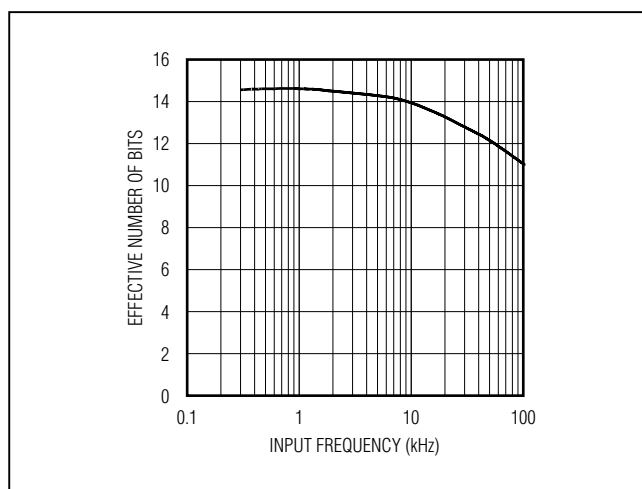


Figure 13. Effective Number of Bits vs. Input Frequency

MAX11100

16-Bit, +5V, 200ksp/s ADC with 10µA Shutdown

Supplies, Layout, Grounding, and Bypassing

Use PCBs with separate analog and digital ground planes. Do not use wire-wrap boards. Connect the two ground planes together at the MAX11100. Isolate the digital supply from the analog with a low-value resistor (10Ω) or ferrite bead when the analog and digital supplies come from the same source (Figure 14).

Constraints on sequencing the power supplies and inputs are as follows:

- Apply AGND before DGND.
- Apply AIN and REF after AVDD and AGND are present.
- DVDD is independent of the supply sequencing.

Ensure that digital return currents do not pass through the analog ground and that return-current paths are low impedance. A 5mA current flowing through a PCB ground trace impedance of only 0.05Ω creates an error voltage of about 250µV, 4 LSB error with a +4V full-scale system.

The board layout should ensure that digital and analog signal lines are kept separate. Do not run analog and digital (especially the SCLK and DOUT) lines parallel to one another. If one must cross another, do so at right angles.

The ADC's high-speed comparator is sensitive to high-frequency noise on the AVDD power supply. Bypass an excessively noisy supply to the analog ground plane with a 0.1µF capacitor in parallel with a 1µF to 10µF low-ESR capacitor. Keep capacitor leads short for best supply-noise rejection.

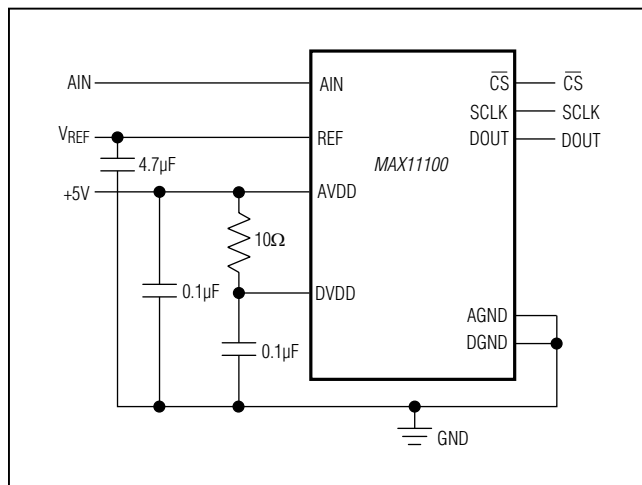


Figure 14. Powering AVDD and DVDD from a Single Supply

Ordering Information

| PART | TEMP RANGE | PIN-PACKAGE |
|--------------|----------------|-------------|
| MAX11100EUB+ | -40°C to +85°C | 10 µMAX |
| MAX11100EWC+ | -40°C to +85°C | 12 WLP |

+Denotes a lead(Pb)-free/RoHS-compliant package.

Chip Information

PROCESS: BiCMOS

Package Information

For the latest package outline information and land patterns (footprints), go to www.maximintegrated.com/packages. Note that a "+", "#", or "-" in the package code indicates RoHS status only. Package drawings may show a different suffix character, but the drawing pertains to the package regardless of RoHS status.

| PACKAGE TYPE | PACKAGE CODE | OUTLINE NO. | LAND PATTERN NO. |
|--------------|--------------|-------------------------|--|
| 10 µMAX | U10+2 | 21-0061 | 90-0330 |
| 12 WLP | W121A2+1 | 21-0009 | Refer to Application Note 1891 |

MAX11100

16-Bit, +5V, 200ksps ADC with 10 μ A Shutdown

Revision History

| REVISION NUMBER | REVISION DATE | DESCRIPTION | PAGES CHANGED |
|-----------------|---------------|---|---------------|
| 0 | 9/11 | Initial release | — |
| 1 | 1/12 | Revised the <i>Absolute Maximum Ratings</i> and <i>Electrical Characteristics</i> . | 2-4 |



Maxim Integrated cannot assume responsibility for use of any circuitry other than circuitry entirely embodied in a Maxim Integrated product. No circuit patent licenses are implied. Maxim Integrated reserves the right to change the circuitry and specifications without notice at any time. The parametric values (min and max limits) shown in the Electrical Characteristics table are guaranteed. Other parametric values quoted in this data sheet are provided for guidance.

Maxim Integrated 160 Rio Robles, San Jose, CA 95134 USA 1-408-601-1000

19

MAX11100

16-Bit, +5V, 200ksps ADC with 10 μ A Shutdown

MAX11100

16-Bit, +5V, 200ksps ADC with 10 μ A Shutdown