

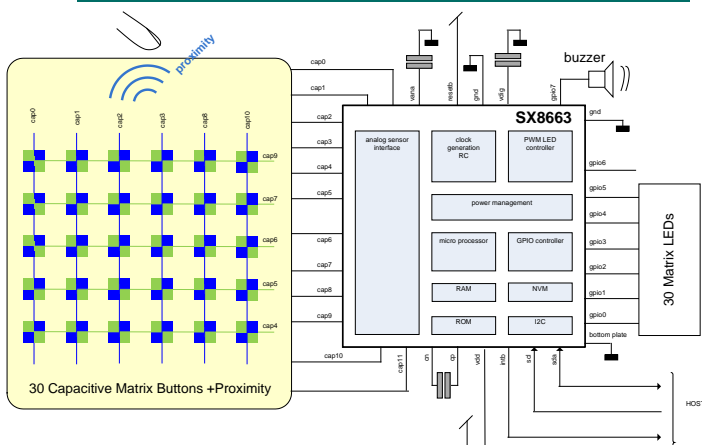
**ADVANCED COMMUNICATIONS & SENSING**
**GENERAL DESCRIPTION**

The SX8663 is an ultra low power, fully integrated 12-channel solution for capacitive touch-button matrix (up to 36 keys) and proximity applications. Unlike many capacitive touch solutions, the SX8663 features dedicated capacitive sense inputs (that requires no external components) in addition to 8 general purpose I/O ports (GPIO) which can be used to drive up to 30 matrix LEDs (i.e. one per key). Each of the on-chip GPIO/LED driver is equipped with independent PWM source for enhanced visual effect such as dimming, and breathing.

The SX8663 includes a capacitive 10 bit ADC analog interface with automatic compensation up to 100pF. The high resolution capacitive sensing supports a wide variety of touch pad sizes and shapes and allows capacitive buttons to be created using thick overlay materials (up to 5mm) for an extremely robust and ESD immune system design.

The SX8663 incorporates a versatile firmware that was specially designed to simplify capacitive touch solution design and offers reduced time-to-market. Integrated multi-time programmable memory provides the ultimate flexibility to modify key firmware parameters (gain, threshold, scan period, auto offset compensation) in the field without the need for new firmware development.

The SX8663 supports the 400 kHz I<sup>2</sup>C serial bus data protocol and includes a field programmable slave address. The tiny 5mm x 5mm footprint makes it an ideal solution for portable, battery powered applications where power and density are at a premium.

**TYPICAL APPLICATION CIRCUIT**

**KEY PRODUCT FEATURES**

- ◆ Complete Capacitive Touch-Button Solution
  - Up to 36 Matrix Buttons
  - Up to 36 LEDs Control for individual Visual Feedback with Auto Lightening
  - Configurable Single or Continuous Fading Mode
  - 256 steps PWM Linear and Logarithmic control
- ◆ Proximity Sensing up to several centimeters
- ◆ High Resolution Capacitive Sensing
  - Up to 100pF of Offset Cap. Compensation at Full Sensitivity
  - Capable of Sensing up thru 5mm thick Overlay Materials
- ◆ Support of buzzer for audible feedback
- ◆ User-selectable Button Reporting Configuration
- ◆ Extremely Low Power
  - 8uA (typ) in Sleep Mode
  - 100uA (typ) in Doze Mode (195ms)
  - 460uA (typ) in Active Mode (30ms)
- ◆ Programmable Scanning Period from 15ms to several seconds
- ◆ Auto Offset Compensation
  - Eliminates false triggers due to environmental factors (temperature, humidity)
  - Initiated on power-up and configurable intervals
- ◆ Multi-Time In-Field Programmable Firmware Parameters for Ultimate Flexibility
  - On-chip user programmable memory for fast, self contained start-up
- ◆ No External Components per Sensor Input
- ◆ Internal Clock Requires No External Components
- ◆ Differential Sensor Sampling for Reduced EMI
- ◆ Optional 400 KHz I<sup>2</sup>C Interface with Programmable Address
- ◆ -40°C to +85°C Operation

**APPLICATIONS**

- ◆ Home Automation
- ◆ White Goods
- ◆ Printers
- ◆ Notebook/Netbook/Portable/Handheld computers
- ◆ Consumer Products, Instrumentation, Automotive
- ◆ Mechanical Button Replacement

**ORDERING INFORMATION**

Part Number	Temperature Range	Package
SX8663I08AWLTRT <sup>1</sup>	-40°C to +85°C	Lead Free MLPQ-W32

<sup>1</sup> 3000 Units/reel

\* This device is RoHS/WEEE compliant and Halogen Free

**ADVANCED COMMUNICATIONS & SENSING**
**Table of Contents**

<b>GENERAL DESCRIPTION.....</b>	<b>1</b>
<b>TYPICAL APPLICATION CIRCUIT .....</b>	<b>1</b>
<b>KEY PRODUCT FEATURES.....</b>	<b>1</b>
<b>APPLICATIONS.....</b>	<b>1</b>
<b>ORDERING INFORMATION.....</b>	<b>1</b>
<b>1 GENERAL DESCRIPTION.....</b>	<b>4</b>
1.1 Pin Diagram	4
1.2 Marking information	4
1.3 Pin Description	5
1.4 Simplified Block Diagram	6
1.5 Acronyms	6
<b>2 ELECTRICAL CHARACTERISTICS .....</b>	<b>7</b>
2.1 Absolute Maximum Ratings	7
2.2 Recommended Operating Conditions	7
2.3 Thermal Characteristics	7
2.4 Electrical Specifications	8
<b>3 FUNCTIONAL DESCRIPTION.....</b>	<b>10</b>
3.1 Introduction	10
3.1.1 General	10
3.1.2 Parameters	10
3.1.3 Configuration	10
3.2 Scan Period	10
3.3 Operation modes	11
3.4 Sensors on the PCB	12
3.4.1 Matrix Keys/Buttons (MK)	12
3.4.2 Priority Key/Button (PK)	12
3.4.3 Proximity Sensor (PS)	13
3.4.4 Schematics Requirements	13
3.5 Button Information (MK and PK)	15
3.6 Analog Sensing Interface	15
3.7 Offset Compensation	17
3.8 Processing	18
3.9 Configuration	18
3.10 Power Management	20
3.11 Clock Circuitry	20
3.12 I2C interface	20
3.13 Interrupt	21
3.13.1 Power up	21
3.13.2 Assertion	21
3.13.3 Clearing	21
3.13.4 Example	22
3.14 Reset	22
3.14.1 Power up	22

**ADVANCED COMMUNICATIONS & SENSING**

3.14.2	RESETB	23
3.14.3	Software Reset	23
<b>3.15</b>	<b>General Purpose Input and Outputs</b>	<b>24</b>
3.15.1	GPO	24
3.15.2	Fading Modes	26
3.15.3	Intensity index vs PWM pulse width	27
3.15.4	Tri-State Multiplexing (TSM)	28
<b>4</b>	<b>PIN DESCRIPTIONS .....</b>	<b>30</b>
4.1	Introduction	30
4.2	ASI pins	30
4.3	Host interface pins	31
4.4	Power management pins	34
4.5	General purpose IO pins	35
<b>5</b>	<b>DETAILED CONFIGURATION DESCRIPTIONS .....</b>	<b>36</b>
5.1	Introduction	36
5.2	General Parameters	39
5.3	Capacitive Sensors Parameters	40
5.4	Buttons (MK and PK) Parameters	42
5.5	Proximity (PS) Parameters	45
5.6	Buzzer Parameters	47
5.7	GPIO Parameters	48
<b>6</b>	<b>I2C INTERFACE.....</b>	<b>51</b>
6.1	I2C Write	51
6.2	I2C read	52
6.3	I2C Registers Overview	53
6.4	Status Registers	54
6.5	Control Registers	56
6.6	SPM Gateway Registers	57
6.6.1	SPM Write Sequence	58
6.6.2	SPM Read Sequence	59
6.7	NVM burn	60
6.8	Monitor Mode	61
<b>7</b>	<b>APPLICATION INFORMATION .....</b>	<b>62</b>
<b>8</b>	<b>REFERENCES .....</b>	<b>63</b>
<b>9</b>	<b>PACKAGING INFORMATION .....</b>	<b>64</b>
9.1	Package Outline Drawing	64
9.2	Land Pattern	64

## ADVANCED COMMUNICATIONS & SENSING

### 1 GENERAL DESCRIPTION

#### 1.1 Pin Diagram

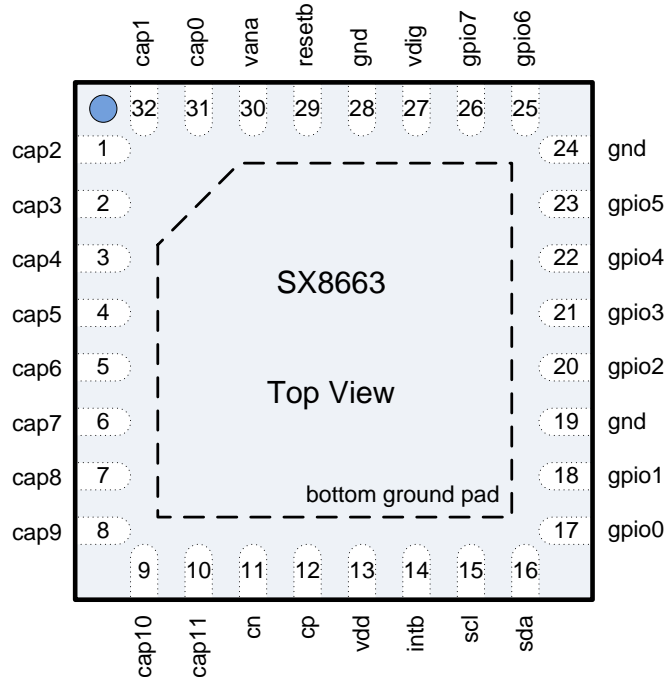
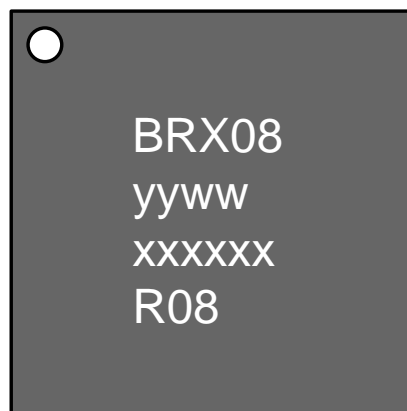


Figure 1 Pinout Diagram

#### 1.2 Marking information



yyww = Date Code  
 xxxxxx = Semtech lot number  
 R08 = Semtech Code

Figure 2 Marking Information

## ADVANCED COMMUNICATIONS & SENSING

### 1.3 Pin Description

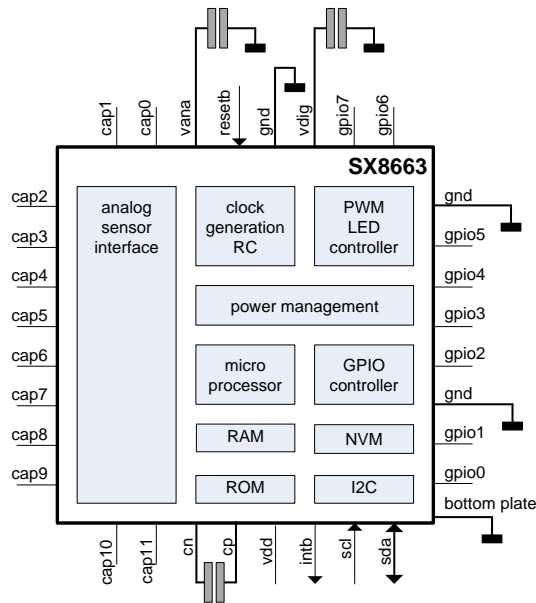
Number	Name	Type	Description
1	CAP2	Analog	Capacitive Sensor 2
2	CAP3	Analog	Capacitive Sensor 3
3	CAP4	Analog	Capacitive Sensor 4
4	CAP5	Analog	Capacitive Sensor 5
5	CAP6	Analog	Capacitive Sensor 6
6	CAP7	Analog	Capacitive Sensor 7
7	CAP8	Analog	Capacitive Sensor 8
8	CAP9	Analog	Capacitive Sensor 9
9	CAP10	Analog	Capacitive Sensor 10
10	CAP11	Analog	Capacitive Sensor 11
11	CN	Analog	Integration Capacitor, negative terminal (1nF between CN and CP)
12	CP	Analog	Integration Capacitor, positive terminal (1nF between CN and CP)
13	VDD	Power	Main input power supply
14	INTB	Digital Output	Interrupt, active LOW, requires pull up resistor (on host or external)
15	SCL	Digital Input	I2C Clock, requires pull up resistor (on host or external)
16	SDA	Digital Input/Output	I2C Data, requires pull up resistor (on host or external)
17	GPIO0	Digital Input/Output	General Purpose Input/Output 0
18	GPIO1	Digital Input/Output	General Purpose Input/Output 1
19	GND	Ground	Ground
20	GPIO2	Digital Input/Output	General Purpose Input/Output 2
21	GPIO3	Digital Input/Output	General Purpose Input/Output 3
22	GPIO4	Digital Input/Output	General Purpose Input/Output 4
23	GPIO5	Digital Input/Output	General Purpose Input/Output 5
24	GND	Ground	Ground
25	GPIO6	Digital Input/Output	General Purpose Input/Output 6
26	GPIO7	Digital Input/Output	General Purpose Input/Output 7
27	VDIG	Analog	Digital Core Decoupling, connect to a 100nF decoupling capacitor
28	GND	Ground	Ground
29	RESETB	Digital Input	Active Low Reset. Connect to VDD if not used.
30	VANA	Analog	Analog Core Decoupling, connect to a 100nF decoupling capacitor
31	CAP0	Analog	Capacitive Sensor 0
32	CAP1	Analog	Capacitive Sensor 1
Bottom Plate	GND	Ground	Exposed pad connect to ground

*Table 1 Pin description*

## ADVANCED COMMUNICATIONS & SENSING

### 1.4 Simplified Block Diagram

The simplified block diagram of the SX8663 is illustrated in Figure 3.



*Figure 3 Simplified block diagram of the SX8663*

### 1.5 Acronyms

ASI	Analog Sensor Interface
DCV	Digital Compensation Value
GPO	General Purpose Output
GPP	General Purpose PWM
MTP	Multiple Time Programmable
NVM	Non Volatile Memory
PWM	Pulse Width Modulation
QSM	Quick Start Memory
SPM	Shadow Parameter Memory
SPO	Special Purpose Output
MK	Matrix Key
PK	Priority Key
PS	Proximity Sensor
TSM	Tri-State Multiplexing

**ADVANCED COMMUNICATIONS & SENSING**
**2 ELECTRICAL CHARACTERISTICS**
**2.1 Absolute Maximum Ratings**

Stresses above the values listed in “Absolute Maximum Ratings” may cause permanent damage to the device.

This is a stress rating only and functional operation of the device at these, or any other conditions beyond the “Recommended Operating Conditions”, is not implied. Exposure to absolute maximum rating conditions for extended periods may affect device reliability.

Parameter	Symbol	Min.	Max.	Unit
Supply Voltage	VDD	-0.5	3.9	V
Input voltage (non-supply pins)	V <sub>IN</sub>	-0.5	3.9	V
Input current (non-supply pins)	I <sub>IN</sub>		10	mA
Operating Junction Temperature	T <sub>JCT</sub>		125	°C
Reflow temperature	T <sub>RE</sub>		260	°C
Storage temperature	T <sub>STOR</sub>	-50	150	°C
ESD HBM (Human Body model) <sup>(i)</sup>	ESD <sub>HBM</sub>	3		kV
Latchup <sup>(ii)</sup>	I <sub>LU</sub>	± 100		mA

*Table 2 Absolute Maximum Ratings*

(i) Tested to JEDEC standard JESD22-A114

(ii) Tested to JEDEC standard JESD78

**2.2 Recommended Operating Conditions**

Parameter	Symbol	Min.	Max.	Unit
Supply Voltage	VDD	2.7	3.6	V
Supply Voltage Drop <sup>(iii, iv, v)</sup>	VDD <sub>drop</sub>		100	mV
Supply Voltage for NVM programming	VDD	3.6	3.7	V
Ambient Temperature Range	T <sub>A</sub>	-40	85	°C

*Table 3 Recommended Operating Conditions*

(iii) Performance for 2.6V < VDD < 2.7V might be degraded.

(iv) Operation is not guaranteed below 2.6V. Should VDD briefly drop below this minimum value, then the SX8663 may require;

- a hardware reset issued by the host using the RESETB pin
- a software reset issued by the host using the I2C interface

(v) In the event the host processor is reset or undergoes a power OFF/ON cycle, it is recommended that the host also resets the SX8663 and assures that parameters are re-written into the SPM (should these differ to the parameters held in NVM).

**2.3 Thermal Characteristics**

Parameter	Symbol	Min.	Max.	Unit
Thermal Resistance - Junction to Ambient <sup>(vi)</sup>	θ <sub>JA</sub>		25	°C/W

*Table 4 Thermal Characteristics*

(vi) Static airflow

**ADVANCED COMMUNICATIONS & SENSING**
**2.4 Electrical Specifications**

All values are valid within the operating conditions unless otherwise specified.

Parameter	Symbol	Conditions	Min.	Typ.	Max.	Unit
<b>Current consumption</b>						
Active mode, average	$I_{OP,active}$	30ms scan period, 12 sensors enabled, minimum sensitivity		460		uA
Doze mode, average	$I_{OP,Doze}$	195ms scan period, 12 sensors enabled, minimum sensitivity		100		uA
Sleep	$I_{OP,sleep}$	I2C listening, sensors disabled		8	17	uA
<b>ResetB, SCL, SDA</b>						
Input logic high	$V_{IH}$		$0.7 \cdot V_{DD}$		$V_{DD} + 0.3$	V
Input logic low	$V_{IL}$	VSS applied to GND pins	$V_{SS} - 0.3$		0.8	V
Input leakage current	$I_L$	CMOS input			$\pm 1$	uA
Pull up resistor	$R_{PU}$	when enabled		660		k $\Omega$
Pull down resistor	$R_{PD}$	when enabled		660		k $\Omega$
<b>GPIO set as Output, INTB, SDA</b>						
Output logic high	$V_{OH}$	$I_{OH} < 4mA$	$V_{DD} - 0.4$			V
Output logic low	$V_{OL}$	$I_{OL,GPIO} < 12mA$ $I_{OL,SDA,INTB} < 4mA$			0.4	V
<b>Start-up</b>						
Power up time	$t_{por}$	time between rising edge VDD and rising INTB			400	ms
<b>RESETB</b>						
ResetB pulse width	$t_{res}$		50			ns
<b>Recommended External components</b>						
capacitor between VDIG, GND	$C_{vdig}$	type 0402, tolerance +/-50%		100		nF
capacitor between VANA, GND	$C_{vana}$	type 0402, tolerance +/-50%		100		nF
capacitor between CP, CN	$C_{int}$	type 0402, COG, tolerance +/-5%		1		nF
capacitor between VDD, GND	$C_{vdd}$	type 0402, tolerance +/-50%	270			nF

*Table 5 Electrical Specifications*



**ADVANCED COMMUNICATIONS & SENSING**

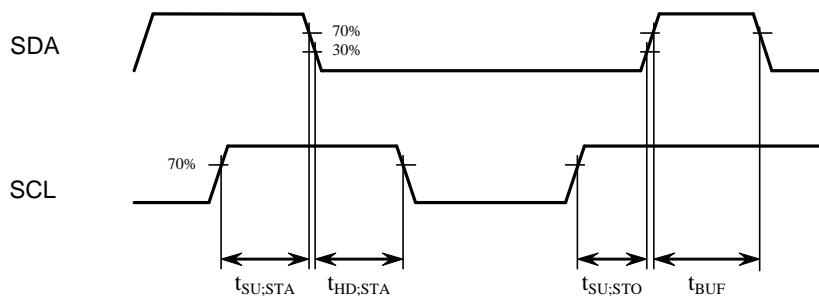
Parameter	Symbol	Conditions	Min.	Typ.	Max.	Unit
<b>I2C Timing Specifications <sup>(i)</sup></b>						
SCL clock frequency	$f_{SCL}$				400	KHz
SCL low period	$t_{LOW}$		1.3			us
SCL high period	$t_{HIGH}$		0.6			us
Data setup time	$t_{SU,DAT}$		100			ns
Data hold time	$t_{HD,DAT}$		0			ns
Repeated start setup time	$t_{SU,STA}$		0.6			us
Start condition hold time	$t_{HD,STA}$		0.6			us
Stop condition setup time	$t_{SU,STO}$		0.6			us
Bus free time between stop and start	$t_{BUF}$		500			us
Input glitch suppression	$t_{SP}$				50	ns

*Table 6 I2C Timing Specification*

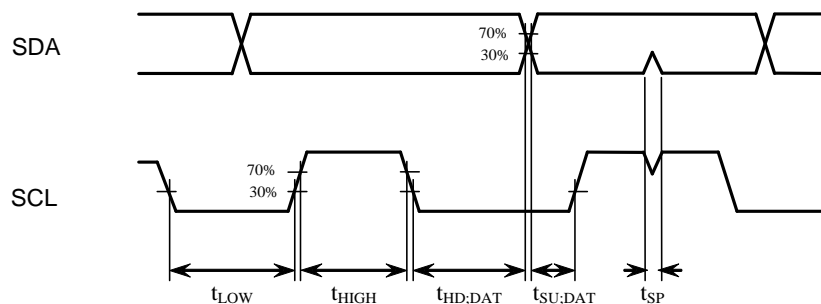
**Notes:**

(i) All timing specifications, Figure 4 and Figure 5, refer to voltage levels ( $V_{IL}$ ,  $V_{IH}$ ,  $V_{OL}$ ) defined in Table 5.

The interface complies with slave F/S mode as described by NXP: "I2C-bus specification, Rev. 03 - 19 June 2007"



*Figure 4 I2C Start and Stop timing*



*Figure 5 I2C Data timing*

**ADVANCED COMMUNICATIONS & SENSING****3 FUNCTIONAL DESCRIPTION****3.1 Introduction****3.1.1 General**

The SX8663 is intended to be used in applications which require capacitive sensors covered by isolating overlay material. A finger approaching the capacitive sensors will change the charge that can be loaded on the sensors. The SX8663 measures the change of charge and converts that into digital values (ticks). The larger the charge on the sensors, the larger the number of ticks will be. The charge to ticks conversion is done by the SX8663 Analog Sensor Interface (ASI).

The ticks are further processed by the SX8663 and converted in a high level, easy to use information for the user's host.

The information between SX8663 and the host is passed through the I2C interface with an additional interrupt signal indicating that the SX8663 has new information. For buttons this information is simply touched or released. User feedback, done through the SX8663's GPIOs, can be visual via LEDs and/or audio via a buzzer.

**3.1.2 Parameters**

The SX8663 has many low level built-in, fixed algorithms and procedures. To allow a lot of freedom for the user and adapt the SX8663 for different applications these algorithms and procedures can be configured with a large set of parameters which will be described in the following sections.

Sensitivity and detection thresholds of the sensors are part of these parameters. Assuming that overlay material and sensors areas are identical then the sensitivities and thresholds will be the same for each sensor. In case sensors are not of the same size then sensitivities or thresholds might be chosen individually per sensor.

So a smaller size sensor can have a larger sensitivity while a big size sensor may have the lower sensitivity.

**3.1.3 Configuration**

During a development phase the parameters can be determined and fine tuned by the users and downloaded over the I2C in a dynamic way. The parameter set can be downloaded over the I2C by the host each time the SX8663 boots up. This allows a flexible way of setting the parameters at the expense of I2C occupation.

In case the parameters are frozen they can be programmed in Multiple Time Programmable (MTP) Non Volatile Memory (NVM) on the SX8663. The programming needs to be done once (over the I2C). The SX8663 will then boot up from the NVM and additional parameters from the host are not required anymore.

In case the host desires to overwrite the boot-up NVM parameters (partly or even complete) this can be done by additional I2C communications.

**3.2 Scan Period**

The basic operation Scan period of the SX8663 sensing interface can be split into three periods over time.

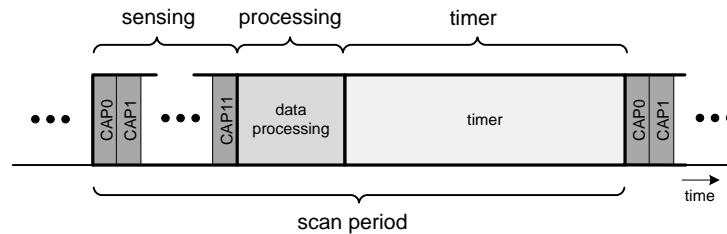
In the first period (Sensing) the SX8663 is sensing all enabled CAP inputs, from CAP0 towards CAP11.

In the second period (Processing) the SX8663 processes the sensor data, verifies and updates the GPIO and the I2C.

In the third period (Timer) the SX8663 is set in a low power mode and waits until a new cycle starts.

Figure 6 shows the different SX8663 periods over time.

## ADVANCED COMMUNICATIONS & SENSING



*Figure 6 Scan Period*

The scan period determines the minimum reaction time of the SX8663. The scan period can be configured by the host from 15ms to values larger than a second.

The reaction time is defined as the interval between a touch on the sensor and the moment that the SX8663 generates the interrupt on the INTB pin. The shorter the scan period the faster the reaction time will be.

Very low power consumptions can be obtained by setting very long scan periods with the expense of having longer reaction times.

All external events like GPIO, I2C and the interrupt are updated in the processing period, so once every scan period.

### 3.3 Operation modes

The SX8663 has 3 operation modes. The main difference is found in the reaction time (corresponding to the scan period) and power consumption.

Active mode offers fast scan periods. The typical reaction time is 30ms. All enabled sensors are scanned and information data is processed within this interval.

Doze mode increases the scan period time which increases the reaction time to 195ms typical and at the same time reduces the operating current.

Sleep mode turns the SX8663 OFF, except for the I2C peripheral, minimizing operating current while maintaining the power supplies. In Sleep mode the SX8663 does not do any sensor scanning. The Sleep mode will be exited by any I2C access.

The user can specify other scan periods for the Active and Doze mode and decide for other compromises between reaction time and power consumption.

In most applications the reaction time needs to be fast when fingers are present, but can be slow when no person uses the application. In case the SX8663 is not used for a specific time it will go from Active mode into Doze mode and power will be saved. This time-out is determined by the Passive Timer which can be configured by the user or turned OFF if not required.

To leave Doze mode and enter Active mode this can be done by a simple touch on any button.

The host can decide to force the operating mode by issuing commands over the I2C (using register CompOpMode) and take fully control of the SX8663. The diagram in Figure 7 shows the available operation modes and the possible transitions.

**ADVANCED COMMUNICATIONS & SENSING**

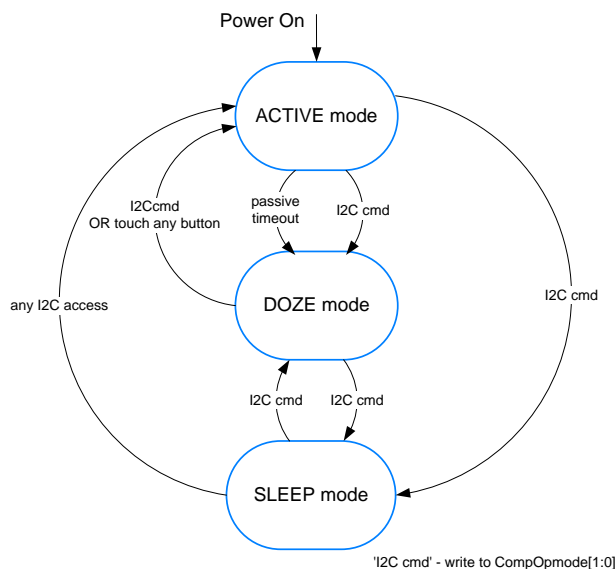


Figure 7 Operation modes

### 3.4 Sensors on the PCB

#### 3.4.1 Matrix Keys/Buttons (MK)

In opposition to most of the other Semtech capacitive sensing products where 1 button = 1 sensor (CAP0...CAP11), the SX8663 requires sensors to be routed in matrix and each button is formed by the intersection/concatenation of two sensors areas. The buttons are covered by isolating overlay material (typically 1mm...3mm). The area of a button is typically one square centimetre which corresponds about to the area of a finger touching the overlay material.

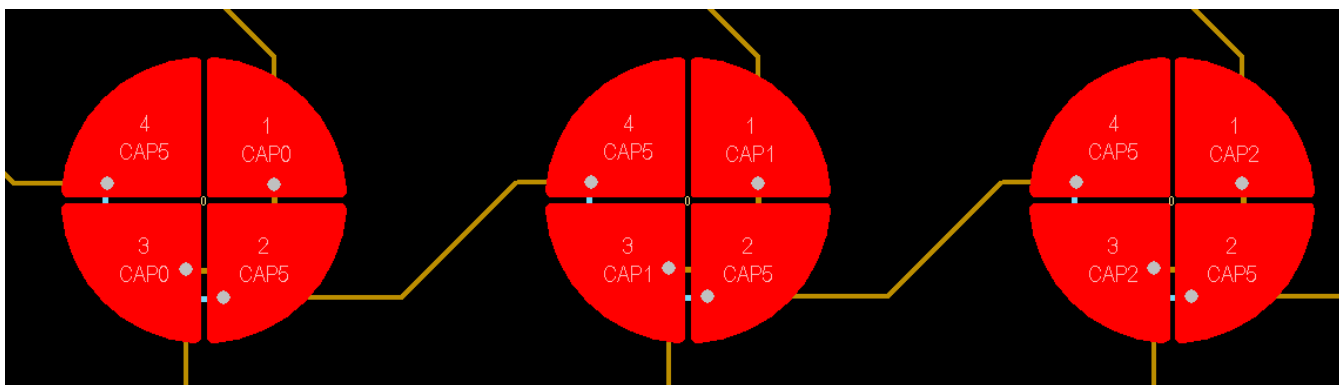


Figure 8 Matrix Buttons Layout/Connections (Red = Top; Brown = Inner1; Blue = Inner2)

**IMPORTANT:** Please note that while the matrix structure allows increasing dramatically the potential maximum number of buttons (up to 36 with only 12 sensors) it also limits the operation to max one matrix button reported at a time (ie single button touch operation). When several matrix buttons are touched only the first one is reported.

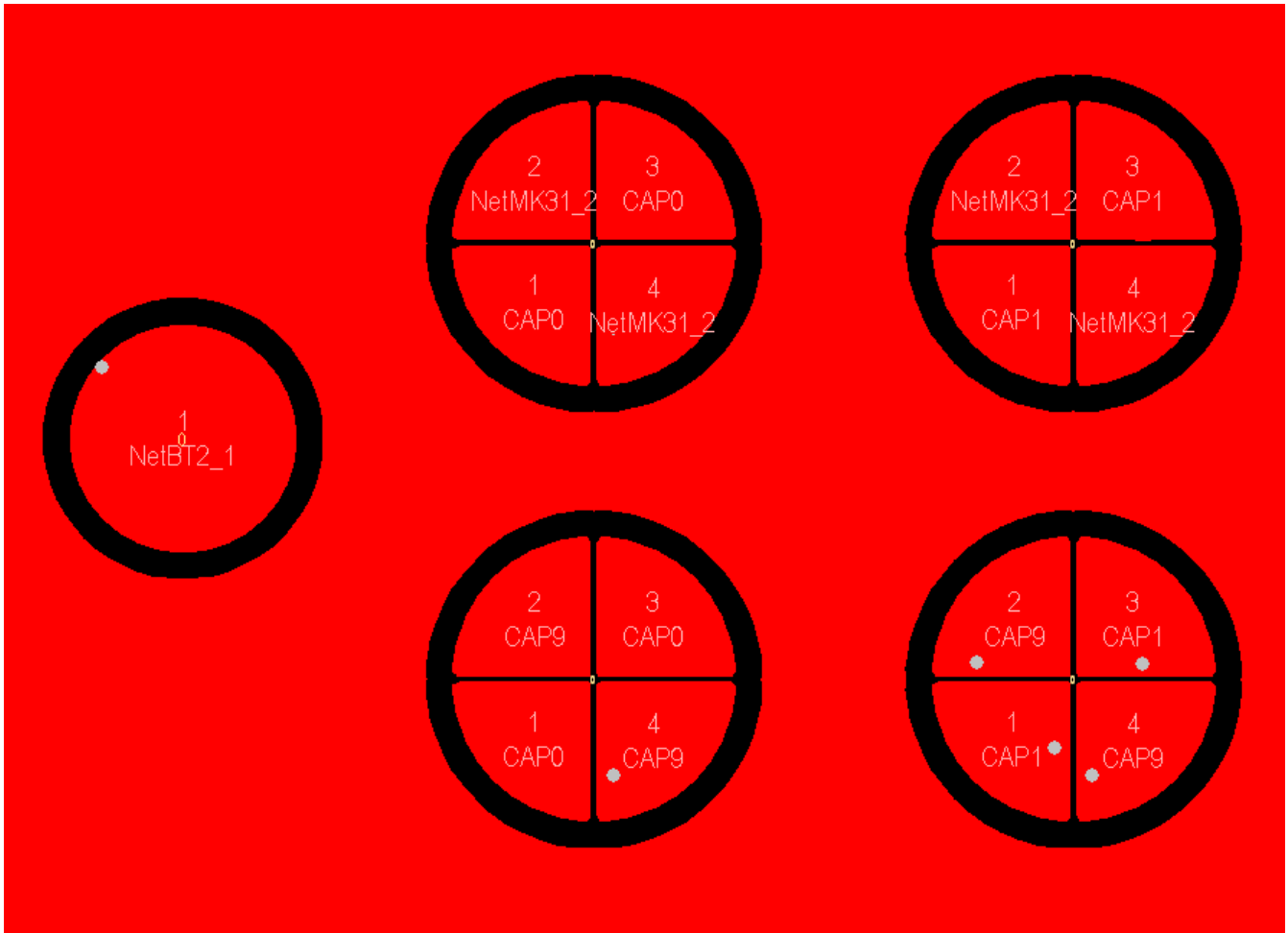
#### 3.4.2 Priority Key/Button (PK)

When the priority key is enabled in BtnCfg[6], CAP11 (or CAP10 if PS=ON) can be routed outside the matrix to a separate standard button sensor. Matrix size is then reduced to 6x5 keys (or 5x5 if PS is ON). Priority key operation/reporting is independent from the matrix and can be used for any “high priority” key (Power, Reset, etc) or “multi-touch” function (Shift, Alt, etc).

**ADVANCED COMMUNICATIONS & SENSING**

**3.4.3 Proximity Sensor (PS)**

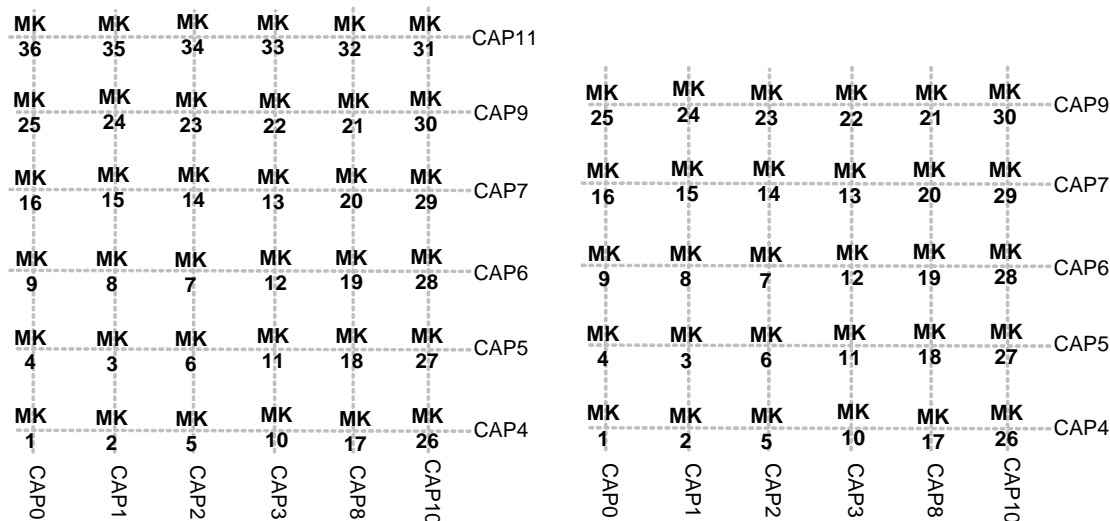
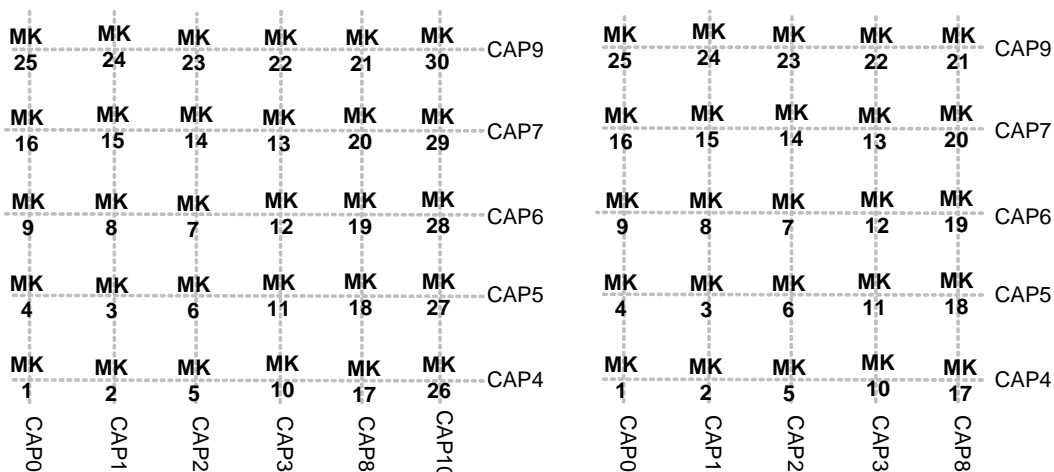
When the proximity sensor is enable in ProxCfg[7], CAP11 can be routed to a separate proximity sensor which is usually surrounding all buttons as illustrated in figure below.



*Figure 9 Proximity Sensor Surrounding MK and PK (left) Buttons*

**3.4.4 Schematics Requirements**

For each PK/PS combination, a specific schematic must be followed on the board as illustrated in figure below.

**ADVANCED COMMUNICATIONS & SENSING**

**PK = OFF ; PS = OFF**
**PK = ON (CAP11) ; PS = OFF**

**PK = OFF ; PS = ON (CAP11)**
**PK = ON (CAP10) ; PS = ON (CAP11)**
*Figure 10 Sensors Schematics Requirements vs Configuration*

**ADVANCED COMMUNICATIONS & SENSING**

### 3.5 Button Information (MK and PK)

The touch buttons have two simple states (see Figure 11): ON (touched by finger) and OFF (released and no finger press).

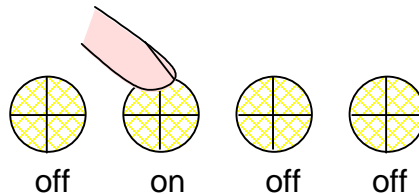


Figure 11 Buttons

A finger touch is reported as soon as the ASI ticks of both sensors forming the button exceed their user-defined threshold plus a hysteresis.

A finger release is reported as soon as the ASI ticks of at least one of the sensors forming the button goes below its user-defined threshold minus a hysteresis.

The hysteresis around the threshold avoids rapid touch and release signalling during transients.

**IMPORTANT:** Please note that while the matrix structure allows increasing dramatically the potential maximum number of buttons (up to 36 with only 12 sensors) it also limits the operation to max one matrix button reported at a time (ie single button touch operation). When two matrix buttons are touched only the first one is reported.

Note that the principle of proximity sensing (PS) operation is exactly the same as for touch buttons except that proximity sensing is done several centimeters above the overlay through the air. ON state means that finger/hand is detected by the sensor and OFF state means the finger/hand is far from the sensor and not detected.

### 3.6 Analog Sensing Interface

The Analog Sensing Interface (ASI) converts the charge on the sensors into ticks which will be further digitally processed. The basic principle of the ASI will be explained in this section.

The ASI consists of a multiplexer selecting the sensor, analog switches, a reference voltage, an ADC sigma delta converter, an offset compensation DAC and an external integration capacitor (see Figure 12).

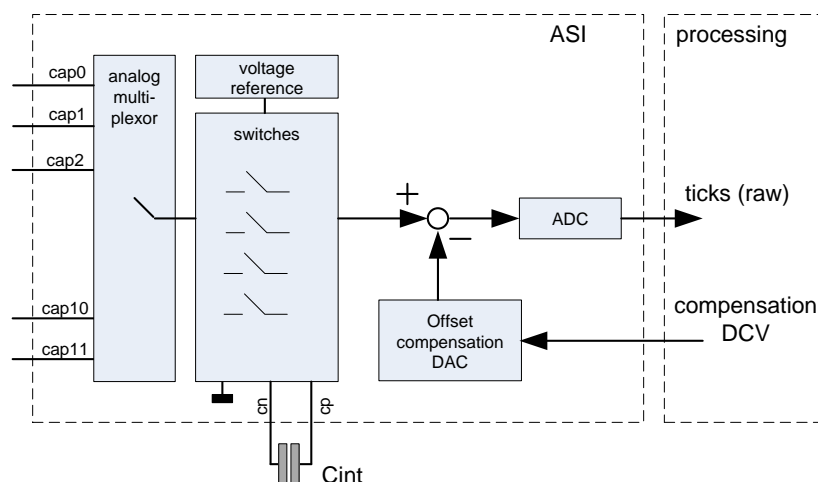


Figure 12 Analog Sensor Interface

**ADVANCED COMMUNICATIONS & SENSING**

To get the ticks representing the charge on a specific sensor the ASI will execute several steps.

The charge on a sensor cap (e.g CAP0) will be accumulated multiple times on the external integration capacitor, Cint.

This results in an increasing voltage on Cint proportional to the capacitance on CAP0.

At this stage the offset compensation DAC is enabled. The compensation DAC generates a voltage proportional to an estimation of the external capacitance. The estimation is obtained by the offset compensation procedure executed e.g. at power-up.

The difference between the DAC output and the charge on Cint is the desired signal. In the ideal case the difference of charge will be converted to zero ticks if no finger is present and the number of ticks becomes high in case a finger is present.

The difference of charge on Cint and the DAC output will be transferred to the ADC (Sigma Delta Integrator).

After the charge transfer to the ADC the steps above will be repeated.

The larger the number the cycles are repeated the larger the signal out of the ADC with improved SNR. The sensitivity is therefore directly related to the number of cycles.

The SX8663 allows setting the sensitivity for each sensor individually in applications which have a variety of sensors sizes or different overlays or for fine-tuning performances. The optimal sensitivity is depending heavily on the final application. If the sensitivity is too low the ticks will not pass the thresholds and user detection will not be possible. In case the sensitivity is set too large, some power will be wasted and false touch information may be output (i.e. for touch buttons => finger not touching yet).

Once the ASI has finished the first sensor, the ticks are stored and the ASI will start measuring the next sensor until all (enabled) sensors pins have been treated.

In case some sensors are disabled then these result in lower power consumption simply because the ASI is active for a shorter period and the following processing period will be shorter.

The ticks from the ASI will then be handled by the digital processing.

The ASI will shut down and wait until new sensing period will start.



### 3.7 Offset Compensation

The capacitance at the CAP pins is determined by an intrinsic capacitance of the integrated circuit, the PCB traces, ground coupling and the sensor planes. This capacitance is relatively large and might become easily some tens of pF. This parasitic capacitance will vary only slowly over time due to environmental changes.

A finger touch is in the order of one pF. If the finger approaches the sensor this occurs typically fast.

The ASI has the difficult task to detect and distinguish a small, fast changing capacitance, from a large, slow varying capacitance. This would require a very precise, high resolution ADC and complicated, power consuming, digital processing.

The SX8663 features a 16 bit DAC which compensates for the large, slow varying capacitance already in front of the ADC. In other words the ADC converts only the desired small signal. In the ideal world the ADC will put out zero ticks even if the external capacitance is as high as 100pF.

At each power-up of the SX8663 the Digital Compensation Values (DCV) are estimated by the digital processing algorithms. The algorithm will adjust the compensation values such that zero ticks will be generated by the ADC.

Once the correct compensation values are found these will be stored and used to compensate each CAP pin.

If the SX8663 is shut down the compensation values will be lost. At a next power-up the procedure starts all over again. This assures that the SX8663 will operate under any condition. Powering up at e.g. different temperatures will not change the performance of the SX8663 and the host does not have to do anything special.

The DCVs do not need to be updated if the external conditions remain stable.

However if e.g. temperature changes this will influence the external capacitance. The ADC ticks will drift then slowly around zero values basically because of the mismatch of the compensation circuitry and the external capacitance.

In case the average value of the ticks become higher than the positive noise threshold (configurable by user) or lower than the negative threshold (configurable by user) then the SX8663 will initiate a compensation procedure and find a new set of DCVs.

Compensation procedures can as well be initiated by the SX8663 on periodic intervals. Even if the ticks remain within the positive and negative noise thresholds the compensation procedure will then estimate new sets of DCVs.

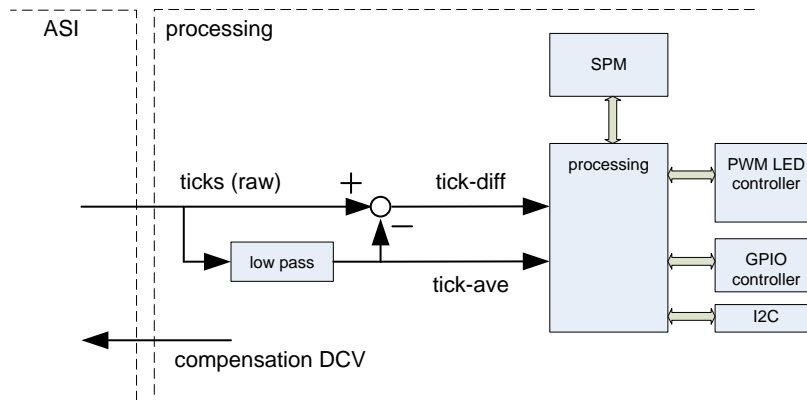
Finally the host can initiate a compensation procedure by using the I2C interface. This is e.g. required after the host changed the sensitivity of sensors.

## ADVANCED COMMUNICATIONS & SENSING

### 3.8 Processing

The first processing step of the raw ticks, coming out of the ASI, is low pass filtering to obtain an estimation of the average capacitance: tick-ave (see Figure 13).

This slowly varying average is important in the detection of slowly changing environmental changes.



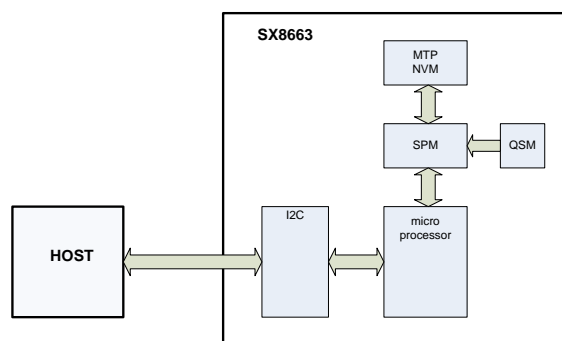
*Figure 13 Processing*

The difference of the tick average and the raw ticks, tick-diff, is a good estimation of rapid changing input capacitances.

The tick-diff, tick-ave and the configuration parameters in the SPM are then processed and determines the sensor information, I2C registers status and PWM control.

### 3.9 Configuration

Figure 14 shows the building blocks used for configuring the SX8663.



*Figure 14 Configuration*

The default configuration parameters of the SX8663 are stored in the Quick Start Memory (QSM). This configuration data is setup to a very common application for the SX8663 with 8 buttons. Without any programming or host interaction the SX8663 will start up in the Quick Start Application.

The QSM settings are fixed and cannot be changed by the user.

## ADVANCED COMMUNICATIONS & SENSING

In case the application needs different settings than the QSM settings then the SX8663 can be setup and/or programmed over the I2C interface.

The configuration parameters of the SX8663 can be stored in the Multiple Time Programmable (MTP) Non Volatile Memory (NVM). The NVM contains all those parameters that are defined and stable for the application. Examples are the number of sensors enabled, sensitivity, active and Doze scan period. The details of these parameters are described in the next chapters.

At power up the SX8663 checks if the NVM contains valid data. In that case the configuration parameter source becomes the NVM. If the NVM is empty or non-valid then the configuration source becomes the QSM. In the next step the SX8663 copies the configuration parameter source into the Shadow Parameter Memory (SPM). The SX8663 is operational and uses the configuration parameters of the SPM.

During power down or reset event the SPM loses all content. It will automatically be reloaded following power up or at the end of the reset event.

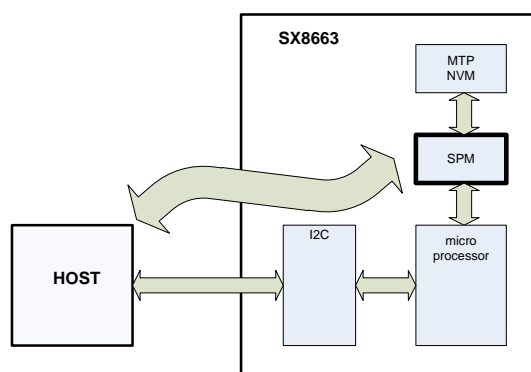
The host will interface with the SX8663 through the I2C bus and the analog output interface.

The I2C of the SX8663 consists of 16 registers. Some of these I2C registers are used to read the status and information of the buttons. Other I2C registers allow the host to take control of the SX8663. The host can e.g. decide to change the operation mode from active mode to Doze mode or go into sleep (according Figure 7).

Two additional modes allow the host to have an access to the SPM or indirect access to the NVM.

These modes are required during development, can be used in real time or in-field programming.

Figure 15 shows the Host SPM mode. In this mode the host can decide to overwrite the SPM. This is useful during the development phases of the application where the configuration parameters are not yet fully defined and as well during the operation of the application if some parameters need small deviations from the QSM or NVM content.

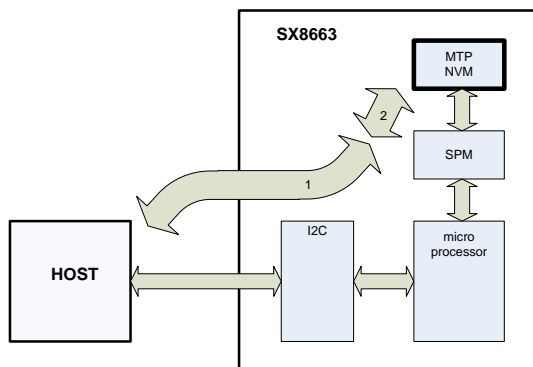


*Figure 15 Host SPM mode*

The content of the SPM remains valid as long as the SX8663 is powered. After a power down the host needs to re-write the SPM at the next power-up.

Figure 16 shows the Host NVM mode. In this mode the host will be able to write the NVM.

**ADVANCED COMMUNICATIONS & SENSING**



*Figure 16 Host NVM mode*

The writing of the host towards the NVM is not done directly but done in 2 steps (Figure 16).

In the first step the host writes to the SPM (as in Figure 15). In the second step the host signals the SX8663 to copy the SPM content into the NVM.

Initially the NVM memory is empty and it is required to determine a valid parameter set for the application. This can be done during the development phase using dedicated evaluation hardware representing the final application. This development phase uses probably initially the host SPM mode which allows faster iterations.

Once the parameter set is determined this can be written to the NVM over the I2C using the 2 steps approach by the host or a dedicated programmer for large volumes production (as described in the paragraphs 6.6 and 6.7).

### 3.10 Power Management

The SX8663 uses on-chip voltage regulators which are controlled by the on-chip microprocessor. The regulators need to be stabilized with an external capacitor between VANA and ground and between VDIG and ground (see Table 5). Both regulators are designed to only drive the SX8663 internal circuitry and must not be loaded externally.

### 3.11 Clock Circuitry

The SX8663 has its own internal clock generation circuitry that does not require any external components. The clock circuitry is optimized for low power operation and is controlled by the on-chip microprocessor. The typical operating frequency of the oscillating core is 16.7MHz from which all other lower frequencies are derived.

### 3.12 I2C interface

The I2C interface allows the communication between the host and the SX8663.

The I2C slave implemented on the SX8663 is compliant with the standard (100kb/s) and fast mode (400kb/s). The default SX8663 I2C address equals 0b010 1011.

A different I2C address can be programmed by the user in the NVM.

## ADVANCED COMMUNICATIONS & SENSING

### 3.13 Interrupt

#### 3.13.1 Power up

During power up the INTB is kept low. Once the power up sequence is terminated the INTB is cleared autonomously. The SX8663 is then ready for operation.

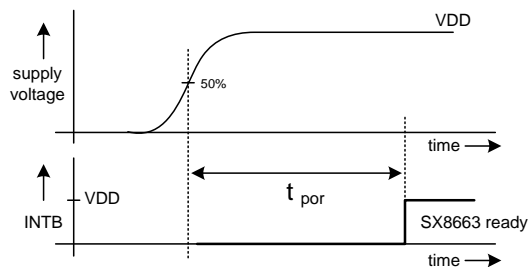


Figure 17 Power Up vs. INTB

During the power on period the SX8663 stabilizes the internal regulators, RC clocks and the firmware initializes all registers.

During the power up the SX8663 is not accessible and I2C communications are forbidden. The GPIOs set as inputs with a pull up resistor.

As soon as the INTB rises the SX8663 will be ready for I2C communication. The GPIOs are then configured according the parameters in the SPM.

The value of INTB before power up depends on the INTB pull up resistor supply voltage.

#### 3.13.2 Assertion

INTB is updated in Active or Doze mode once every scan period.

The INTB will be asserted at the following events:

- if a Button event occurred (touch or release if enabled). I2C register CapStatKeys show the detailed status of the Buttons,
- when actually entering Active or Doze mode via a host request (may be delayed by 1 scan period). I2C register CompOpmode shows the current operation mode,
- once compensation procedure is completed either through automatic trigger or via host request (may be delayed by 1 scan period),
- once SPM write is effective (may be delayed by 1 scan period),
- once NVM burn procedure is completed (may be delayed by 1 scan period),
- during reset (power up, hardware RESETB, software reset).

#### 3.13.3 Clearing

The clearing of the INTB is done as soon as the host performs a read to any of the SX8663 I2C registers.

**ADVANCED COMMUNICATIONS & SENSING**

3.13.4 Example

A typical example of the assertion and clearing of the INTB and the I2C communication is shown in Figure 18.

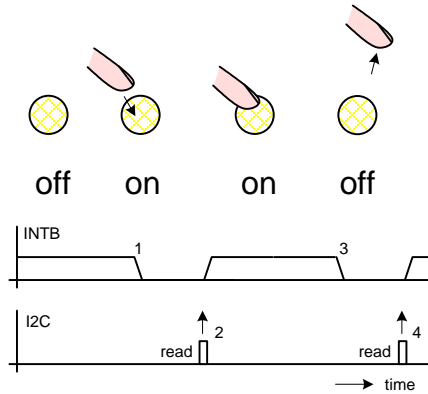


Figure 18 Interrupt and I2C

When a button is touched the SX8663 will assert the interrupt (1). The host will read the SX8663 status information over the I2C (2) and this clears the interrupt.

If the finger releases the button the interrupt will be asserted (3), the host reads the status (4) which clears the interrupt.

In case the host will not react to an interrupt then this will result in a missing touch.

**3.14 Reset**

The reset can be performed by 3 sources:

- power up,
- RESETB pin,
- software reset.

3.14.1 Power up

During power up the INTB is kept low. Once the power up sequence is terminated the INTB is released autonomously. The SX8663 is then ready for operation.

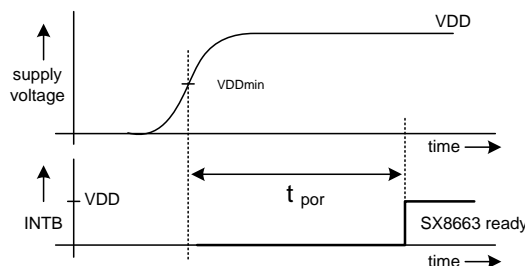


Figure 19 Power Up vs. INTB

## ADVANCED COMMUNICATIONS & SENSING

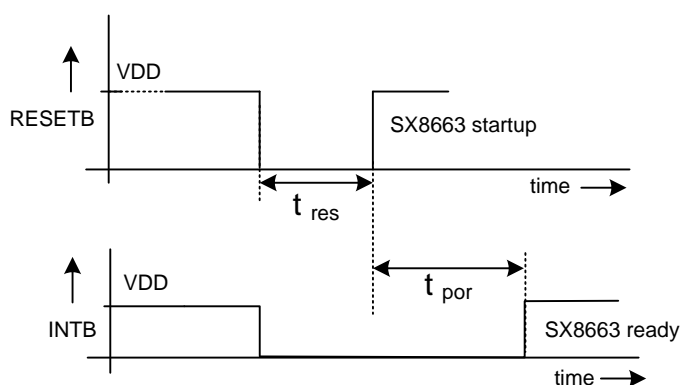
During the power on period the SX8663 stabilizes the internal regulators, RC clocks and the firmware initializes all registers.

During the power up the SX8663 is not accessible and I2C communications are forbidden. As soon as the INTB rises the SX8663 will be ready for I2C communication.

### 3.14.2 RESETB

When RESETB is driven low the SX8663 will reset and start the power up sequence as soon as RESETB is driven high or pulled high.

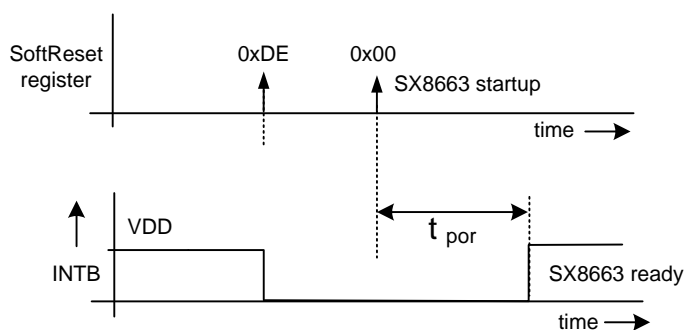
In case the user does not require a hardware reset control pin then the RESETB pin can be connected to VDD.



*Figure 20 Hardware Reset*

### 3.14.3 Software Reset

To perform a software reset the host needs to write 0xDE followed by 0x00 at the SoftReset register at address 0xB1.



*Figure 21 Software Reset*

**ADVANCED COMMUNICATIONS & SENSING**

### 3.15 General Purpose Input and Outputs

The SX8663 offers eight General Purpose Input and Outputs (GPIO) pins which can be configured in any of these modes:

- GPO (General Purpose Output) with Autolight ON/OFF
- SPO (Special Purpose Output). GPIO7 only; in this mode the GPIO can be connected to an external buzzer.

The input state of the GPIO is only used during the initial phase of the power up period.

Each of these GPIO modes is described in more details in the following sections.

The polarity of the GPO pins is defined as in figure below, driving an LED as example. It has to be set accordingly in SPM parameter GpioPolarity.

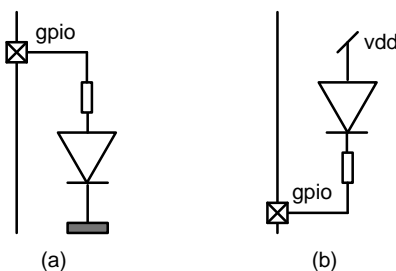


Figure 22 polarity = 1/Normal (a), polarity = 0/Inverted (b)

The PWM blocks used GPO modes are 8-bits based and clocked at 2MHz typ. hence offering 256 selectable pulse width values with a granularity of 0.5us typ.

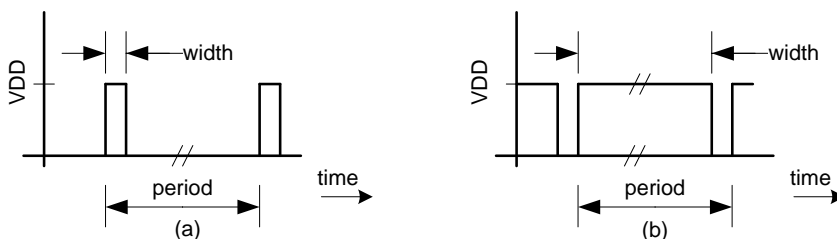


Figure 23 PWM definition, (a) small pulse width, (b) large pulse width

#### 3.15.1 GPO

GPIOs configured as GPO will operate as digital outputs which can generate both standard low/high logic levels and PWM low/high duty cycles levels. Typical application is LED ON/OFF control.

Transitions between ON and OFF states can be triggered either automatically (Autolight ON) or manually by the host (Autolight OFF). This is illustrated in figures below.



**ADVANCED COMMUNICATIONS & SENSING**

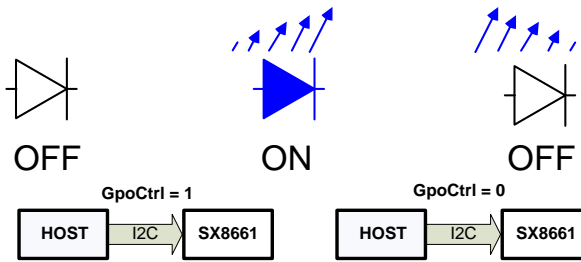


Figure 24 LED Control in GPO mode, Autolight OFF

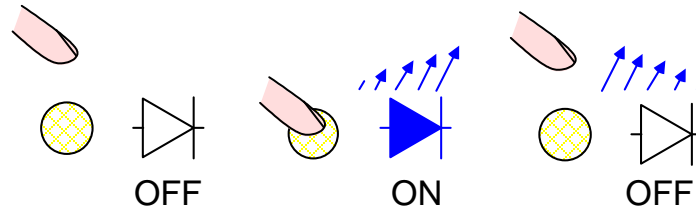


Figure 25 LED Control in GPO mode, Autolight ON

Additionally these transitions can be configured to be done with or without fading following a logarithmic or linear function. This is illustrated in figures below.

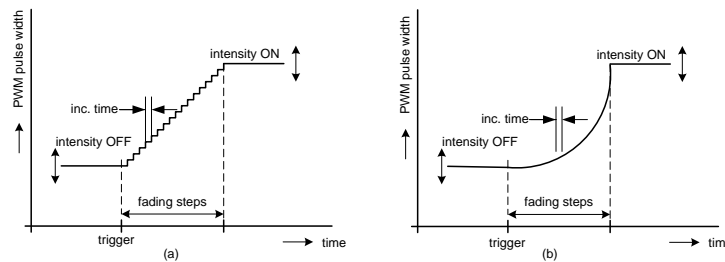


Figure 26 GPO ON transition (LED fade in), normal polarity, (a) linear, (b) logarithmic

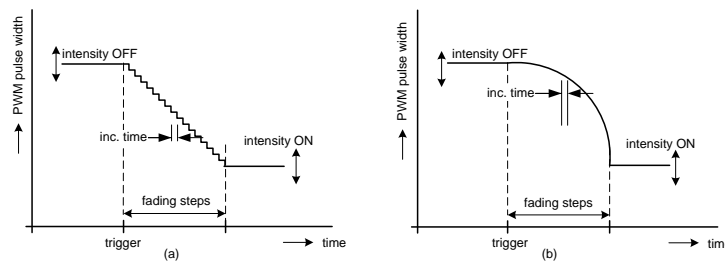


Figure 27 GPO ON transition (LED fade in), inverted polarity, (a) linear, (b) logarithmic

The fading out (e.g. after a button is released) is identical to the fading in but an additional off delay can be added before the fading starts (Figure 28 and Figure 29).

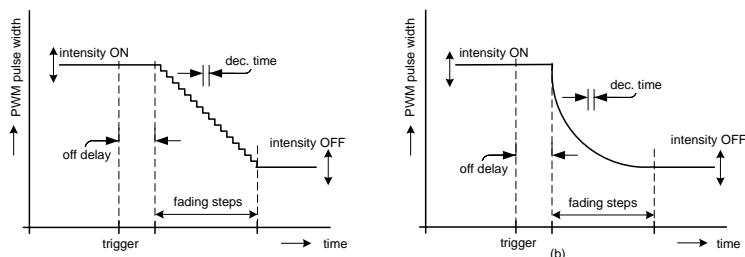
**ADVANCED COMMUNICATIONS & SENSING**


Figure 28 GPO OFF transition (LED fade out), normal polarity, (a) linear, (b) logarithmic

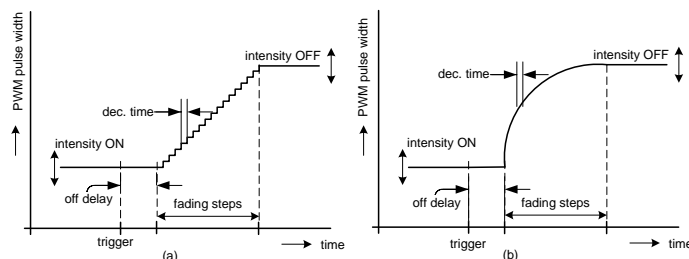


Figure 29 GPO OFF transition (LED fade out), inverted polarity, (a) linear, (b) logarithmic

Please note that standard high/low logic signals are just a specific case of GPO mode and can also be generated simply by setting inc/dec time to 0 (i.e. OFF) and programming intensity OFF/ON to 0x00 and 0xFF.

### 3.15.2 Fading Modes

The SX8663 supports two different fading modes, namely Single and Continuous. These fading modes can be configured for each GPIO individually. Please see 5.7 “GPIO Parameters” for more information on how to configure this feature.

#### i) Single Fading Mode:

The GPO pin fades in when the associated button is touched and it fades out when it is released. This is shown in Figure 30

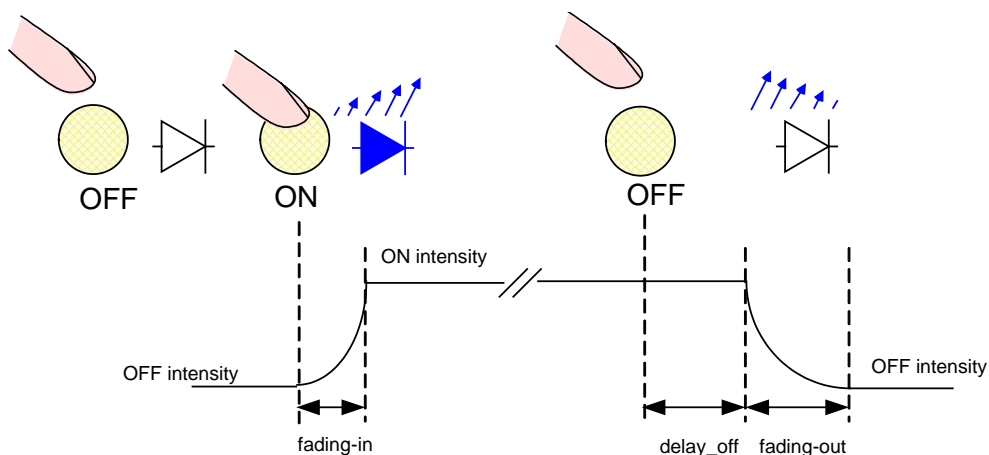
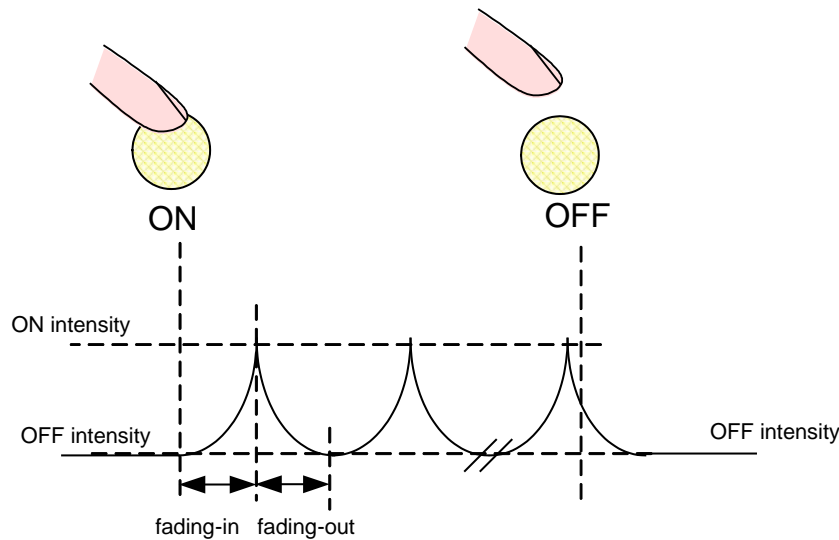


Figure 30 Single Fading Mode

#### ii) Continuous Fading Mode:

### ADVANCED COMMUNICATIONS & SENSING

The GPO pin fades in and fades out continuously when the associated button is touched. The fading in and out stops when the button is released. This is shown in Figure 31.



*Figure 31 Continuous Fading Mode*

#### 3.15.3 Intensity index vs PWM pulse width

Tables below are used to convert all intensity indexes parameters GpioIntensityOff, GpioIntensityOn and GppIntensity but also to generate fading in GPO mode  
 During fading in(out), the index is automatically incremented(decremented) at every Inc(Dec)Time x Inc(Dec)Factor until it reaches the programmed GpioIntensityOn(Off) value.

Index	Lin/Log	Index	Lin/Log	Index	Lin/Log	Index	Lin/Log	Index	Lin/Log	Index	Lin/Log	Index	Lin/Log	Index	Lin/Log
0	0/0	32	33/5	64	65/12	96	97/26	128	129/48	160	161/81	192	193/125	224	225/184
1	2/0	33	34/5	65	66/13	97	98/27	129	130/49	161	162/82	193	194/127	225	226/186
2	3/0	34	35/5	66	67/13	98	99/27	130	131/50	162	163/83	194	195/129	226	227/188
3	4/0	35	36/5	67	68/13	99	100/28	131	132/51	163	164/84	195	196/130	227	228/190
4	5/0	36	37/5	68	69/14	100	101/29	132	133/52	164	165/86	196	197/132	228	229/192
5	6/2	37	38/6	69	70/14	101	102/29	133	134/53	165	166/87	197	198/133	229	230/194
6	7/2	38	39/6	70	71/14	102	103/30	134	135/54	166	167/88	198	199/135	230	231/197
7	8/2	39	40/6	71	72/15	103	104/30	135	136/55	167	168/89	199	200/137	231	232/199
8	9/2	40	41/6	72	73/15	104	105/31	136	137/55	168	169/91	200	201/139	232	233/201
9	10/2	41	42/6	73	74/15	105	106/32	137	138/56	169	170/92	201	202/140	233	234/203
10	11/2	42	43/7	74	75/16	106	107/32	138	139/57	170	171/93	202	203/142	234	235/205
11	12/2	43	44/7	75	76/16	107	108/33	139	140/58	171	172/95	203	204/144	235	236/208
12	13/2	44	45/7	76	77/16	108	109/33	140	141/59	172	173/96	204	205/146	236	237/210
13	14/2	45	46/7	77	78/17	109	110/34	141	142/60	173	174/97	205	206/147	237	238/212
14	15/3	46	47/7	78	79/17	110	111/35	142	143/61	174	175/99	206	207/149	238	239/215
15	16/3	47	48/8	79	80/18	111	112/35	143	144/62	175	176/100	207	208/151	239	240/217
16	17/3	48	49/8	80	81/18	112	113/36	144	145/63	176	177/101	208	209/153	240	241/219
17	18/3	49	50/8	81	82/19	113	114/37	145	146/64	177	178/103	209	210/155	241	242/221
18	19/3	50	51/8	82	83/19	114	115/38	146	147/65	178	179/104	210	211/156	242	243/224
19	20/3	51	52/9	83	84/20	115	116/38	147	148/66	179	180/106	211	212/158	243	244/226
20	21/3	52	53/9	84	85/20	116	117/39	148	149/67	180	181/107	212	213/160	244	245/229
21	22/3	53	54/9	85	86/21	117	118/40	149	150/68	181	182/109	213	214/162	245	246/231
22	23/3	54	55/9	86	87/21	118	119/40	150	151/69	182	183/110	214	215/164	246	247/233
23	24/4	55	56/10	87	88/22	119	120/41	151	152/71	183	184/111	215	216/166	247	248/236
24	25/4	56	57/10	88	89/22	120	121/42	152	153/72	184	185/113	216	217/168	248	249/238
25	26/4	57	58/10	89	90/23	121	122/43	153	154/73	185	186/114	217	218/170	249	250/241
26	27/4	58	59/10	90	91/23	122	123/44	154	155/74	186	187/116	218	219/172	250	251/243
27	28/4	59	60/11	91	92/24	123	124/44	155	156/75	187	188/117	219	220/174	251	252/246
28	29/4	60	61/11	92	93/24	124	125/45	156	157/76	188	189/119	220	221/176	252	253/248
29	30/4	61	62/11	93	94/25	125	126/46	157	158/77	189	190/121	221	222/178	253	254/251
30	31/4	62	63/12	94	95/25	126	127/47	158	159/78	190	191/122	222	223/180	254	255/253
31	32/5	63	64/12	95	96/26	127	128/48	159	160/80	191	192/124	223	224/182	255	256/256

*Table 7 Intensity index vs. PWM pulse width (normal polarity)*

Index	Lin/Log	Index	Lin/Log	Index	Lin/Log	Index	Lin/Log	Index	Lin/Log	Index	Lin/Log	Index	Lin/Log	Index	Lin/Log
0	256/256	32	224/251	64	192/244	96	160/230	128	128/208	160	96/175	192	64/131	224	32/72
1	255/256	33	223/251	65	191/243	97	159/229	129	127/207	161	95/174	193	63/129	225	31/70

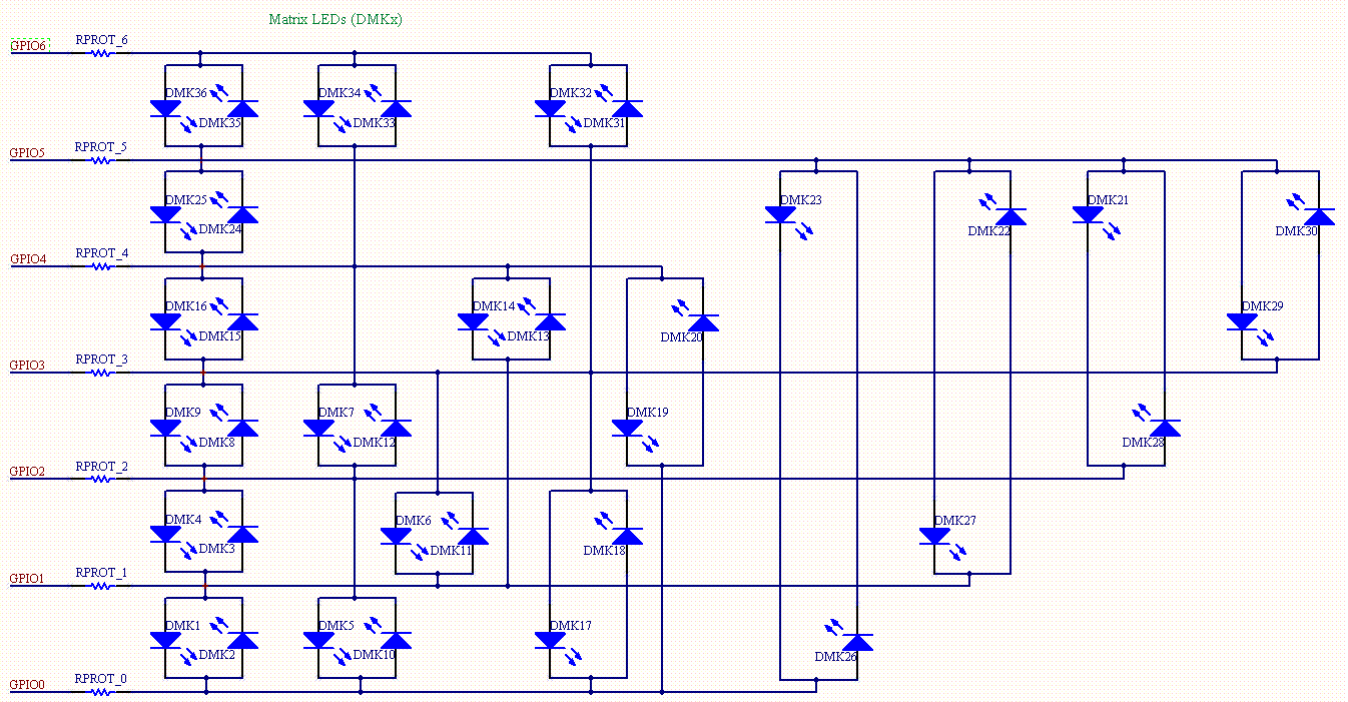
### ADVANCED COMMUNICATIONS & SENSING

2	254/256	34	222/251	66	190/243	98	158/229	130	126/206	162	94/173	194	62/127	226	30/68
3	253/256	35	221/251	67	189/243	99	157/228	131	125/205	163	93/172	195	61/126	227	29/66
4	252/256	36	220/251	68	188/242	100	156/227	132	124/204	164	92/170	196	60/124	228	28/64
5	251/254	37	219/250	69	187/242	101	155/227	133	123/203	165	91/169	197	59/123	229	27/62
6	250/254	38	218/250	70	186/242	102	154/226	134	122/202	166	90/168	198	58/121	230	26/59
7	249/254	39	217/250	71	185/241	103	153/226	135	121/201	167	89/167	199	57/119	231	25/57
8	248/254	40	216/250	72	184/241	104	152/225	136	120/201	168	88/165	200	56/117	232	24/55
9	247/254	41	215/250	73	183/241	105	151/224	137	119/200	169	87/164	201	55/116	233	23/53
10	246/254	42	214/249	74	182/240	106	150/224	138	118/199	170	86/163	202	54/114	234	22/50
11	245/254	43	213/249	75	181/240	107	149/223	139	117/198	171	85/161	203	53/112	235	21/48
12	244/254	44	212/249	76	180/240	108	148/223	140	116/197	172	84/160	204	52/110	236	20/46
13	243/254	45	211/249	77	179/239	109	147/222	141	115/196	173	83/159	205	51/109	237	19/44
14	242/253	46	210/249	78	178/239	110	146/221	142	114/195	174	82/157	206	50/107	238	18/41
15	241/253	47	209/248	79	177/238	111	145/221	143	113/194	175	81/156	207	49/105	239	17/39
16	240/253	48	208/248	80	176/238	112	144/220	144	112/193	176	80/155	208	48/103	240	16/37
17	239/253	49	207/248	81	175/237	113	143/219	145	111/192	177	79/153	209	47/101	241	15/35
18	238/253	50	206/248	82	174/237	114	142/218	146	110/191	178	78/152	210	46/100	242	14/32
19	237/253	51	205/247	83	173/236	115	141/218	147	109/190	179	77/150	211	45/98	243	13/30
20	236/253	52	204/247	84	172/236	116	140/217	148	108/189	180	76/149	212	44/96	244	12/27
21	235/253	53	203/247	85	171/235	117	139/216	149	107/188	181	75/147	213	43/94	245	11/25
22	234/253	54	202/247	86	170/235	118	138/216	150	106/187	182	74/146	214	42/92	246	10/23
23	233/252	55	201/246	87	169/234	119	137/215	151	105/185	183	73/145	215	41/90	247	9/20
24	232/252	56	200/246	88	168/234	120	136/214	152	104/184	184	72/143	216	40/88	248	8/18
25	231/252	57	199/246	89	167/233	121	135/213	153	103/183	185	71/142	217	39/86	249	7/15
26	230/252	58	198/246	90	166/233	122	134/212	154	102/182	186	70/140	218	38/84	250	6/13
27	229/252	59	197/245	91	165/232	123	133/212	155	101/181	187	69/139	219	37/82	251	5/10
28	228/252	60	196/245	92	164/232	124	132/211	156	100/180	188	68/137	220	36/80	252	4/8
29	227/252	61	195/245	93	163/231	125	131/210	157	99/179	189	67/135	221	35/78	253	3/5
30	226/252	62	194/244	94	162/231	126	130/209	158	98/178	190	66/134	222	34/76	254	2/3
31	225/251	63	193/244	95	161/230	127	129/208	159	97/176	191	65/132	223	33/74	255	0/0

*Table 8 Intensity index vs. PWM pulse width (inverted polarity)*

#### 3.15.4 Tri-State Multiplexing (TSM)

SX8663 can support up to 36 individual LEDs ie one per matrix key. To make this possible with the limited GPIOs available a Tri-State Multiplexing driver has been implemented on chip and a specific LED matrix connection **must** be followed for correct operation.



*Figure 32 Tri-State Multiplexing Schematics (DMKx = LED of button MKx, Cf Figure 50)*

Whenever set to GPO with Autolight ON, GPIO0-6 (GPIO0-5 if PK is enabled) are automatically configured for TSM operation.

If only PS is enabled the matrix is reduced to 6x5 LEDs, DMK31-36 can be removed and GPIO6 is available.

If both PS and PK are enabled the matrix is reduced to 5x5 LEDs, DMK26-36 can be removed and GPIO6 is automatically used for PK independent LED feedback (if Autolight ON, else can be controlled by the host).

In addition to the standard individual button touch/release, if PS is enabled and ProxCfg[4:2] != 000 the remaining DMKx (6x5 or 5x5) will partially turn ON when proximity is detected as illustrated in figure below.

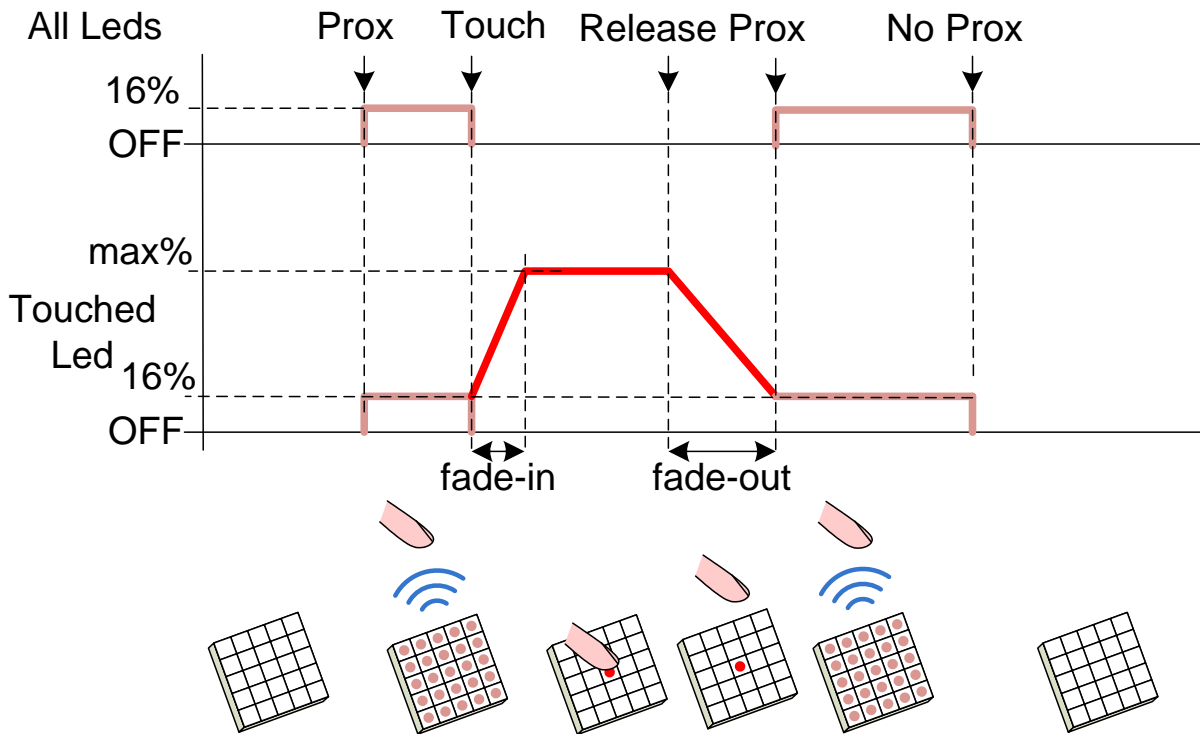
**ADVANCED COMMUNICATIONS & SENSING**


Figure 33 Typical Tri-State Multiplexing Behavior when Proximity Sensing is Enabled

## ADVANCED COMMUNICATIONS & SENSING

### 4 PIN DESCRIPTIONS

#### 4.1 Introduction

This chapter describes briefly the pins of the SX8663, the way the pins are protected, if the pins are analog, digital, require pull up or pull down resistors and show control signals if these are available.

#### 4.2 ASI pins

##### **CAP0, CAP1,...,CAP11**

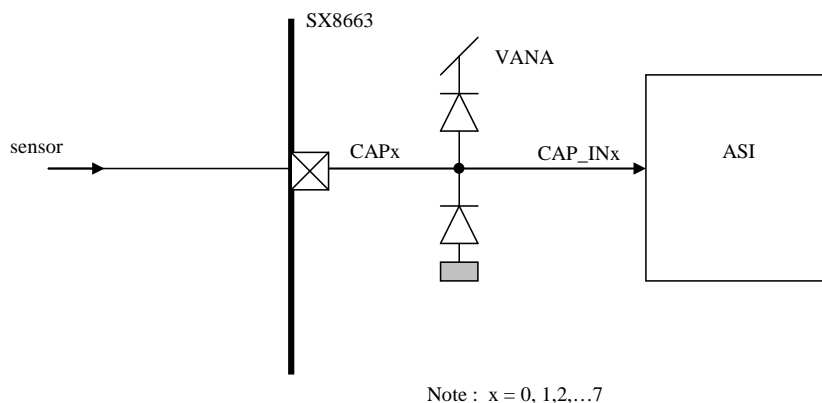
The capacitance sensor pins (CAP0, CAP1,..., CAP11) are connected directly to the ASI circuitry which converts the sensed capacitance into digital values.

The capacitance sensor pins which are not used should be left open.

The enabled CAP pins need be connected directly to the sensors without significant resistance (typical below some ohms, connection vias are allowed).

The capacitance sensor pins are protected to VANA and GROUND.

Figure 34 shows the simplified diagram of the CAP0, CAP1,...CAP11 pins.



*Figure 34 Simplified diagram of CAP0, CAP1,...,CAP11*

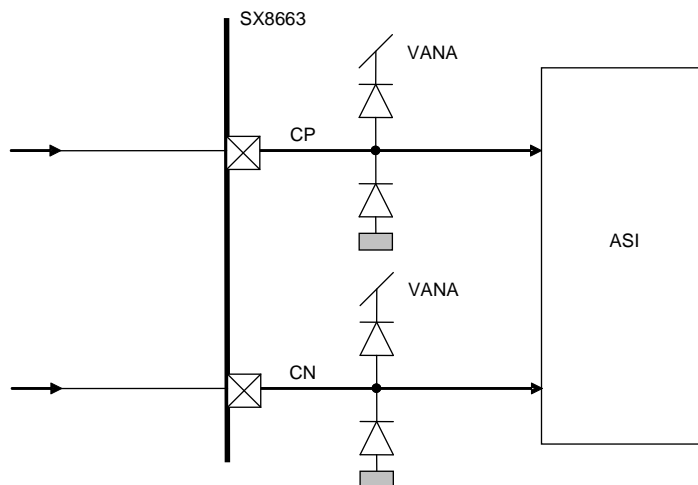
##### **CN, CP**

The CN and the CP pins are connected to the ASI circuitry. A 1nF sampling capacitor between CP and CN needs to be placed as close as possible to the SX8663.

The CN and CP are protected to VANA and GROUND.

Figure 35 shows the simplified diagram of the CN and CP pins.

**ADVANCED COMMUNICATIONS & SENSING**



*Figure 35 Simplified diagram of CN and CP*

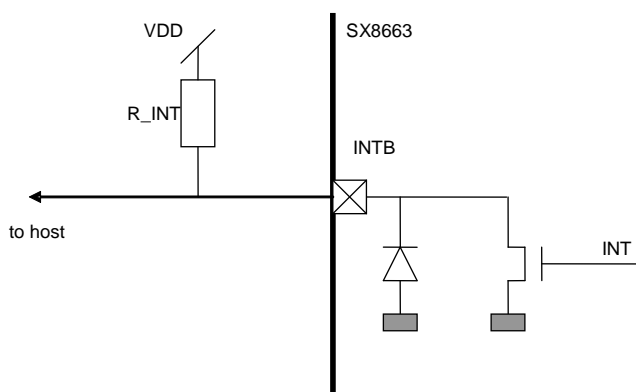
### 4.3 Host interface pins

The host interface consists of the interrupt pin INTB, a reset pin RESETB and the standard I2C pins: SCL and SDA.

#### INTB

The INTB pin is an open drain output that requires an external pull-up resistor (1..10 kOhm). The INTB pin is protected to VDD using dedicated devices. The INTB pin has diode protected to GROUND.

Figure 36 shows a simplified diagram of the INTB pin.

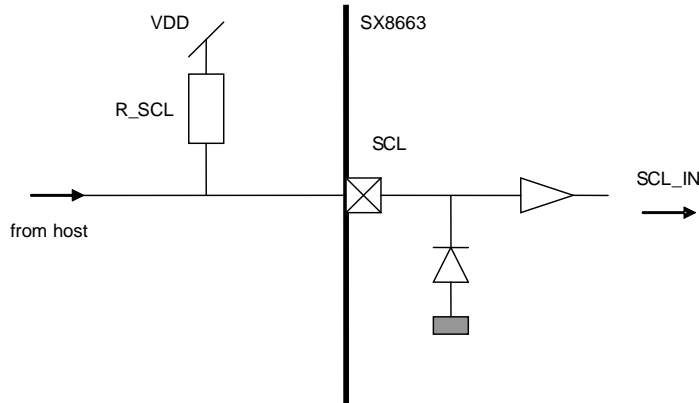


*Figure 36 Simplified diagram of INTB*

**ADVANCED COMMUNICATIONS & SENSING**
**SCL**

The SCL pin is a high impedance input pin. The SCL pin is protected to VDD, using dedicated devices, in order to conform to standard I2C slave specifications. The SCL pin has diode protected to GROUND. An external pull-up resistor (1..10 kOhm) is required on this pin.

Figure 37 shows the simplified diagram of the SCL pin.



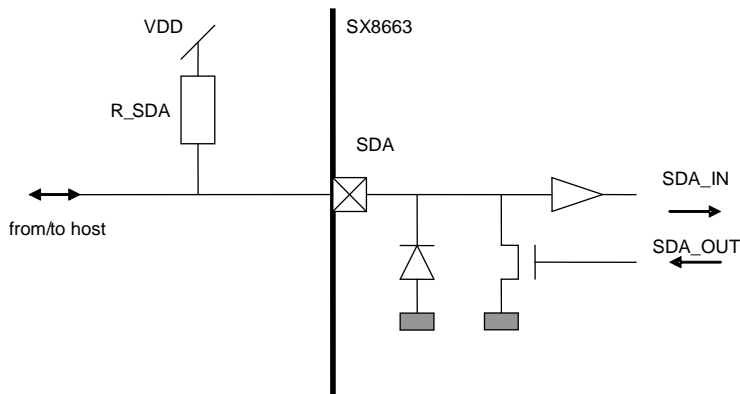
*Figure 37 Simplified diagram of SCL*

**SDA**

SDA is an IO pin that can be used as an open drain output pin with external pull-up resistor or as a high impedance input pin. The SDA IO pin is protected to VDD, using dedicated devices, in order to conform to standard I2C slave specifications. The SDA pin has diode protected to GROUND.

An external pull-up resistor (1..10 kOhm) is required on this pin.

Figure 38 shows the simplified diagram of the SDA pin.



*Figure 38 Simplified diagram of SDA*

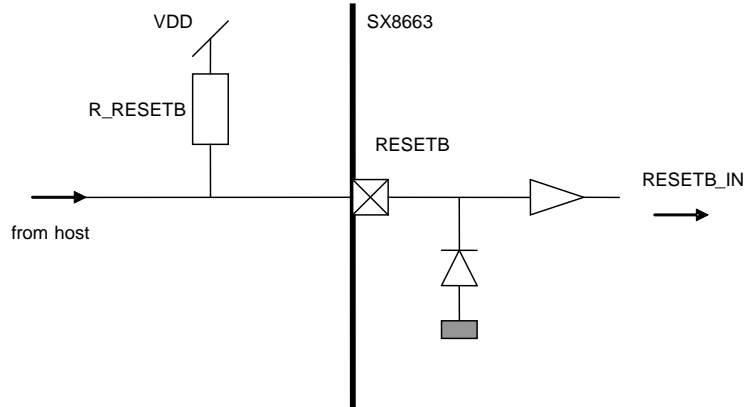


**ADVANCED COMMUNICATIONS & SENSING**

**RESETB**

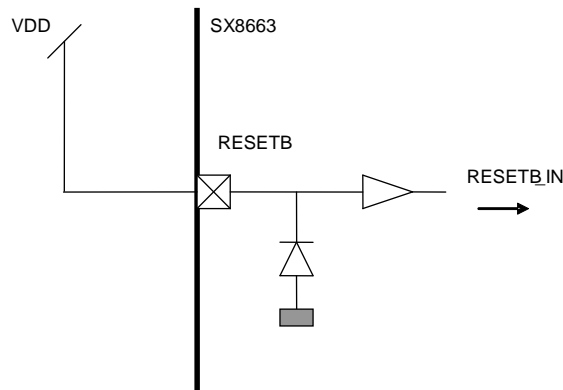
The RESETB pin is a high impedance input pin. The RESETB pin is protected to VDD using dedicated devices. The RESETB pin has diode protected to GROUND.

Figure 39 shows the simplified diagram of the RESETB pin controlled by the host.



*Figure 39 Simplified diagram of RESETB controlled by host*

Figure 40 shows the RESETB without host control.



*Figure 40 Simplified diagram of RESETB without host control*

## ADVANCED COMMUNICATIONS & SENSING

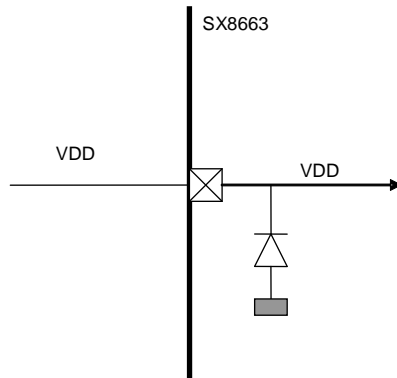
### 4.4 Power management pins

The power management pins consist of the Power, Ground and Regulator pins.

#### VDD

VDD is a power pin and is the main power supply for the SX8663. VDD has protection to GROUND.

Figure 41 shows a simplified diagram of the VDD pin.



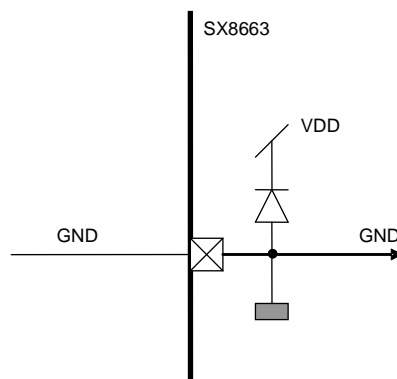
*Figure 41 Simplified diagram of VDD*

#### GND

The SX8663 has four ground pins all named GND. These pins and the package center pad need to be connected to ground potential.

The GND has protection to VDD.

Figure 42 shows a simplified diagram of the GND pin.



*Figure 42 Simplified diagram of GND*

**ADVANCED COMMUNICATIONS & SENSING**
**VANA, VDIG**

The SX8663 has on-chip regulators for internal use (pins VANA and VDIG).

VANA and VDIG have protection to VDD and to GND.

The output of the regulators needs to be de-coupled with a small 100nF capacitor to ground.

Figure 43 shows a simplified diagram of the VANA and VDIG pin.

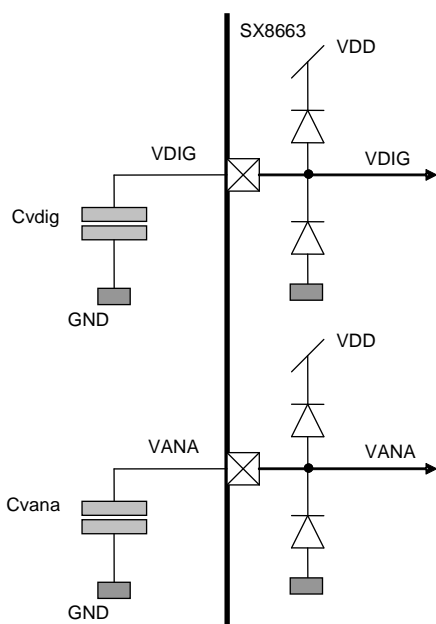


Figure 43 Simplified diagram of VANA and VDIG

**4.5 General purpose IO pins**

The SX8663 has 8 General purpose input/output (GPIO) pins.

All the GPIO pins have protection to VDD and GND.

Figure 44 shows a simplified diagram of the GPIO pins.

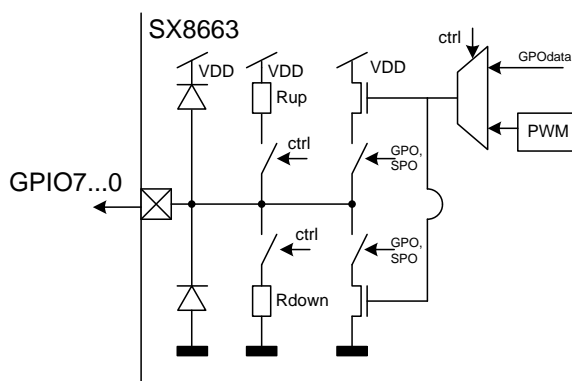


Figure 44 Simplified diagram of GPIO pins

**ADVANCED COMMUNICATIONS & SENSING****5 DETAILED CONFIGURATION DESCRIPTIONS****5.1 Introduction**

The SX8663 configuration parameters are taken from the QSM or the NVM and loaded into the SPM as explained in the chapter 'functional description'.

This chapter describes the details of the configuration parameters of the SX8663.

The SPM is split by functionality into 5 configuration sections:

- General: operating modes,
- Capacitive Sensors: related to lower level capacitive sensing,
- Buttons (MK and PK): related to the conversion from sensor data towards button information,
- Buzzer: defining parameters for the buzzer
- GPIOs: related to the setup of the GPIO pins.

The total address space of the SPM and the NVM is 128 bytes, from address 0x00 to address 0x7F.

Two types of memory addresses, data are accessible to the user.

- 'application data': Application dependent data that need to be configured by the user.
- 'reserved': Data that need to be maintained by the user to the QSM default values (i.e. when NVM is burned).

The Table 9 and Table 10 resume the complete SPM address space and show the 'application data' and 'reserved' addresses, the functional split and the default values (loaded from the QSM).

## ADVANCED COMMUNICATIONS & SENSING

Address	Name	Default/QSM value	Address	Name	Default/QSM value	
0x00	Reserved	0xxx	0x20	Reserved	0x00	
0x01	Reserved	0xxx	0x21	Reserved	0x00	
0x02	Reserved	0x43	0x22	BtnCfg	0x30	
0x03	Reserved	0xxx	0x23	BtnAvgThresh	0x50	
0x04	General	I2CAddress	0x24	BtnCompNegThresh	0xA0	
0x05		ActiveScanPeriod	0x25	BtnCompNegCntMax	0x01	
0x06		DozeScanPeriod	0x0D	BtnHysteresis	0x0A	
0x07		PassiveTimer	0x00	BtnStuckAtTimeout	0x00	
0x08		Reserved	0x28	Reserved	0x80	
0x09	Capacitive Sensors	CapModeMisc	0x29	Reserved	0x00	
0x0A		Reserved	0x2A	Reserved	0xFF	
0x0B		Reserved	0x2B	Reserved	0x00	
0x0C		Reserved	0x2C	ProxCfg	0x7D	
0x0D		CapSensitivity0_1	0x44	0x2D	ProxDebounce	0x00
0x0E		CapSensitivity2_3	0x44	0x2E	ProxHysteresis	0x0A
0x0F		CapSensitivity4_5	0x44	0x2F	Reserved	0x00
0x10		CapSensitivity6_7	0x44	0x30	Reserved	0x64
0x11		CapSensitivity8_9	0x44	0x31	Reserved	0x34
0x12		CapSensitivity10_11	0x44	0x32	ProxAvgThresh	0x50
0x13		CapThresh0	0xA0	0x33	ProxCompNegThresh	0xA0
0x14		CapThresh1	0xA0	0x34	ProxCompNegCntMax	0x01
0x15		CapThresh2	0xA0	0x35	ProxStuckAtTimeout	0x00
0x16		CapThresh3	0xA0	0x36	Reserved	0x00
0x17		CapThresh4	0xA0	0x37	BuzzerCfg	0xA4
0x18		CapThresh5	0xA0	0x38	BuzzerFreqPhase1	0x40
0x19		CapThresh6	0xA0	0x39	BuzzerFreqPhase2	0x20
0x1A		CapThresh7	0xA0	0x3A	Reserved	0x00
0x1B		CapThresh8	0xA0	0x3B	Reserved	0x00
0x1C		CapThresh9	0xA0	0x3C	Reserved	0x00
0x1D	CapThresh10	0xA0	0x3D	Reserved	0x00	
0x1E	CapThresh11	0xA0	0x3E	Reserved	0x00	
0x1F	CapPerComp	0x00	0x3F	Reserved	0x00	

*Table 9 SPM address map: 0x00...0x3F*

**Note**

- '0xxx': write protected data

**ADVANCED COMMUNICATIONS & SENSING**

Address	Name	Default/QSM value
0x40	Reserved	0x00
0x41	Reserved	0x00
0x42	Reserved	0x00
0x43	GpioMode7_4	0x00
0x44	GpioMode3_0	0x00
0x45	GpioIntensityOn0	0xFF
0x46	GpioIntensityOn1	0xFF
0x47	GpioIntensityOn2	0xFF
0x48	GpioIntensityOn3	0xFF
0x49	GpioIntensityOn4	0xFF
0x4A	GpioIntensityOn5	0xFF
0x4B	GpioIntensityOn6	0xFF
0x4C	GpioIntensityOn7	0xFF
0x4D	GpioIntensityOff0	0x00
0x4E	GpioIntensityOff1	0x00
0x4F	GpioIntensityOff2	0x00
0x50	GpioIntensityOff3	0x00
0x51	GpioIntensityOff4	0x00
0x52	GpioIntensityOff5	0x00
0x53	GpioIntensityOff6	0x00
0x54	GpioIntensityOff7	0x00
0x55	Reserved	0xFF
0x56	GpioOutPwrUp	0x00
0x57	GpioAutoLight	0xFF
0x58	GpoPolarity	0x7F
0x59	GpioFunction	0x00
0x5A	GpioIncFactor	0x00
0x5B	GpioDecFactor	0x00
0x5C	GpioIncTime7_6	0x00
0x5D	GpioIncTime5_4	0x00
0x5E	GpioIncTime3_2	0x00
0x5F	GpioIncTime1_0	0x00

GPIOs

Address	Name	Default/QSM value
0x60	GpioDecTime7_6	0x44
0x61	GpioDecTime5_4	0x44
0x62	GpioDecTime3_2	0x44
0x63	GpioDecTime1_0	0x44
0x64	GpioOffDelay7_6	0x00
0x65	GpioOffDelay5_4	0x00
0x66	GpioOffDelay3_2	0x00
0x67	GpioOffDelay1_0	0x00
0x68	Reserved	0x00
0x69	Reserved	0x00
0x6A	Reserved	0x00
0x6B	Reserved	0x00
0x6C	Reserved	0x00
0x6D	GpioFadingMode7_4	0x00
0x6E	GpioFadingMode3_0	0x00
0x6F	Reserved	0x50
0x70	Reserved	0x74
0x71	Reserved	0x10
0x72	Reserved	0x45
0x73	Reserved	0x02
0x74	Reserved	0xFF
0x75	Reserved	0xFF
0x76	Reserved	0xFF
0x77	Reserved	0xD5
0x78	Reserved	0x55
0x79	Reserved	0x55
0x7A	Reserved	0x7F
0x7B	Reserved	0x23
0x7C	Reserved	0x22
0x7D	Reserved	0x41
0x7E	Reserved	0xFF
0x7F	SpmCrc <sup>1</sup>	0xXX

GPIOs

Table 10 SPM address map: 0x40...0x7F

 Note<sup>1</sup>

- SpmCrc: CRC depending on SPM content, updated in Active or Doze mode.

**ADVANCED COMMUNICATIONS & SENSING**
**5.2 General Parameters**

General Parameters			
Address	Name	Bits	Description
0x04	I2CAddress	7	Reserved (0)
		6:0	Defines the I2C address. The I2C address will be active after a reset.  Default: 0x2B
0x05	ActiveScanPeriod	7:0	Defines Active Mode Scan Period (Figure 6). 0x00: Reserved 0x01: 15ms 0x02: 30ms (default) ... 0xFF: 255 x 15ms
0x06	DozeScanPeriod	7:0	Defines Doze Mode Scan Period (Figure 6). 0x00: Reserved 0x01: 15ms ... 0x0D: 195ms (default) ... 0xFF: 255 x 15ms
0x07	PassiveTimer	7:0	Defines Passive Timer on Button Information (Figure 7). 0x00: OFF (default) 0x01: 1 second ... 0xFF: 255 seconds
0x08	Reserved	7:0	Reserved (0x00)

*Table 11 General Parameters*

## ADVANCED COMMUNICATIONS & SENSING

### 5.3 Capacitive Sensors Parameters

Capacitive Sensors Parameters			
Address	Name	Bits	Description
0x09	CapModeMisc	7:5	Reserved (000)
		4:3	CapSenseProtect: 00: OFF (default) 01: ON. GPIOs activity is disabled during CAP11 sensing. 10: ON. GPIOs activity is disabled during CAP10-11 sensing. 11: ON. GPIOs activity is disabled during CAP0-11 sensing (i.e. all CAPx).
		2:0	IndividualSensitivity Defines common sensitivity for all sensors or individual sensor sensitivity. 000: Common sensitivity settings (CapSensitivity0_1[7:4]) (default) 100: Individual sensitivity settings (CapSensitivityx_x) Else : Reserved
0x0A	Reserved	7:0	Reserved (0x55)
0x0B	Reserved	7:0	Reserved (0x55)
0x0C	Reserved	7:0	Reserved (0x55)
0x0D	CapSensitivity0_1	7:4	CAP0 Sensitivity - Common Sensitivity
		3:0	CAP1 Sensitivity
0x0E	CapSensitivity2_3	7:4	CAP2 Sensitivity
		3:0	CAP3 Sensitivity
0x0F	CapSensitivity4_5	7:4	CAP4 Sensitivity
		3:0	CAP5 Sensitivity
0x10	CapSensitivity6_7	7:4	CAP6 Sensitivity
		3:0	CAP7 Sensitivity
0x11	CapSensitivity8_9	7:4	CAP8 Sensitivity
		3:0	CAP9 Sensitivity
0x12	CapSensitivity10_11	7:4	CAP10 Sensitivity
		3:0	CAP11 Sensitivity
0x13	CapThresh0	7:0	CAP0 Touch Threshold
0x14	CapThresh1	7:0	CAP1 Touch Threshold
0x15	CapThresh2	7:0	CAP2 Touch Threshold
0x16	CapThresh3	7:0	CAP3 Touch Threshold
0x17	CapThresh4	7:0	CAP4 Touch Threshold
0x18	CapThresh5	7:0	CAP5 Touch Threshold
0x19	CapThresh6	7:0	CAP6 Touch Threshold
0x1A	CapThresh7	7:0	CAP7 Touch Threshold
0x1B	CapThresh8	7:0	CAP8 Touch Threshold
0x1C	CapThresh9	7:0	CAP9 Touch Threshold
0x1D	CapThresh10	7:0	CAP10 Touch Threshold
0x1E	CapThresh11	7:0	CAP11 Touch Threshold
0x1F	CapPerComp	7:4	Reserved (0000)



## ADVANCED COMMUNICATIONS & SENSING

Capacitive Sensors Parameters			
Address	Name	Bits	Description
		3:0	Periodic Offset Compensation  Defines the periodic offset compensation. 0x0: OFF (default) 0x1: 1 second 0x2: 2 seconds ... 0x7: 7 seconds 0x8: 16 seconds 0x9: 18 seconds ... 0xE: 28 seconds 0xF: 60 seconds

*Table 12 Capacitive Sensors Parameters*

### CapSenseProtect

If needed, ASI activity can be protected against LED interference by automatically disabling GPIOs during sensing periods. At the end of the sensing activity, GPIOs activity resume normally.

### CapModeMisc

By default the ASI uses common sensitivity for all capacitive sensors in the case overlay material and sensors sizes are about equal. The register bits CapSensitivity0\_1[7:4] determine the sensitivity for all sensors in common sensitivity mode.

The ASI can use an individual sensitivity for each CAP pin. The individual sensitivity mode results in longer sensing periods than required in common sensitivity mode.

CapSensitivity0\_1, CapSensitivity2\_3, CapSensitivity4\_5, CapSensitivity6\_7, CapSensitivity8\_9,  
 CapSensitivity10\_11

The sensitivity of the sensors can be set between 8 values. The higher the sensitivity is set the larger the value of the ticks will be.

The minimum sensitivity can be used for thin overlay materials and large sensors, while the maximum sensitivity is required for thicker overlay and smaller sensors.

The required sensitivity needs to be determined during a product development phase. Too low sensitivity settings result in missing touches. Too high sensitivity settings will result in fault detection of fingers hovering above the touch sensors.

The sensitivity is identical for all sensors in common sensitivity mode using the bits CapSensitivity0\_1[7:4] and can be set individually using register CapModeMisc[2:0].

CapThresh0, CapThresh1, CapThresh2, CapThresh3, CapThresh4, CapThresh5, CapThresh6, CapThresh7,  
 CapThresh8, CapThresh9, CapThresh10, CapThresh11:

For each CAP pin a threshold level can be set individually.

The threshold levels are used by the SX8663 for making touch and release decisions.

The details are explained in the sections for buttons.

### CapPerComp

The SX8663 offers a periodic offset compensation for applications which are subject to substantial environmental changes. The periodic offset compensation is done at a defined interval and only if buttons are released.

**ADVANCED COMMUNICATIONS & SENSING**
**5.4 Buttons (MK and PK) Parameters**

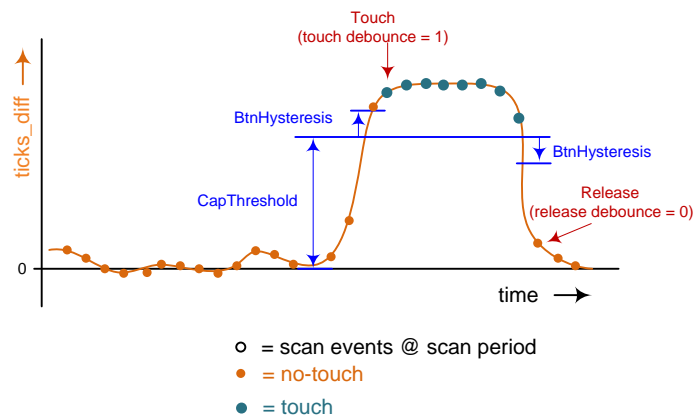
Buttons Parameters			
Address	Name	Bits	Description
0x22	BtnCfg	7	Reporting scheme: 0: report both MK and PK touches (multi MK touch is never allowed/reported) (default) 1: report first/single MK or PK touch (ignore next touch until release of the first one)
		6	Priority key (PK): 0: OFF (default) 1: ON (CAP10 if proximity is enabled, else CAP11)
		5:4	Button events to be reported on NIRQ. 00 : None 01 : Touch 10 : Release 11 : Both (default)
		3:2	Defines the number of samples at the scan period for determining a release of a button. 00 : no debounce, use incoming sample (default) 01 : 2 samples debounce 10 : 3 samples debounce 11 : 4 samples debounce
		1:0	Defines the number of samples at the scan period for determining a touch of a button. 00 : no debounce, use incoming sample (default) 01 : 2 samples debounce 10 : 3 samples debounce 11 : 4 samples debounce
0x23	BtnAvgThresh	7:0	Defines the positive threshold for disabling the processing filter averaging. If ticks are above the threshold, then the averaging is suspended. 0x00: 0 0x01: 4 ... 0x50: 320 (default) ... 0xFF: 1020
0x24	BtnCompNegThresh	7:0	Defines the negative offset compensation threshold. 0x00: 0 0x01: 4 ... 0xA0: 640 (default) ... 0xFF: 1020
0x25	BtnCompNegCntMax	7:0	Defines the number of ticks (below the negative offset compensation threshold) which will initiate an offset compensation. 0x00: reserved 0x01: 1 sample (default) ... 0xFF: 255 samples
0x26	BtnHysteresis	7:0	Defines the button hysteresis corresponding to a percentage of the CAP thresholds (defined in Table 12). All buttons use the same hysteresis. 0x00: 0% 0x01: 1% ... 0x0A: 10% (default) ...

**ADVANCED COMMUNICATIONS & SENSING**

Buttons Parameters			
Address	Name	Bits	Description
			0x64: 100%
0x27	BtnStuckAtTimeout	7:0	Defines the stuck at timeout for buttons. 0x00: OFF (default) 0x01: 1 second ... 0xFF: 255 seconds

*Table 13 Button Parameters*

A reliable button operation requires a coherent setting of the registers. Figure 45 shows an example of a touch and a release. The ticks will vary slightly around the zero idle state. When the touch occurs the ticks will rise sharply. At the release of the button the ticks will go down rapidly and converge to the idle zero value.


*Figure 45 Touch and Release Example*

As soon as the ticks become larger than the CAP thresholds (see registers of the previous section) plus the hysteresis (defined in register BtnHysteresis) the debounce counter starts. In the example of Figure 45 the touch is validated after 2 ticks (BtnCfg [2:0] = 1). The release is detected immediately (BtnCfg [3] = 0) at the first tick which is below the threshold minus the hysteresis.

**BtnCfg**

The user can select to have the interrupt signal (INTB) on touching a button, releasing a button or both.

In noisy environments it may be required to debounce the touch and release detection decision. In case the debounce is enabled the SX8663 will count up to the number of debounce samples BtnCfg [1:0], BtnCfg [3:2] before taking a touch or release decision. The sample period is identical to the scan period.

**BtnAvgPosThresh**

Small environmental and system noise cause the ticks to vary slowly around the zero idle mode value. In case the ticks get slightly positive this is considered as normal operation. Very large positive tick values indicate a valid touch. The averaging filter is disabled as soon as the average reaches the value defined by

**ADVANCED COMMUNICATIONS & SENSING**

BtnAvgPosThresh. This mechanism avoids that a valid touch will be averaged and finally the tick difference becomes zero.

In case three or more sensors reach the BtnAvgPosThresh value simultaneously then the SX8663 will start an offset compensation procedure.

Small environmental and system noise cause the ticks to vary slowly around the zero idle mode value. In case the ticks get slightly negative this is considered as normal operation. However large negative values will trigger an offset compensation phase and a new set of DCVs will be obtained. The decision to trigger a compensation phase based on negative ticks is determined by the value in the register BtnCompNegThresh and by the number of ticks below the negative thresholds defined in register BtnCompNegCntMax. An example is shown in Figure 46.

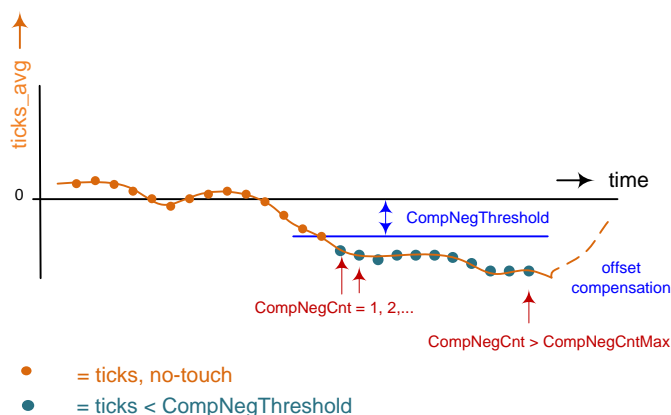


Figure 46 Negative Ticks Offset Compensation Trigger

**BtnCompNegThresh**

Small negative ticks are considered as normal operation and will occur very often. Larger negative ticks however need to be avoided and a convenient method is to trigger an offset compensation phase. The new set of DCV will assure the idle ticks will be close to zero again. A trade-off has to be found for the value of this register. A negative threshold too close to zero will trigger a compensation phase very often. A very negative threshold will never trigger.

**BtnCompNegCntMax**

As soon as the ticks get smaller than the Negative Threshold the Negative Counter starts to count. If the counter goes beyond the Negative Counter Max then the offset compensation phase is triggered. The recommended value for this register is '1' which means that the offset compensation starts on the first tick below the negative threshold.

**BtnHysteresis**

The hysteresis percentage is identical for all buttons.  
 A touch is detected if the ticks are getting larger as the value defined by:  
 $\text{CapThreshold} + \text{CapThreshold} * \text{hysteresis}$ .

A release is detected if the ticks are getting smaller as the value defined by:  
 $\text{CapThreshold} - \text{CapThreshold} * \text{hysteresis}$ .

**BtnStuckAtTimeout**

The stuckat timer can avoid sticky buttons. If the stuckat timer is set to one second then the touch of a finger will last only for one second and then a compensation will be performed and button hence considered released, even if the finger remains on the button for a longer time. After the actual finger release the button can be touched again and will be reported as usual. In case the stuckat timer is not required it can be set to zero.

**ADVANCED COMMUNICATIONS & SENSING**
**5.5 Proximity (PS) Parameters**

Proximity Parameters			
Address	Name	Bits	Description
0x2B	Reserved	7:0	Reserved (0x00)
0x2C	ProxCfg	7	Proximity enable: 0: OFF (PK=CAP11 if enabled) (default) 1: ON (PS = CAP11; PK =CAP10 if enabled)
		6:5	Prox events to be reported on NIRQ: 00 : None 01 : Close (same as touch for buttons) 10 : Far (same as release for buttons) 11 : Both (default)
		4:2	Defines the MK LEDs intensity during proximity "close" : 000: OFF, proximity status reported on GPIO7 (if set as GPO + Autoligh ON) 001: 3% 010: 5% 011: 8% 100: 10% 101: 12% 110 : 14% 111: 16% (default)
		1	Reserved
		0	Defines the Prox LED (GPIO7) status when a button (MK or PK) is touched: 0: OFF 1: ON (default)
0x2D	ProxDebounce	7:4	Defines the delay between proximity "far" and start of fading out of MK LEDs (single fading) 0x0: instantaneous (default) 0x1: 200 ms 0x2: 400 ms 0x3: 600ms ... 0xA: 2s 0xB: 4s 0xC: 6s 0xD: 8s 0xE: 10s 0xF: 12s
		3:2	Defines the number of samples at the scan period for determining proximity "far" status. 00 : no debounce, use incoming sample (default) 01 : 2 samples debounce 10 : 3 samples debounce 11 : 4 samples debounce
		1:0	Defines the number of samples at the scan period for determining proximity "close" status. 00 : no debounce, use incoming sample (default) 01 : 2 samples debounce 10 : 3 samples debounce 11 : 4 samples debounce
0x2E	ProxHysteresis	7:0	Defines the proximity hysteresis corresponding to a percentage of the CAP thresholds (defined in Table 12). 0x00: 0% 0x01: 1% ... 0x0A: 10% (default) ...

## ADVANCED COMMUNICATIONS & SENSING

Proximity Parameters			
Address	Name	Bits	Description
			0x64: 100%
0x2F	Reserved	7:0	Reserved (0x00)
0x30	Reserved	7:0	Reserved (0x64)
0x31	Reserved	7:0	Reserved (0x34)
0x32	ProxAvgThresh	7:0	Defines the positive threshold for disabling the processing filter averaging. If ticks are above the threshold, then the averaging is suspended. 0x00: 0 0x01: 4 ... 0x50: 320 (default) ... 0xFF: 1020
0x33	ProxCompNegThresh	7:0	Defines the negative offset compensation threshold for proximity. 0x00: 0 0x01: 4 ... 0xA0: 640 (default) ... 0xFF: 1020
0x34	ProxCompNegCntMax	7:0	Defines the number of ticks (below the negative offset compensation threshold) which will initiate an offset compensation. 0x00: reserved 0x01: 1 sample (default) ... 0xFF: 255 samples
0x35	ProxStuckAtTimeout	7:0	Defines the stuck at timeout for proximity. 0x00: OFF (default) 0x01: 1 second ... 0xFF: 255 seconds
0x36	Reserved	7:0	Reserved (0x00)

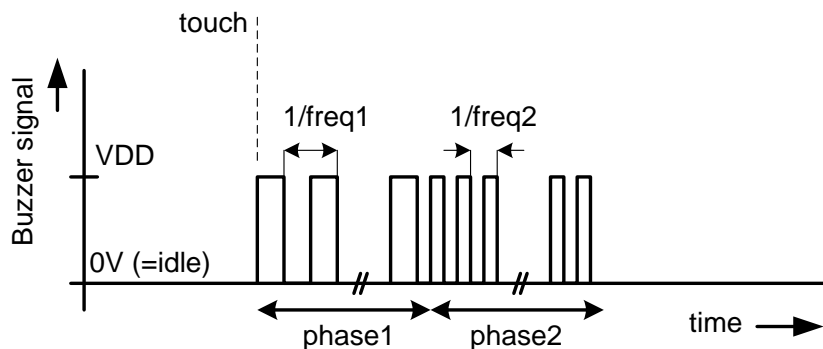
## ADVANCED COMMUNICATIONS & SENSING

### 5.6 Buzzer Parameters

Buzzer Parameters			
Address	Name	Bits	Description
0x37	BuzzerCfg	7:6	Defines the phase 1 duration. 0x00: ~ 5ms 0x01: ~ 10ms 0x02: ~ 15ms (default) 0x03: ~ 30ms
		5:4	Defines the phase 2 duration. 0x00: ~ 5ms 0x01: ~ 10ms 0x02: ~ 15ms (default) 0x03: ~ 30ms
		3	Defines the buzzer idle level (BuzzerLevelIdle). 0x0: min level (0V), (default) 0x1: max level (VDD)
		2:0	Defines the buzzer pwm prescaler value. Default: 0x04
0x38	BuzzerFreqPhase1	7:0	Defines the frequency for the first phase of the buzzer. $freq \approx 4MHz / (2^{prescaler} * BuzzerFreqPhase1)$ Default: 0x40 (4KHz)
0x39	BuzzerFreqPhase2	7:0	Defines the frequency for the second phase of the buzzer. $freq \approx 4MHz / (2^{prescaler} * BuzzerFreqPhase2)$ Default: 0x20 (8KHz)
0x3A	Reserved	7:0	Reserved (0x00)

*Table 14 Buzzer Parameters*

The SX8663 has the ability to drive a buzzer (on GPIO7) to provide an audible indication that a button has been touched. The buzzer is driven by a square signal for approximately 30ms (default). During the first phase (15ms) the signal's frequency is default 4KHz while in the second phase (15ms) the signal's frequency default is 8KHz. The buzzer is activated only once during any button touch and is not repeated for long touches. The user can choose to enable or disable the buzzer by configuration and define the idle level, frequencies and phase durations.



*Figure 47 Buzzer behavior*

## ADVANCED COMMUNICATIONS & SENSING

### 5.7 GPIO Parameters

GPIO Parameters					
Address	Name	Bits	Description		
0x43	GpioMode7_4	7:6	GPIO[7] Mode	Defines the GPIO mode. 00: GPO 01: Reserved 10: Reserved 11: SPO: Buzzer for GPIO[7], Reserved for GPIO[6..0]	Default GPO
		5:4	GPIO[6] Mode		Default GPO
		3:2	GPIO[5] Mode		Default GPO
		1:0	GPIO[4] Mode		Default GPO
0x44	GpioMode3_0	7:6	GPIO[3] Mode		Default GPO
		5:4	GPIO[2] Mode		Default GPO
		3:2	GPIO[1] Mode		Default GPO
		1:0	GPIO[0] Mode		Default GPO
0x45	GpioIntensityOn0	7:0	Defines the ON intensity index. 0x00: 0 0x01: 1 ... 0xFF: 255 (default)		
0x46	GpioIntensityOn1	7:0			
0x47	GpioIntensityOn2	7:0			
0x48	GpioIntensityOn3	7:0			
0x49	GpioIntensityOn4	7:0			
0x4A	GpioIntensityOn5	7:0			
0x4B	GpioIntensityOn6	7:0			
0x4C	GpioIntensityOn7	7:0			
0x4D	GpioIntensityOff0	7:0	Defines the OFF intensity index. 0x00: 0 (default) 0x01: 1 ... 0xFF: 255		
0x4E	GpioIntensityOff1	7:0			
0x4F	GpioIntensityOff2	7:0			
0x50	GpioIntensityOff3	7:0			
0x51	GpioIntensityOff4	7:0			
0x52	GpioIntensityOff5	7:0			
0x53	GpioIntensityOff6	7:0			
0x54	GpioIntensityOff7	7:0			
0x56	GpioOutPwrUp	7:0	Defines the values of GPO pins after power up i.e. default values of I2C parameters GpoCtrl. Bits corresponding to GPO pins with Autolight ON should be left to 0. Before being actually initialized GPIOs are shortly set as inputs with pull up. 0: OFF(default) 1: ON		
0x57	GpioAutoLight	7:0	Enables Autolight in GPO mode. 0: OFF 1: ON (default). GPIO0-5 = MK(TSM); GPIO6 = MK(TSM) or PK if enabled; GPIO7 = PS if enabled and ProxCfg[4:2]=000		
0x58	GpioPolarity	7:0	Defines the polarity of the GPO pins. SPO pins require Normal Polarity. 0: Inverted 1: Normal  Default : 0x7F		
0x59	GpioFunction	7:0	Defines the intensity index vs PWM pulse width function.		



## ADVANCED COMMUNICATIONS & SENSING

GPIO Parameters			
Address	Name	Bits	Description
			0: Logarithmic (default) 1: Linear
0x5A	GpioIncFactor	7:0	Defines the fading increment factor. 0: intensity index incremented every increment time (default) 1: intensity index incremented every 16 increment times
0x5B	GpioDecFactor	7:0	Defines the fading decrement factor. 0: intensity index decremented every decrement time (default) 1: intensity index decremented every 16 decrement times
0x5C	GpioIncTime7_6	7:4	Defines the fading increment time. 0x0: OFF (default) 0x1: 0.5ms 0x2: 1ms ... 0xF: 7.5ms  The total fading in time will be: $GpioIncTime * GpioIncFactor * (GpioIntensityOn - GpioIntensityOff)$
		3:0	
0x5D	GpioIncTime5_4	7:4	
		3:0	
0x5E	GpioIncTime3_2	7:4	
		3:0	
0x5F	GpioIncTime1_0	7:4	
		3:0	
0x60	GpioDecTime7_6	7:4	Defines the fading decrement time. 0x0: OFF 0x1: 0.5ms 0x2: 1ms ... 0x4: 2.0ms (default) ... 0xF: 7.5ms  The total fading out time will be: $GpioDecTime * GpioDecFactor * (GpioIntensityOn - GpioIntensityOff)$
		3:0	
0x61	GpioDecTime5_4	7:4	
		3:0	
0x62	GpioDecTime3_2	7:4	
		3:0	
0x63	GpioDecTime1_0	7:4	
		3:0	
0x64	GpioOffDelay7_6	7:4	Defines the delay between release and start of fading out (single fading) 0x0: instantaneous (default) 0x1: 200 ms 0x2: 400 ms 0x3: 600ms ... 0xA: 2s 0xB: 4s ... 0xF: 12s
		3:0	
0x65	GpioOffDelay5_4	7:4	
		3:0	
0x66	GpioOffDelay3_2	7:4	
		3:0	
0x67	GpioOffDelay1_0	7:4	
		3:0	
0x68	Reserved	7:0	Reserved (0x00)
0x69	Reserved	7:0	Reserved (0x00)
0x6A	Reserved	7:0	Reserved (0x00)
0x6B	Reserved	7:0	Reserved (0x00)
0x6C	Reserved	7:0	Reserved (0x00)
0x6D	GpioFadingMode7_4	7:6	Defines the Fading mode for GPO[7:0].  00: Single (default)
		5:4	
		3:2	

## ADVANCED COMMUNICATIONS & SENSING

GPIO Parameters				
Address	Name	Bits	Description	
		1:0	Fading mode for GPIO[4]	01: Continuous 10: Reserved 11: Reserved  The fading modes are expected to be defined at power up by the QSM or NVM. In case the fading modes need to be changed after power up this can be done when the GPOs are all OFF.
0x6E	GpioFadingMode3_0	7:6	Fading mode for GPIO[3]	
		5:4	Fading mode for GPIO[2]	
		3:2	Fading mode for GPIO[1]	
		1:0	Fading mode for GPIO[0]	

Table 15 resumes the applicable SPM and I2C parameters for each GPIO mode.

		GPO Autolight OFF	GPO Autolight ON	SPO (Buzzer – GPIO7 only)
<b>SPM</b>	GpioMode	X	X	X
	GpioOutPwrUp	X <sup>1</sup>	OFF	OFF
	GpioAutolight	OFF	ON	ON
	GpioPolarity	X	TSM->Normal else X	Normal
	GpioIntensityOn	X	X	
	GpioIntensityOff	X	TSM->0% else X	
	GpioFunction	X	X	Linear
	GpioIncFactor	X	X	
	GpioDecFactor	X	X	
	GpioIncTime	X	X	
	GpioDecTime	X	X	
GpioOffDelay	X	X		
GpioFadingMode	X	X		
<b>I2C</b>	GpoCtrl	X		

<sup>1</sup> GpioOutPwrUp must be set to OFF in Continuous Fading Mode  
 Grey = not applicable, with or without required setting

*Table 15 Applicable (X) SPM/I2C Parameters vs. GPIO Mode*

## ADVANCED COMMUNICATIONS & SENSING

### 6 I2C INTERFACE

The I2C implemented on the SX8663 is compliant with:

- standard (100kb/s), fast mode (400kb/s)
- slave mode
- 7 bit address (default 0x2B). The default address can be changed in the NVM at address 0x04.

The host can use the I2C to read and write data at any time. The effective changes will be applied at the next processing phase (section 3.2).

Three types of registers are considered:

- status (read). These registers give information about the status of the capacitive buttons, GPIOs, operation modes etc...
- control (read/write). These registers control the soft reset, operating modes, GPIOs and offset compensation.
- SPM gateway (read/write). These registers are used for the communication between host and the SPM. The SPM gateway communication is done typically at power up and is not supposed to be changed when the application is running. The SPM needs to be re-stored each time the SX8663 is powered down. The SPM can be stored permanently in the NVM memory of the SX8663. The SPM gateway communication over the I2C at power up is then not required.

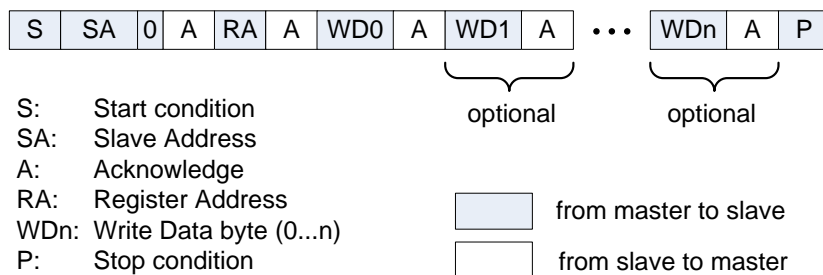
The I2C will be able to read and write from a start address and then perform read or writes sequentially, and the address increments automatically.

The supported I2C access formats are described in the next sections.

#### 6.1 I2C Write

The format of the I2C write is given in Figure 48.

After the start condition [S], the slave address (SA) is sent, followed by an eighth bit ('0') indicating a Write. The SX8663 then acknowledges [A] that it is being addressed, and the master sends an 8 bit Data Byte consisting of the SX8663 Register Address (RA). The slave acknowledges [A] and the master sends the appropriate 8 bit Data Byte (WD0). Again the slave acknowledges [A]. In case the master needs to write more data, a succeeding 8 bit Data Byte will follow (WD1), acknowledged by the slave [A]. This sequence will be repeated until the master terminates the transfer with the Stop condition [P].



*Figure 48 I2C write*

The register address is incremented automatically when successive register data (WD1...WDn) is supplied by the master.

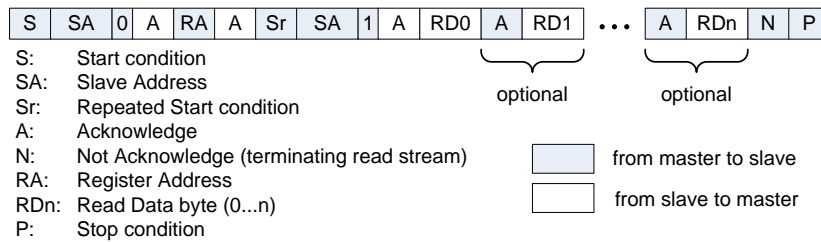
## ADVANCED COMMUNICATIONS & SENSING

### 6.2 I2C read

The format of the I2C read is given in Figure 49.

After the start condition [S], the slave address (SA) is sent, followed by an eighth bit ('0') indicating a Write. The SX8663 then acknowledges [A] that it is being addressed, and the master responds with an 8 bit data consisting of the Register Address (RA). The slave acknowledges [A] and the master sends the Repeated Start Condition [Sr]. Once again, the slave address (SA) is sent, followed by an eighth bit ('1') indicating a Read.

The SX8663 responds with acknowledge [A] and the Read Data byte (RD0). If the master needs to read more data it will acknowledge [A] and the SX8663 will send the next read byte (RD1). This sequence can be repeated until the master terminates with a NACK [N] followed by a stop [P].



*Figure 49 I2C read*

**ADVANCED COMMUNICATIONS & SENSING**
**6.3 I2C Registers Overview**

Address	Name	R/W	Description
0x00	IrqSrc	read	Interrupt Source
0x01	CapStatKeys	read	Cap Status
0x02	Reserved		
0x03	Reserved		
0x04	Reserved		
0x05	Reserved		
0x06	Reserved		
0x07	Reserved		
0x08	SpmStat	read	SPM Status
0x09	CompOpMode	read/write	Compensation and Operating Mode
0x0A	GpoCtrl		
0x0B	Reserved		
0x0C	Reserved		
0x0D	SpmCfg	read/write	SPM Configuration
0x0E	SpmBaseAddr	read/write	SPM Base Address
0x0F	Reserved		
0xAC	SpmKeyMsb	read/write	SPM Key MSB
0xAD	SpmKeyLsb	read/write	SPM Key LSB
0xB1	SoftReset	read/write	Software Reset

*Table 16 I2C Registers Overview*

**ADVANCED COMMUNICATIONS & SENSING**
**6.4 Status Registers**

Address	Name	Bits	Description
0x00	IrqSrc	7	Reserved
		6	NVM burn interrupt flag
		5	SPM write interrupt flag
		4	Reserved
		3	Reserved
		2	Sensors interrupt flag
		1	Compensation interrupt flag
		0	Operating Mode interrupt flag

*Table 17 Interrupt Source*

The delay between the actual event and the flags indicating the interrupt source may be one scan period.

IrqSrc[6] is set once NVM burn procedure is completed.

IrqSrc[5] is set once SPM write is effective.

IrqSrc[2] is set if a sensor event occurred (touch/close or release/far if enabled). CapStatKeys show the detailed status of the sensors.

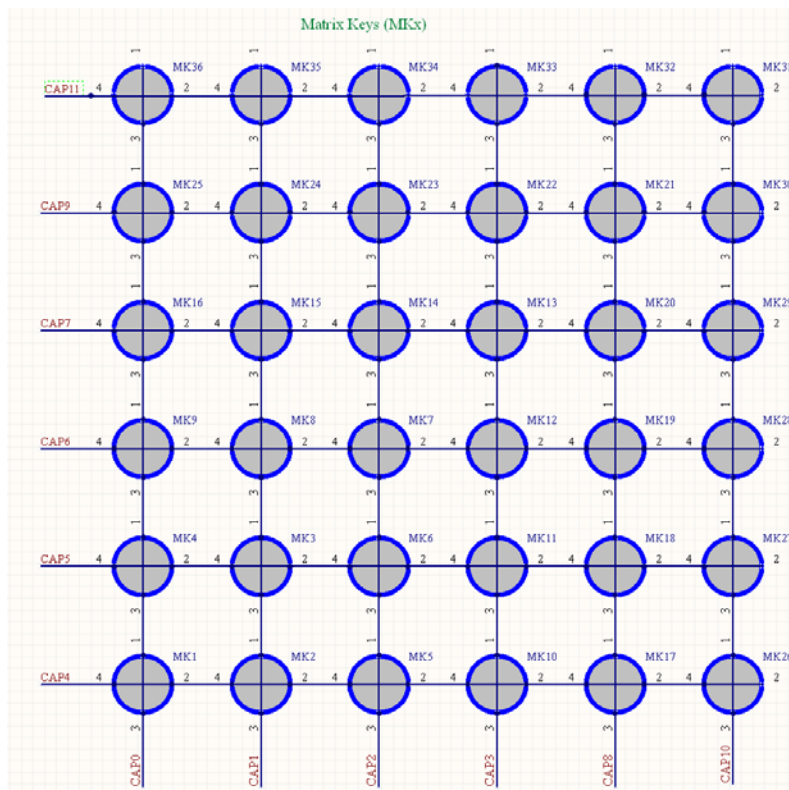
IrqSrc[1] is set once compensation procedure is completed either through automatic trigger or via host request.

IrqSrc[0] is set when actually entering Active or Doze mode via host request. CompOpmode shows the current operation mode.

**ADVANCED COMMUNICATIONS & SENSING**

Address	Name	Bits	Description
0x01	CapStatKeys	7	Proximity Status 0 : Far 1 : Close
		6	Priority Key Status 0 : not touched 1 : touched
		5:0	Matrix Keys Status 0x00: no touch on matrix 0x01: key1 (MK1) is touched 0x02: key2 (MK2) is touched ... 0x24: key36 (MK36) is touched  If several matrix buttons are touched only the first one is reported. Cf figure below for MK mapping/numbering vs CAPx pins

*Table 18 I2C Cap status*



*Figure 50 Matrix Keys Mapping*

Address	Name	Bits	Description
0x08	SpmStat	7:4	reserved
		3	NvmValid Indicates if the current NVM is valid. 0: No – QSM is used 1: Yes – NVM is used

## ADVANCED COMMUNICATIONS & SENSING

Address	Name	Bits	Description
		2:0	NvmCount Indicates the number of times NVM has been burned: 0: None – QSM is used (default) 1: Once – NVM is used if NvmValid = 1, else QSM. 2: Twice – NVM is used if NvmValid = 1, else QSM. 3: Three times – NVM is used if NvmValid = 1, else QSM. 4: More than three times – QSM is used

*Table 19 I2C SPM status*

### 6.5 Control Registers

Address	Name	Bits	Description
0x09	CompOpMode	7:3	Reserved*, write only '00000'
		2	Compensation Indicates/triggers compensation procedure 0: Compensation completed (default) 1: read -> compensation running ; write -> trigger compensation
		1:0	Operating Mode Indicates/programs** operating mode 00: Active mode (default) 01: Doze mode 10: Sleep mode 11: Reserved

\* The reading of these reserved bits will return varying values.

\*\* After the operating mode change (Active/Doze) the host should wait for INTB or 300ms before performing any I2C read access.

*Table 20 I2C compensation, operation modes*

Address	Name	Bits	Description
0x0A	GpoCtrl	7:0	GpoCtrl[7:0] Triggers ON/OFF state of GPOs when Autolight is OFF 0: OFF (i.e. go to IntensityOff) 1: ON (i.e. go to IntensityOn)  Default is set by SPM parameter GpioOutPwrUp Bits of non-GPO pins are ignored.

*Table 21 I2C GPO Control*

Address	Name	Bits	Description
0xB1	SoftReset	7:0	Writing 0xDE followed by 0x00 will reset the chip.

*Table 22 I2C Soft Reset*



## ADVANCED COMMUNICATIONS & SENSING

### 6.6 SPM Gateway Registers

The SX8663 I2C interface offers two registers for exchanging the SPM data with the host.

- SpmCfg
- SpmBaseAddr

Address	Name	Bits	Description
0x0D	SpmCfg	7:6	00: Reserved
		5:4	Defines the normal operation or SPM mode 00: I2C in normal operation mode (default) 01: I2C in SPM mode 10: Reserved 11: Reserved
		3	Defines r/w direction of SPM 0: SPM write access (default) 1: SPM read access
		2:0	000: Reserved

*Table 23 SPM access configuration*

Address	Name	Bits	Description
0x0E	SpmBaseAddr	7:0	SPM Base Address (modulo 8). The lowest address is 0x00 (default) The highest address is 0x78.

*Table 24 SPM Base Address*

The exchange of data, read and write, between the host and the SPM is always done in bursts of eight bytes. The base address of each burst of eight bytes is a modulo 8 number, starting at 0x00 and ending at 0x78.

The registers SpmKeyMsb and SpmKeyLsb are required for NVM programming as described in section 6.7.

Address	Name	Bits	Description
0xAC	SpmKeyMsb	7:0	SPM to NVM burn Key MSB Unlock requires writing data: 0x62

*Table 25 SPM Key MSB at I2C register address 0xAC*

Address	Name	Bits	Description
0xAD	SpmKeyLsb	7:0	SPM to NVM burn Key LSB Unlock requires writing data: 0x9D

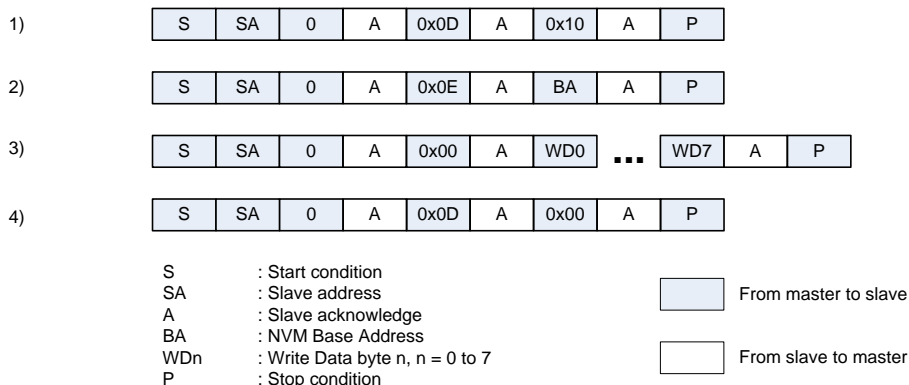
*Table 26 SPM Key LSB*

## ADVANCED COMMUNICATIONS & SENSING

### 6.6.1 SPM Write Sequence

The SPM must always be written in blocks of 8 bytes. The sequence is described below:

1. Set the I2C in SPM mode by writing "01" to SpmCfg[5:4] and SPM write access by writing '0' to SpmCfg[3].
2. Write the SPM base address to SpmBaseAddr (The base address needs to be a value modulo 8).
3. Write the eight consecutive bytes to I2C address 0, 1, 2, ...7
4. Terminate by writing "000" to SpmCfg[5:3].



*Figure 51 SPM write sequence*

The complete SPM can be written by repeating 16 times the cycles shown in Figure 51 using base addresses 0x00, 0x08, 0x10, ... 0x70, 0x78.

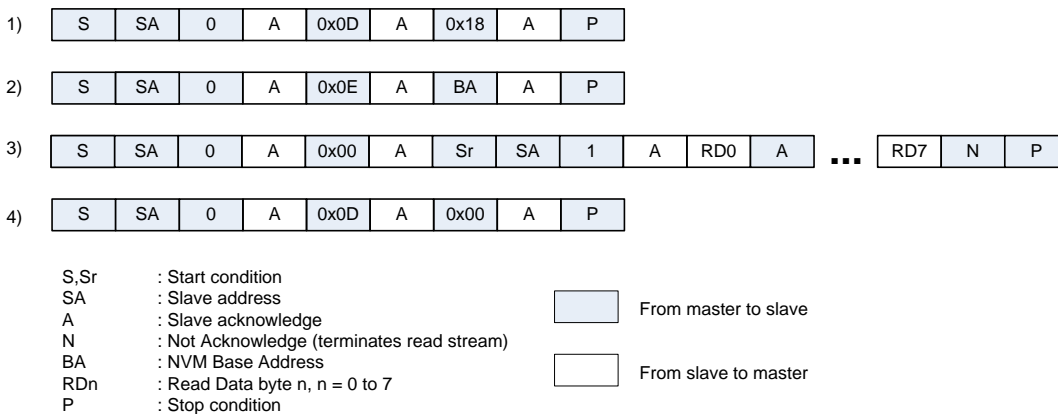
Once the SPM write sequence is actually applied, the INTB pin will be asserted. The host clears the interrupt by reading any I2C register. At the same time the bit GenStatMsb[6], indicating the SPM write is done, will be cleared.

## ADVANCED COMMUNICATIONS & SENSING

### 6.6.2 SPM Read Sequence

The SPM must always be read in blocks of 8 bytes. The sequence is described below:

1. Set the I2C in SPM mode by writing "01" to SpmCfg[5:4] and SPM read access by writing '1' to SpmCfg[3].
2. Write the SPM base address to SpmBaseAddr (The base address needs to be a value modulo 8).
3. Read the eight consecutive bytes from I2C address 0, 1, 2, ...7
4. Terminate by writing "000" to SpmCfg[5:3].



*Figure 52 SPM Read Sequence*

The complete SPM can be read by repeating 16 times the cycles shown in Figure 52 using base addresses 0x00, 0x08, 0x10, ... 0x70, 0x78.

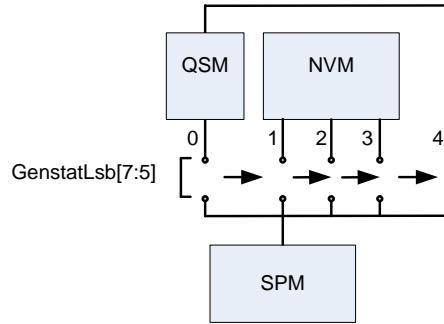
Once the SPM read sequence is actually applied, the INTB pin will be asserted. The host clears the interrupt by reading any I2C register. At the same time the bit GenStatMsb[6], indicating the SPM write is done, will be cleared.

## ADVANCED COMMUNICATIONS & SENSING

### 6.7 NVM burn

The content of the SPM can be copied permanently (burned) into the NVM to be used as the new default parameters. The burning of the NVM can be done up to three times and must be done only when the SPM is completely written with the desired data.

The number of times the NVM has been burned can be monitored by reading NvmCycle from the I2C register GenStatLsb[7:5].



*Figure 53 Simplified Diagram NvmCycle*

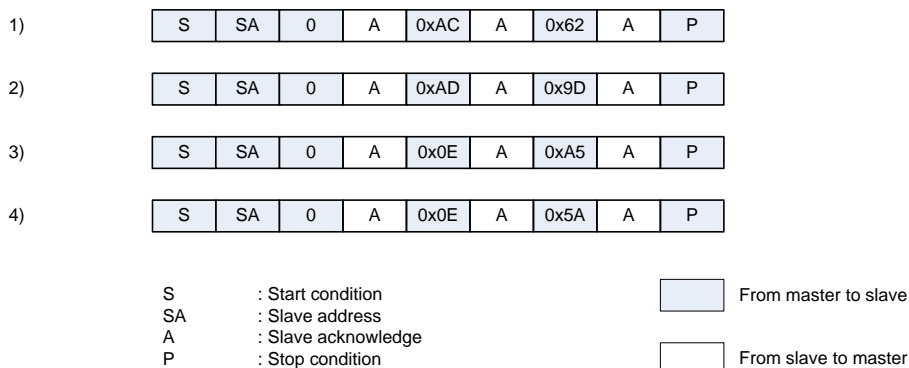
Figure 53 shows the simplified diagram of the NvmCycle counter. The SX8663 is delivered with empty NVM and NvmCycle set to zero. The SPM points to the QSM.

Each NVM burn will increase the NvmCycle. At the fourth NVM burn the SX8663 switches definitely to the QSM.

The burning of the SPM into the NVM is done by executing a special sequence of four I2C commands.

- |  |                                    |
|--|------------------------------------|
| 1. Write the data 0x62 to the I2C register I2CKeyMsb.      | Terminate the I2C write by a STOP. |
| 2. Write the data 0x9D to the I2C register I2CKeyLsb.      | Terminate the I2C write by a STOP. |
| 3. Write the data 0xA5 to the I2C register I2CSpmBaseAddr. | Terminate the I2C write by a STOP. |
| 4. Write the data 0x5A to the I2C register I2CSpmBaseAddr. | Terminate the I2C write by a STOP. |

This is illustrated in Figure 54.



*Figure 54: NVM burn procedure*

## ADVANCED COMMUNICATIONS & SENSING

### 6.8 Monitor Mode

Monitor mode allows the host to read “real-time” sensor information (CAPxRaw, CAPxAvg, CAPxDiff).

It is enabled by setting bit 2 of I2C register SpmCfg (address 0x0D).

When enabled, it uses a specific monitor scan period (Cf below) and generates an interrupt every time a new full set of data is available (hence every scan period).

Address	Name	Bits	Description
0xF9	MonitorScanPeriod	7:0	Monitor Mode Scan Period 0x00: Reserved 0x01: 15ms ... 0x0D: 195ms (default) ... 0xFF: 255 x 15ms

Monitor mode scan period is located at address 0xF9 can be written similarly as SPM data (Cf. §6.6.1 ). Interrupt is cleared normally by reading I2C register IrqSrc (address 0x00) but no specific flag is set.

CAPxRaw/Avg/Diff data can be read similarly as SPM data (Cf. § 6.6.2).

Base address BA = 0xB4 is the beginning of the CAPxDiff data location and data are organized this way:

0xB4: CAP0Diff, MSB  
 0xB5: CAP0Diff, LSB  
 0xB6: CAP1Diff, MSB  
 etc...

Values are coded 16bits signed 2's complement format and updated at each scan period.

Base address BA = 0x80 is the beginning of the CAPxRaw data location.

Base address BA = 0x9A is the beginning of the CAPxAvg data location.

Data should be read before the next interrupt occurs (i.e. within one scan period).

**ADVANCED COMMUNICATIONS & SENSING**

**7 APPLICATION INFORMATION**

A typical application schematic is shown in figure below.

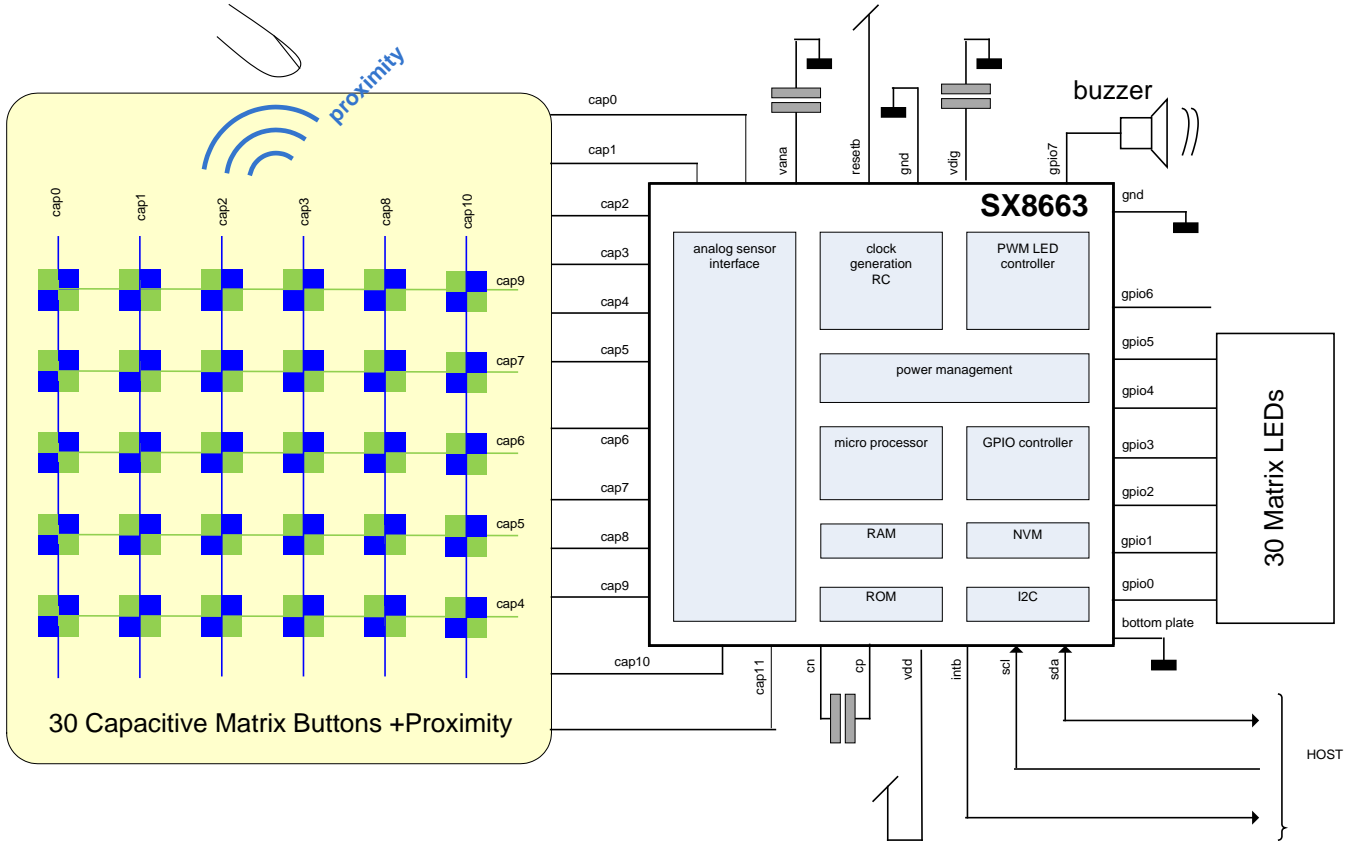


Figure 55 Typical Application

**ADVANCED COMMUNICATIONS & SENSING****8 REFERENCES**

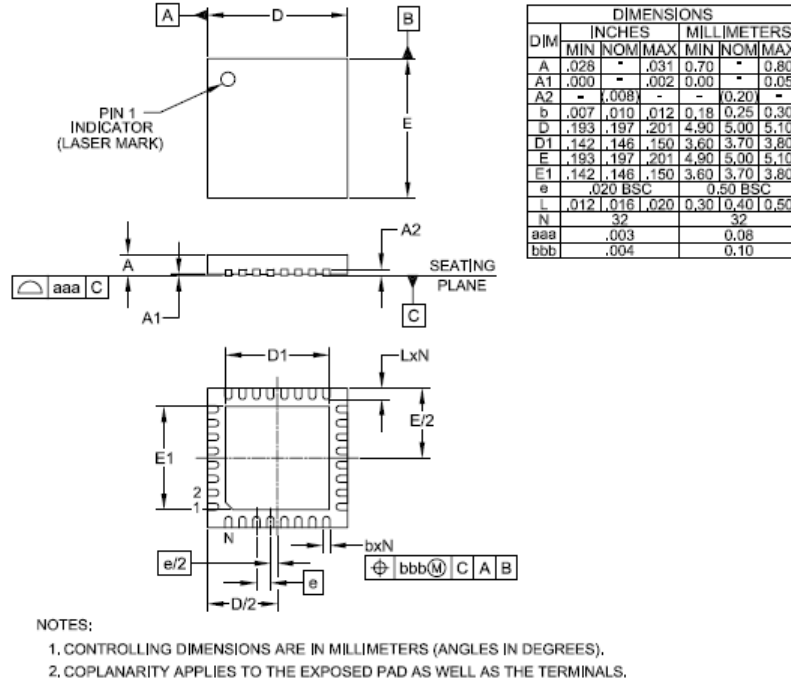
[1] Capacitive Touch Sensing Layout guidelines on [www.semtech.com](http://www.semtech.com)

**ADVANCED COMMUNICATIONS & SENSING**

**9 PACKAGING INFORMATION**

**9.1 Package Outline Drawing**

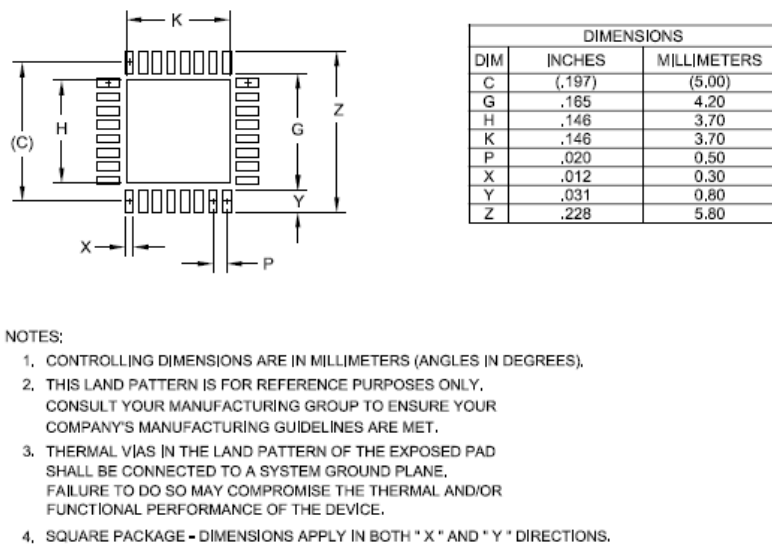
SX8663 is assembled in a MLPQ-W32 package as shown in figure below



*Figure 56 Package Outline Drawing*

**9.2 Land Pattern**

The land pattern of MLPQ-W32 package, 5 mm x 5 mm is shown in figure below.



*Figure 57 Land Pattern*



**ADVANCED COMMUNICATIONS & SENSING**

© Semtech 2011

All rights reserved. Reproduction in whole or in part is prohibited without the prior written consent of the copyright owner. The information presented in this document does not form part of any quotation or contract, is believed to be accurate and reliable and may be changed without notice. No liability will be accepted by the publisher for any consequence of its use. Publication thereof does not convey nor imply any license under patent or other industrial or intellectual property rights. Semtech assumes no responsibility or liability whatsoever for any failure or unexpected operation resulting from misuse, neglect improper installation, repair or improper handling or unusual physical or electrical stress including, but not limited to, exposure to parameters beyond the specified maximum ratings or operation outside the specified range.

SEMTECH PRODUCTS ARE NOT DESIGNED, INTENDED, AUTHORIZED OR WARRANTED TO BE SUITABLE FOR USE IN LIFE-SUPPORT APPLICATIONS, DEVICES OR SYSTEMS OR OTHER CRITICAL APPLICATIONS. INCLUSION OF SEMTECH PRODUCTS IN SUCH APPLICATIONS IS UNDERSTOOD TO BE UNDERTAKEN SOLELY AT THE CUSTOMER'S OWN RISK. Should a customer purchase or use Semtech products for any such unauthorized application, the customer shall indemnify and hold Semtech and its officers, employees, subsidiaries, affiliates, and distributors harmless against all claims, costs damages and attorney fees which could arise.

Notice: All referenced brands, product names, service names and trademarks are the property of their respective owners.

**Contact Information**

Semtech Corporation  
Advanced Communications and Sensing Products Division  
200 Flynn Road, Camarillo, CA 93012  
Phone: (805) 498-2111 Fax: (805) 498-3804