

DATA SHEET

RFX2411: 2.4 GHz Transmit / Receive Zigbee® RFEIC with Diversity Switch

Applications

- ZigBee extended range devices
- ZigBee smart power
- RF4CE remote control
- Home and industrial automation
- Custom 2.4 GHz radio systems
- Mobile and battery Zigbee systems

Features

- 2.4 GHz ZigBee high-power single-chip, single-die RF front-end IC
- Antenna diversity switch
- 2.4 GHz transmit high-power amplifier with low-pass harmonic filter
- Low-noise amplifier
- Transmit/receive switch circuitry
- High transmit signal linearity meeting standards for OQPSK modulation
- Integrated power detector for transmit power monitor and control
- Low voltage (1.2 V) CMOS control logic
- ESD protection circuitry on all ports
- DC decoupled RF ports
- Internal RF decoupling on all VDD bias pins
- Low noise figure for the receive channel
- Very low DC power consumption
- Full on-chip matching and decoupling circuitry
- Minimal external components required
- 50 Ω input/output matching
- Market-proven CMOS technology
- Small QFN (16-lead, 3.0 x 3.0 x 0.55 mm) package with exposed ground pad

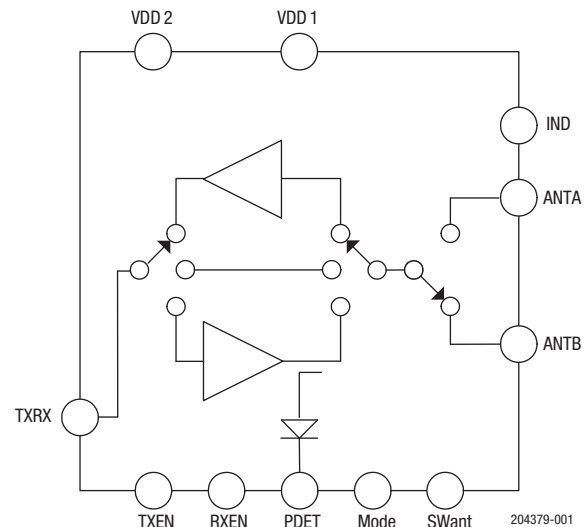


Figure 1. RFX2411 Block Diagram

Description

The RFX2411 is a fully integrated, single-chip, single-die RFEIC (RF front-end integrated circuit) which incorporates all the RF functionality needed for wireless ZigBee/smart energy applications. The RFX2411 architecture integrates the PA, LNA, transmit and receive switching circuitry, the associated matching network, a harmonic filter, and a diversity switch all in a CMOS single-chip device. It also includes a bypass mode to provide maximal level of flexibility for system implementations.

This RFEIC is designed for use in 2.4 GHz ISM band and supports the 802.15.4 and ZigBee standard. Typical high-power applications include home and industrial automation, smart power, and RF4CE, and others. Combining superior performance, high sensitivity and efficiency, low noise, small form factor, and low cost, the RFX2411 is the perfect solution for applications requiring extended range and bandwidth. The RFX2411 has simple and low-voltage CMOS control logic, and requires minimal external components for system implementation. The PA power detect circuit is also integrated.



Skyworks Green™ products are compliant with all applicable legislation and are halogen-free. For additional information, refer to *Skyworks Definition of Green™*, document number SQ04-0074.

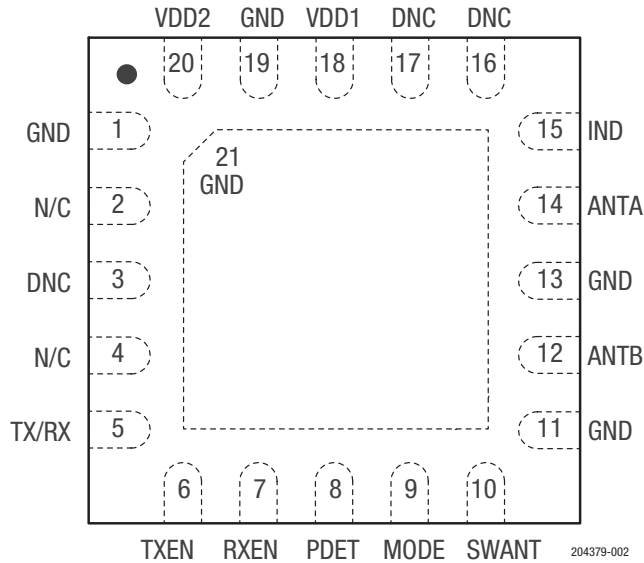


Figure 2. RFX2411 Pinout (Top View)

Table 1. RFX2411 Signal Descriptions

Pin	Name	Description	Pin	Name	Description
1, 11, 13, 19, 21	GND	Ground (must be connected to ground in the application circuit)	10	SWant	CMOS input to select antenna for diversity
2, 4	N/C	No internal connection	12	ANTB	RF signal from the PA or RF signal applied to the LNA; DC shorted to ground
5	TXRX	RF signal to/from the transceiver: DC shorted to GND	14	ANTA	RF signal from the PA or RF signal applied to the LNA; DC shorted to ground
6	TXEN	CMOS input to control TX enable	15	IND	Inductor to GND
7	RXEN	CMOS input to control RX enable	3, 16, 17	DNC	Reserved (do not connect in the application circuit)
8	PDET	Analog voltage proportional to the PA power output	18	VDD1	Voltage supply connection
9	MODE	CMOS input to control mode of operation	20	VDD2	Voltage supply connection

Electrical and Mechanical Specifications

The absolute maximum ratings of the RFX2411 are provided in Table 2. The recommended operating conditions are specified in Table 3.

The TX/RX/Bypass mode electrical specifications are provided in Table 4. The state of the RFX2411 is determined by the logic provided in Table 5.

Table 2. RFX2411 Absolute Maximum Ratings¹

Parameter	Conditions	Minimum	Maximum	Units
DC VDD voltage supply	All VDD pins	0	4.0	V
DC control pin voltage	Through 1 kΩ resistor	0	3.6	V
DC VDD current consumption	Through VDD pins when TX is ON		350	mA
TX RF input power			+5	dBm
ANT RF RX input power	LNA mode		+5	dBm
ANT RF RX input power	Bypass mode		+16	dBm
Junction temperature			+150	°C
Storage ambient temperature	No RF and DC voltages applied Appropriate care required according to JEDEC Standards	-50	+150	°C
Electrostatic discharge: Human Body Model (HBM)	ESD HBM	> 1000		V

¹ Exposure to maximum rating conditions for extended periods may reduce device reliability. There is no damage to device with only one parameter set at the limit and all other parameters set at or below their nominal value. Exceeding any of the limits listed here may result in permanent damage to the device. All maximum RF input power ratings assume 50 Ω terminal impedance.

ESD HANDLING: *Although this device is designed to be as robust as possible, electrostatic discharge (ESD) can damage this device. This device must be protected at all times from ESD when handling or transporting. Static charges may easily produce potentials of several kilovolts on the human body or equipment, which can discharge without detection. Industry-standard ESD handling precautions should be used at all times.*

Table 3. RFX2411 Recommended Operating Conditions¹

Parameter	Conditions	Minimum	Typical	Maximum	Units
DC VDD voltage supply ¹	All VDD pins	2.0	3.3	3.6	V
Control voltage high	RXEN, TXEN, and MODE pins	1.2		VDD	V
Control voltage low	RXEN, TXEN, and MODE pins	0		0.3	V
DC control pin current consumption	See note 2		1		μA
DC shutdown current			300		nA
PA turn-on/turn-off time				1	μsec
LNA turn on/turn-off time				1	μsec
Antenna switch time				1	μsec
Operating ambient temperature		-40		+125	°C
DC VDD voltage supply ¹			35		°C/W
θ _{ja}	See note 2	2.0	3.3	3.6	V

¹ For normal operation of the RFX2411, VDD must be continuously applied to all VDD supply pins.

² For operation above +85 °C, use the θ_{ja} as guidance for system design to assure the junction temperature will not exceed the maximum of +150 °C.

Table 4. RFX2411 TX/RX/Bypass Mode Electrical Characteristics (VDD = 3.3 V, TA = +25°C, Unless Otherwise Specified)

Parameter	Test Condition	Min	Typical	Max	Units
Transmit Mode					
Operating frequency band	All RF pins terminated by 50 Ω	2.4		2.5	GHz
Saturated output power			+21		dBm
Output P1dB	CW input		+19		dBm
Small signal gain	High Idq TX mode		26		dB
	Low Idq TX mode		24		dB
Second harmonic	P _{OUT} ≤ +20 dBm, CW at ANT pin		-35		dBc
Third harmonic	P _{OUT} ≤ +20 dBm, CW at ANT pin		-35		dBc
Total supply current	P _{OUT} = +20 dBm, High Idq TX mode		95		mA
	P _{OUT} = +20 dBm, Low Idq TX mode		95		mA
TX quiescent current	High Idq TX mode		18		mA
	Low Idq TX mode		15		mA
Input return loss			-15		dB
Output return loss			-7		dB
Power detector voltage	P _{OUT} = +5 dBm, 10 kΩ load		0.14		V
	P _{OUT} = +20 dBm, 10 kΩ load		0.9		V
Receive Mode					
Operating frequency band	All RF pins are loaded by 50 Ω	2.4		2.5	GHz
Gain	Low noise figure mode		14		dB
	Low current mode		10		
Noise figure	Low noise figure mode		2.5		dB
	Low current mode		3.5		
Input P _{1dB}	Low noise figure mode		-8		dBm
	Low current mode		-3		
RX quiescent current	Low noise figure mode		9		mA
RF port impedance	Low current mode		4		Ω
	At TXRX and ANT pins		50		
Input return loss	At ANT pin, low NF mode		-8		dB
	At TXRX pin, low NF mode		-12		
Bypass Mode					
Operating frequency		2.4		2.5	GHz
Insertion loss			5		dB
Input P _{1dB}	At ANTA or ANTB	>16			dBm
Current consumption	Through VDD supply pins		700		nA

Table 5. RFX2411 Control Logic¹

Mode of Operation	TXEN	RXEN	MODE	SWant
Shutdown	0	0	0	
Bypass	0	0	1	
Low Idq TX	1	X	0	
High Idq TX	1	X	1	
Low noise figure receive	0	1	0	
Low current receive	0	1	1	
ANTA port enabled				1
ANTB port enabled				0

¹ "1" denotes high voltage state (> 1.2 V)
 "0" denotes low voltage stage (< 0.3 V) at control pins
 "X" denotes do not care: floating control pins not allowed

Package Dimensions

The PCB layout footprint for the RFX2411 is shown in Figure 3. The typical part marking is shown in Figure 4. Package dimensions are shown in Figure 5. Tape and reel dimensions are provided in Figure 6.

Package and Handling Information

Instructions on the shipping container label regarding exposure to moisture after the container seal is broken must be followed. Otherwise, problems related to moisture absorption may occur when the part is subjected to high temperature during solder assembly.

The RFX2411 is rated to Moisture Sensitivity Level 1 (MSL1) at 260 °C. It can be used for lead or lead-free soldering. For additional information, refer to the Skyworks Application Note, *Solder Reflow Information*, document number 200164.

Care must be taken when attaching this product, whether it is done manually or in a production solder reflow environment. Production quantities of this product are shipped in a standard tape and reel format.

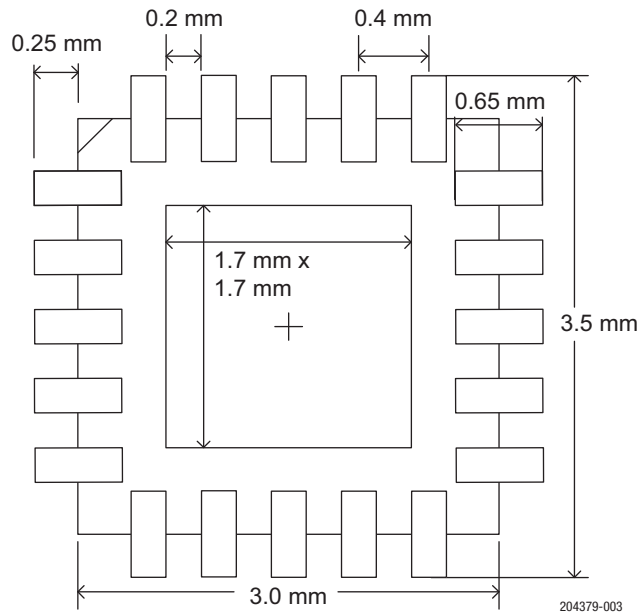


Figure 3. RFX2411 Typical Part Marking

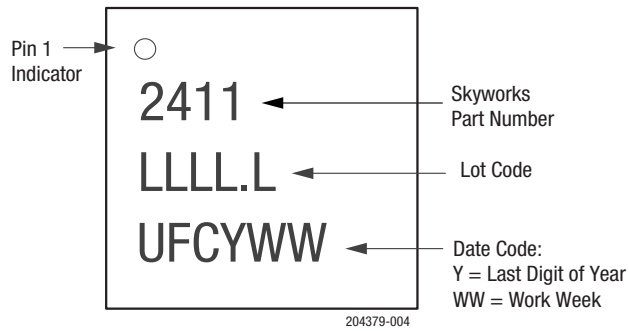
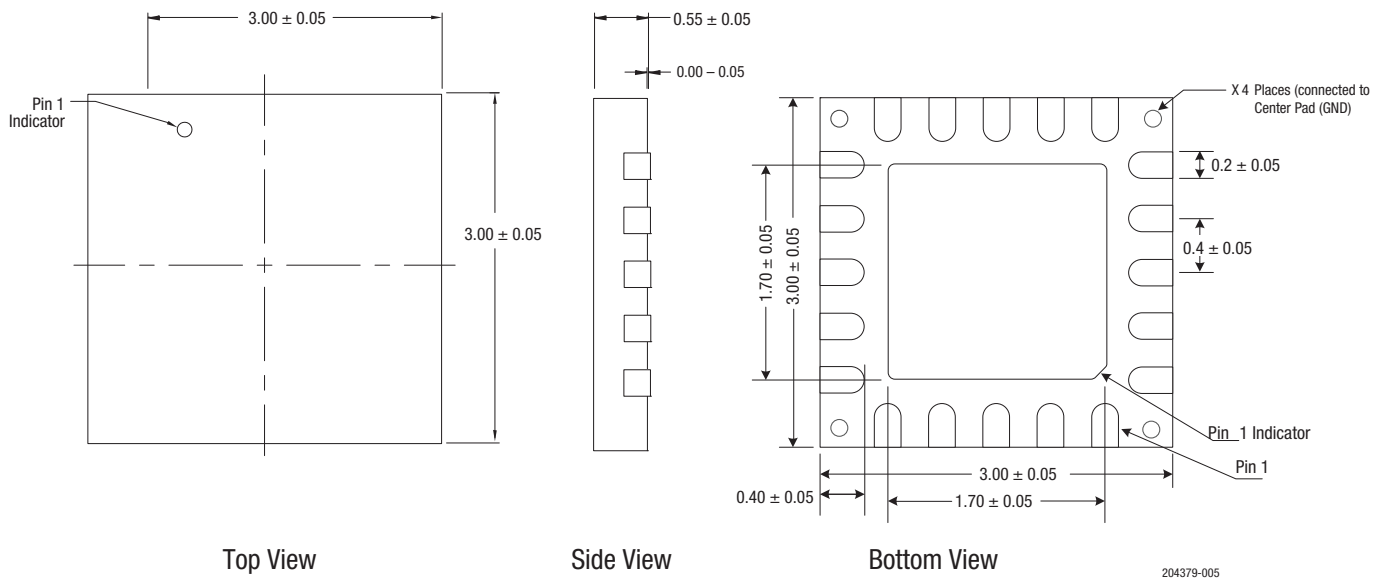


Figure 4. Typical Part Markings (Top View)



All dimensions are in millimeters.

Figure 5. RFX2411 Package Dimensions

DATA SHEET • RFX2411: 2.4 GHz TRANSMIT/RECEIVE ZIGBEE® RFEIC WITH DIVERSITY SWITCH

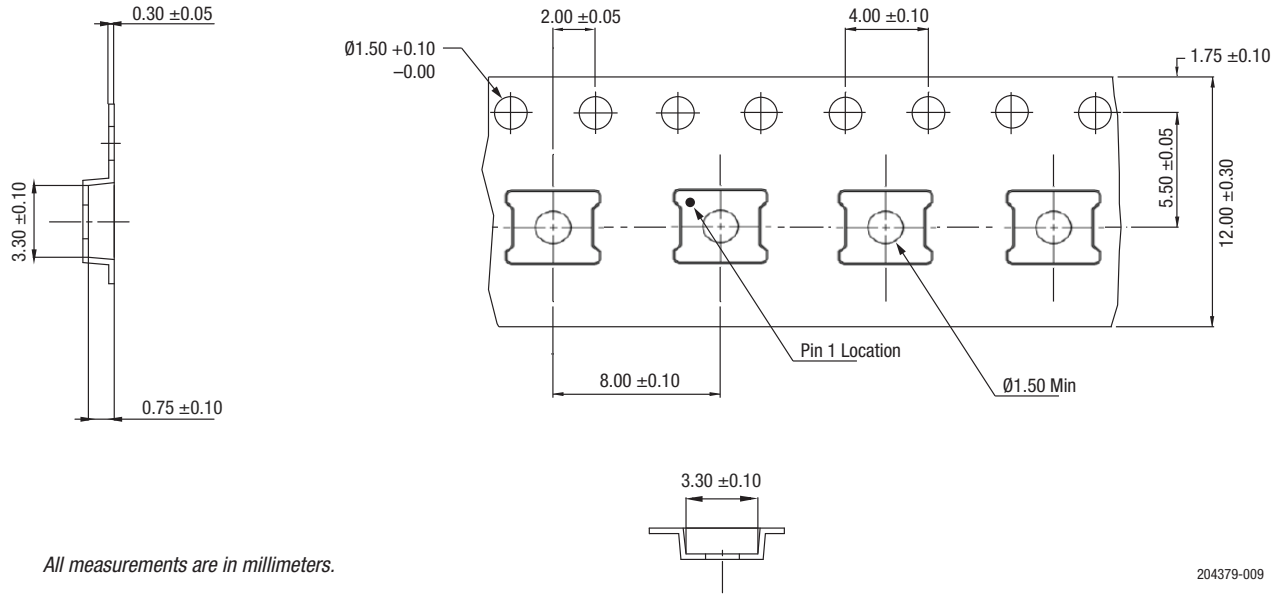


Figure 6. RFX2411 Tape and Reel Dimensions

Ordering Information

Model Name	Manufacturing Part Number	Evaluation Board Part Number
RFX2411: 2.4 GHz Transmit/Receive Zigbee® RFEIC with Diversity Switch	RFX2411	RFX2411-EK1

Copyright © 2016-2017 Skyworks Solutions, Inc. All Rights Reserved.

Information in this document is provided in connection with Skyworks Solutions, Inc. (“Skyworks”) products or services. These materials, including the information contained herein, are provided by Skyworks as a service to its customers and may be used for informational purposes only by the customer. Skyworks assumes no responsibility for errors or omissions in these materials or the information contained herein. Skyworks may change its documentation, products, services, specifications or product descriptions at any time, without notice. Skyworks makes no commitment to update the materials or information and shall have no responsibility whatsoever for conflicts, incompatibilities, or other difficulties arising from any future changes.

No license, whether express, implied, by estoppel or otherwise, is granted to any intellectual property rights by this document. Skyworks assumes no liability for any materials, products or information provided hereunder, including the sale, distribution, reproduction or use of Skyworks products, information or materials, except as may be provided in Skyworks Terms and Conditions of Sale.

THE MATERIALS, PRODUCTS AND INFORMATION ARE PROVIDED “AS IS” WITHOUT WARRANTY OF ANY KIND, WHETHER EXPRESS, IMPLIED, STATUTORY, OR OTHERWISE, INCLUDING FITNESS FOR A PARTICULAR PURPOSE OR USE, MERCHANTABILITY, PERFORMANCE, QUALITY OR NON-INFRINGEMENT OF ANY INTELLECTUAL PROPERTY RIGHT; ALL SUCH WARRANTIES ARE HEREBY EXPRESSLY DISCLAIMED. SKYWORKS DOES NOT WARRANT THE ACCURACY OR COMPLETENESS OF THE INFORMATION, TEXT, GRAPHICS OR OTHER ITEMS CONTAINED WITHIN THESE MATERIALS. SKYWORKS SHALL NOT BE LIABLE FOR ANY DAMAGES, INCLUDING BUT NOT LIMITED TO ANY SPECIAL, INDIRECT, INCIDENTAL, STATUTORY, OR CONSEQUENTIAL DAMAGES, INCLUDING WITHOUT LIMITATION, LOST REVENUES OR LOST PROFITS THAT MAY RESULT FROM THE USE OF THE MATERIALS OR INFORMATION, WHETHER OR NOT THE RECIPIENT OF MATERIALS HAS BEEN ADVISED OF THE POSSIBILITY OF SUCH DAMAGE.

Skyworks products are not intended for use in medical, lifesaving or life-sustaining applications, or other equipment in which the failure of the Skyworks products could lead to personal injury, death, physical or environmental damage. Skyworks customers using or selling Skyworks products for use in such applications do so at their own risk and agree to fully indemnify Skyworks for any damages resulting from such improper use or sale.

Customers are responsible for their products and applications using Skyworks products, which may deviate from published specifications as a result of design defects, errors, or operation of products outside of published parameters or design specifications. Customers should include design and operating safeguards to minimize these and other risks. Skyworks assumes no liability for applications assistance, customer product design, or damage to any equipment resulting from the use of Skyworks products outside of stated published specifications or parameters.

Skyworks and the Skyworks symbol are trademarks or registered trademarks of Skyworks Solutions, Inc., in the United States and other countries. Third-party brands and names are for identification purposes only, and are the property of their respective owners. Additional information, including relevant terms and conditions, posted at www.skyworksinc.com, are incorporated by reference.